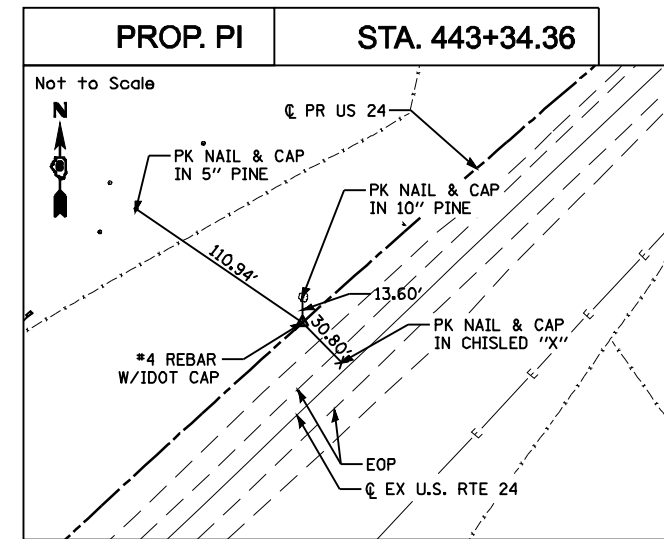
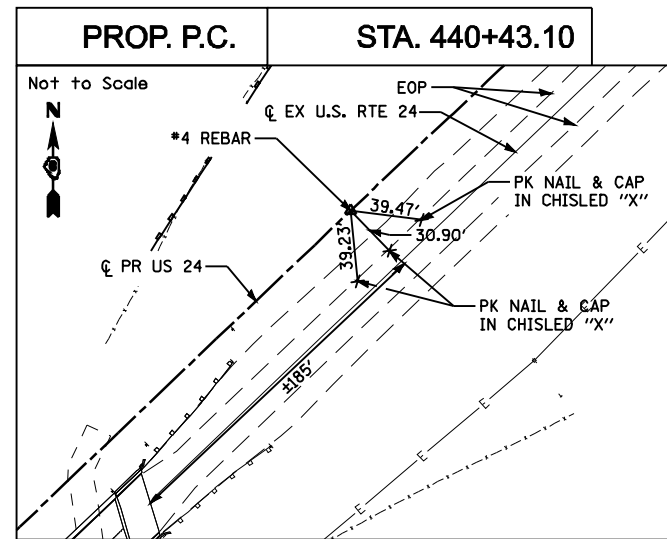
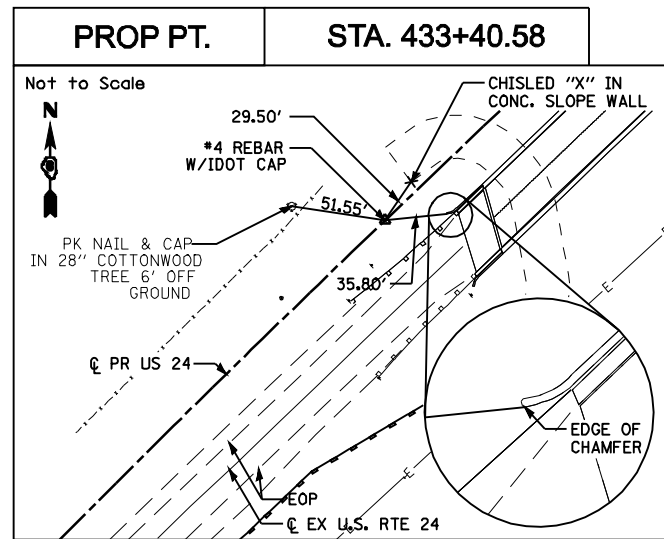
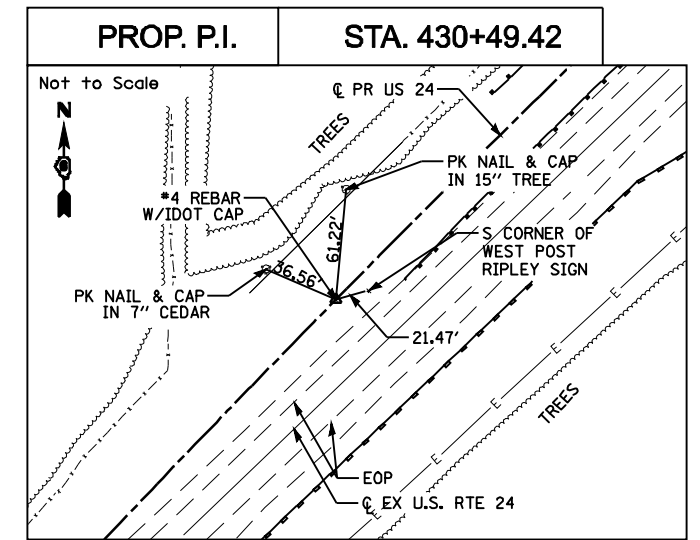
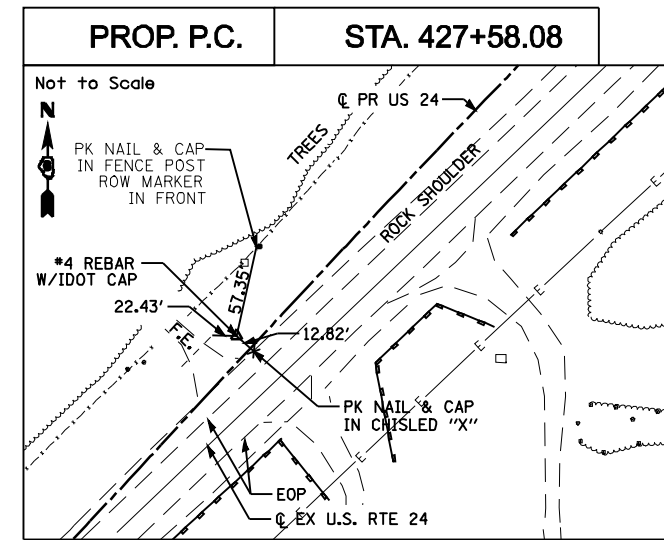
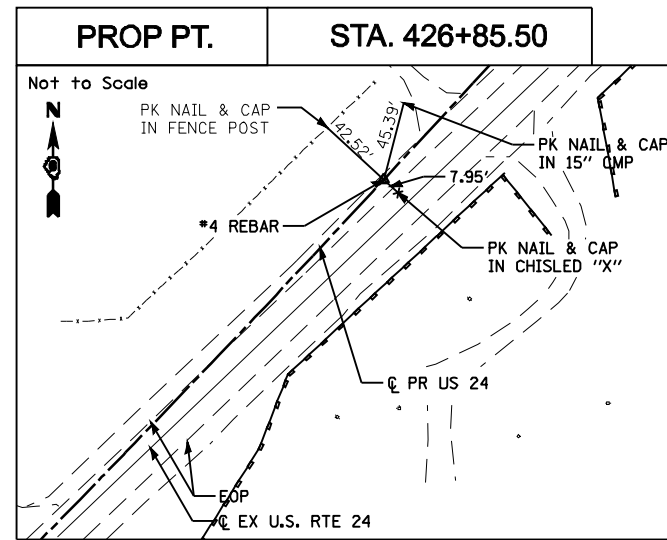
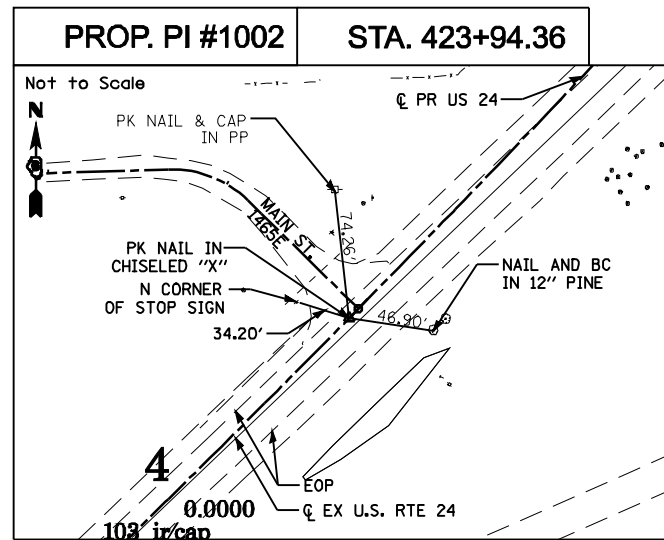
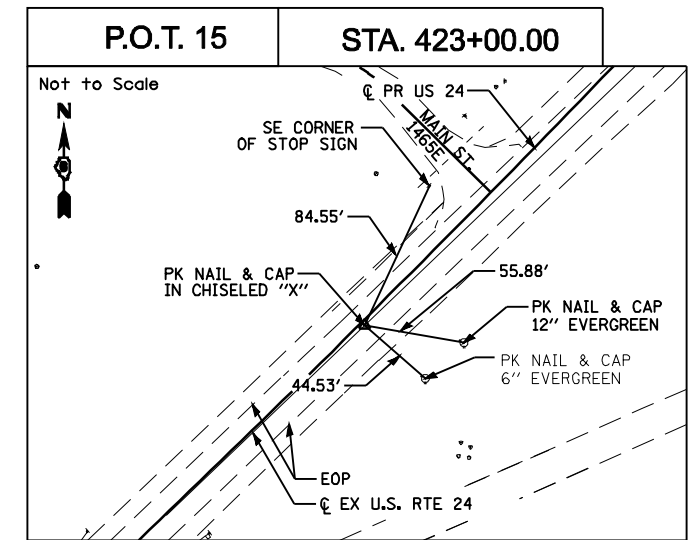
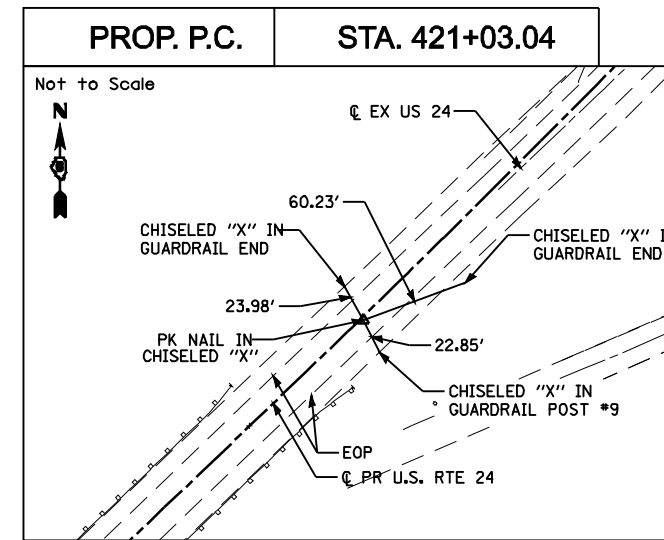
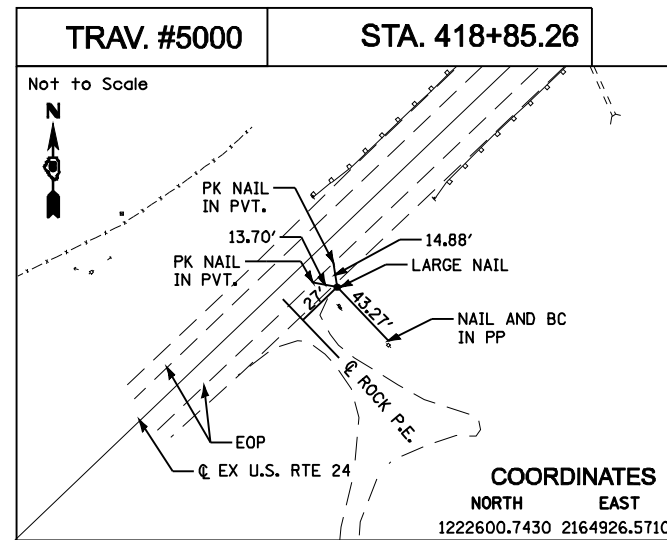
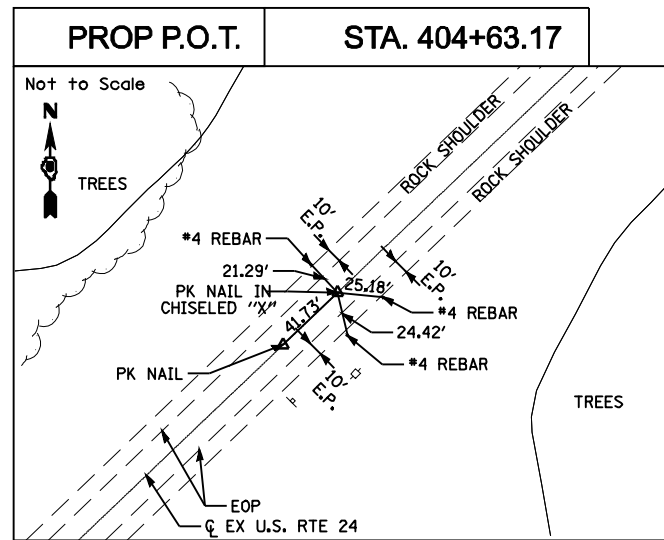


STATE OF ILLINOIS
DEPARTMENT OF TRANSPORTATION

F.A.P. RTE.	SECTION	COUNTY	TOTAL SHEETS	SHEET NO.
317	**	*	196	77
STA. 420+00.00 TO STA. 454+00.00				
FED. ROAD DIST. NO. ILLINOIS FED. AID PROJECT				
* BROWN & SCHUYLER CONTRACT NO. 72432				
** 9RS-4, (10,11) RS-3; (10B-1) R				
SHEET 5 OF 123				



HORIZONTAL & VERTICAL CONTROL TIE POINTS

SHEET 2 OF 3

US 24 OVER LAMOINE RIVER

F.A.P. RTE 317 (US RTE 24)

SECTION 9RS-4, (10,11) RS-3; (10B-1) R

BROWN & SCHUYLER COUNTY