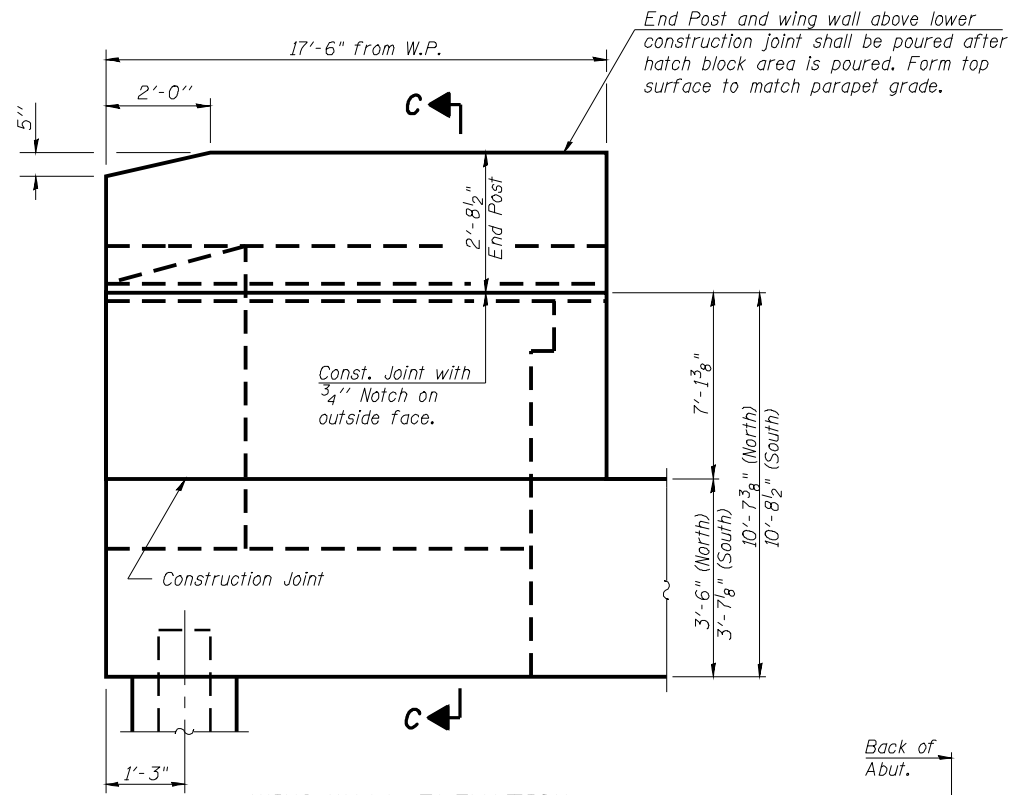
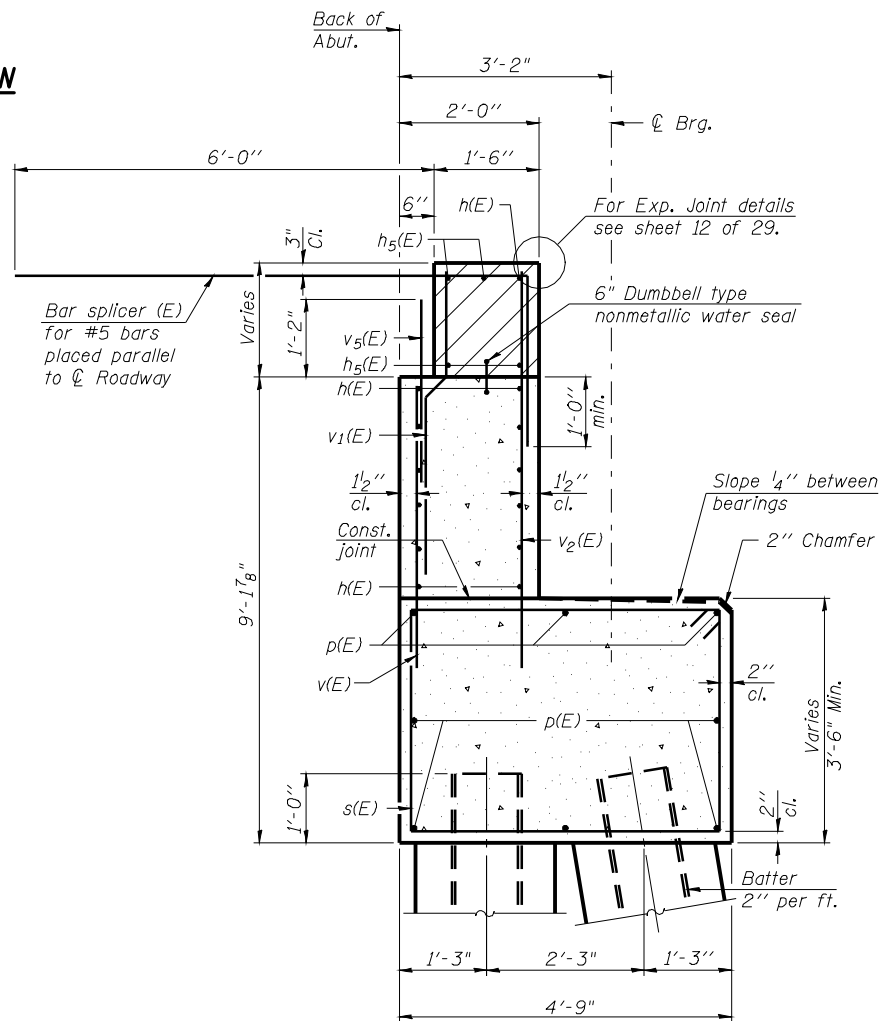


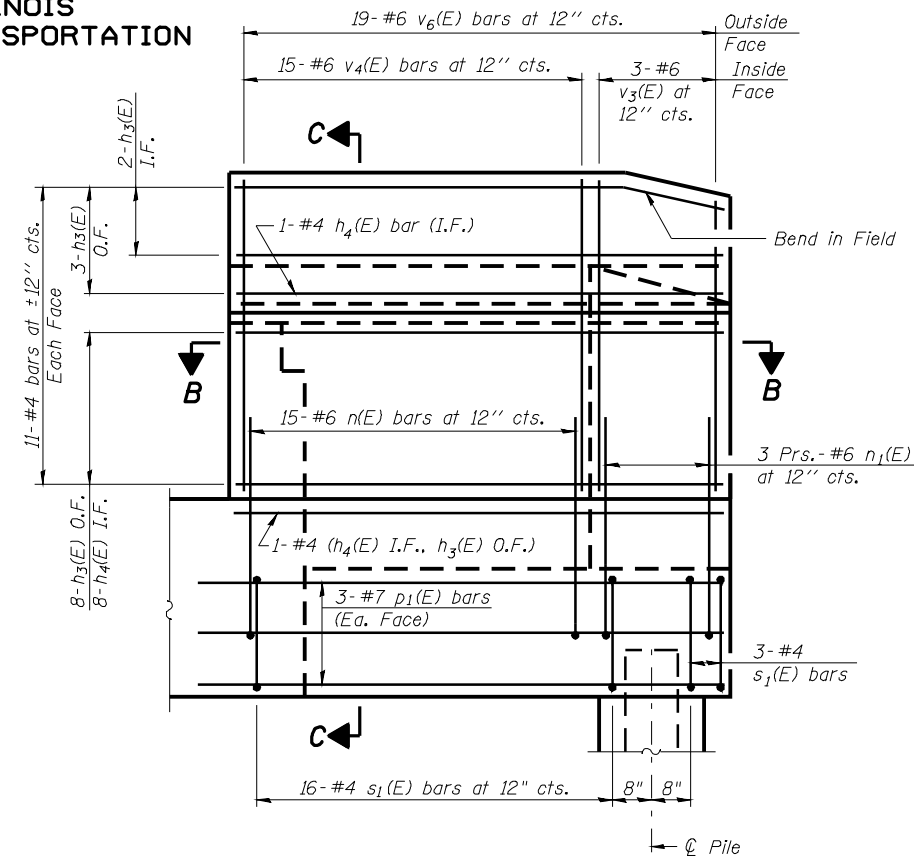
STATE OF ILLINOIS
DEPARTMENT OF TRANSPORTATION



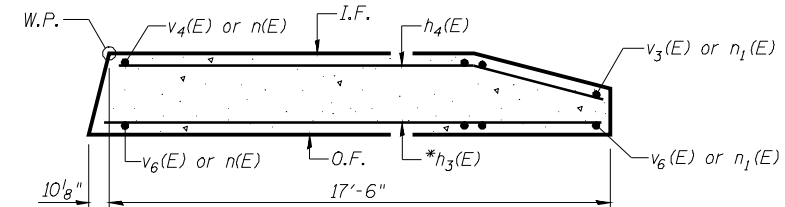
WING WALL ELEVATION
Showing Dimensions



SEC. THRU ABUT.
(At Rt. L's to Abut.)



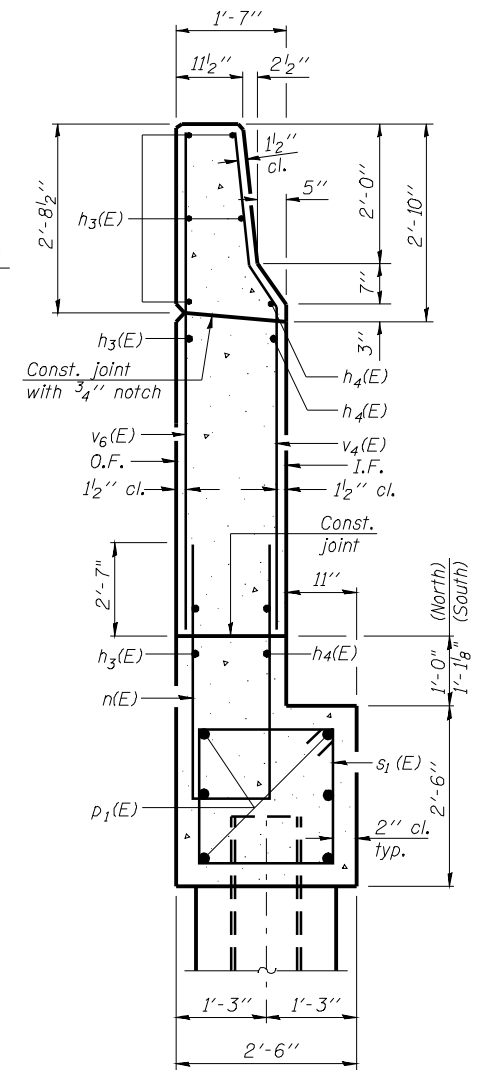
WING WALL ELEVATION
Showing Reinforcement



SECTION B-B

(South Wing shown, North similar)

*Cut to fit at North wall



SECTION C-C

Notes:

- Hatched area to be poured after superstructure false work has been removed. Quantity of concrete included with Concrete Superstructure.
- Space reinforcement in cap to miss anchor bolts.
- Pour steps monolithically with cap.
- Quantity of concrete in end post included with Concrete Superstructure on sheet 9 of 29.
- For Concrete Encasement details, see sheet 25 of 29.
- Work this sheet with sheet 20 of 29.

EAST ABUTMENT DETAILS
STRUCTURE NO. 005-0500

<p>LIN ENGINEERING, LTD. Consulting Engineers Chatham, Illinois</p>	SHEET NO. 21	F.A.P. RTE. 317	SECTION (10B-1)R	COUNTY BROWN/SCHUYLER	TOTAL SHEETS 196	SHEET NO. 140
	29 SHEETS	CONTRACT NO. 72432			ILLINOIS FED. AID PROJECT	