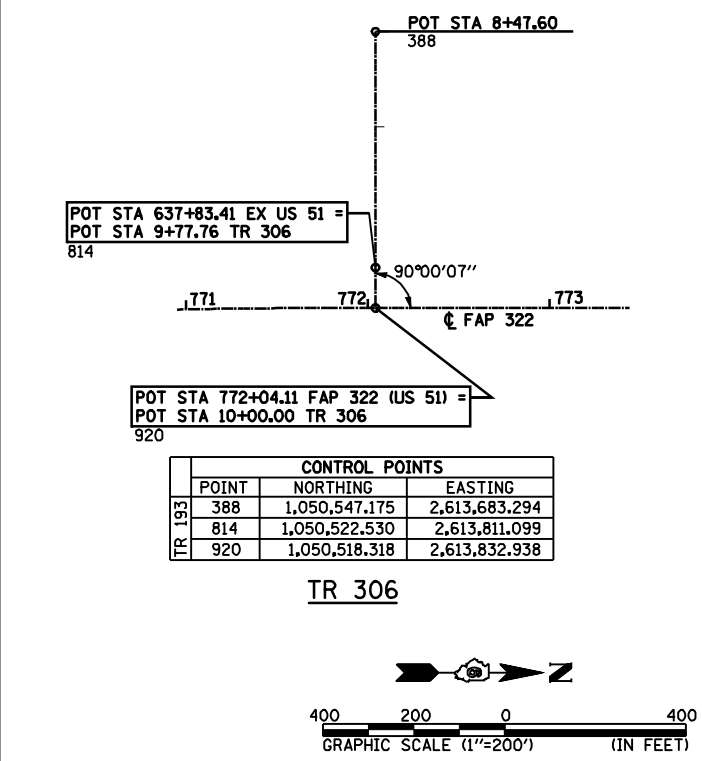
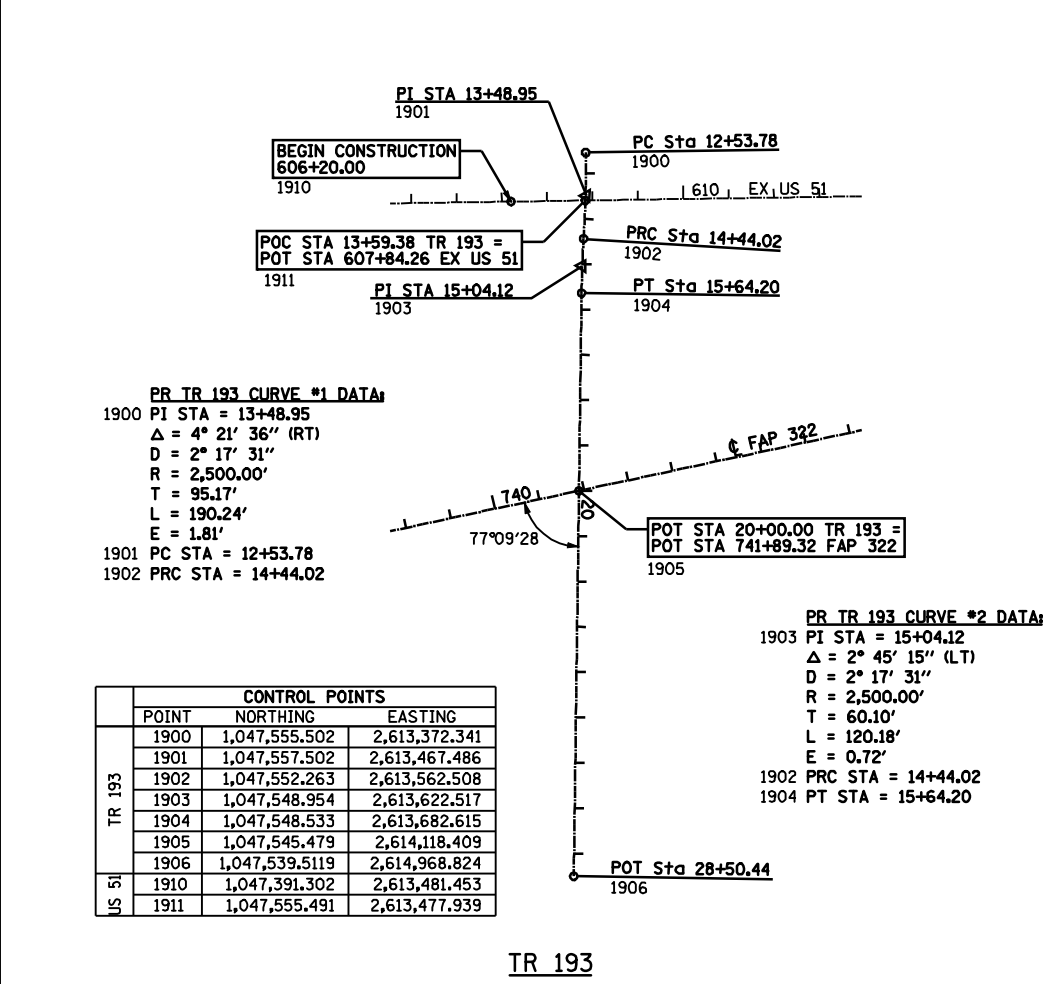
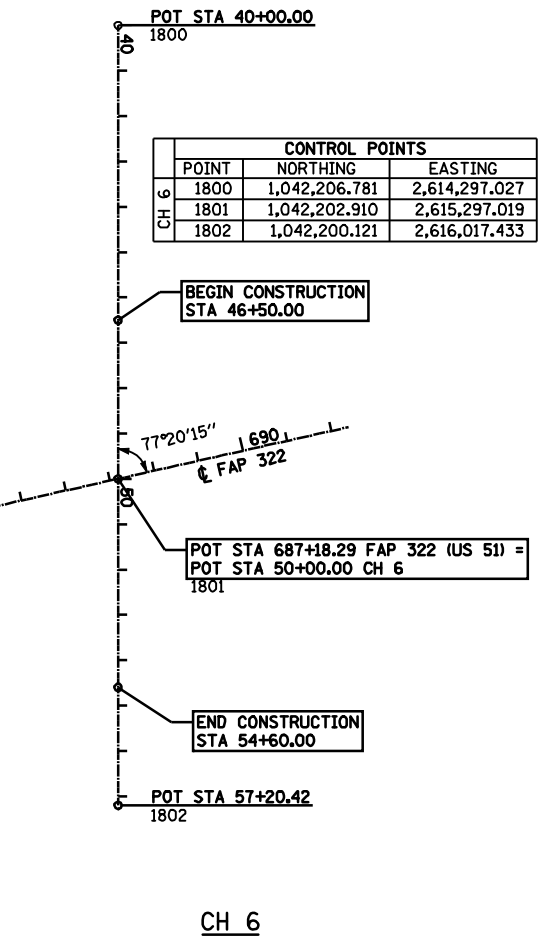
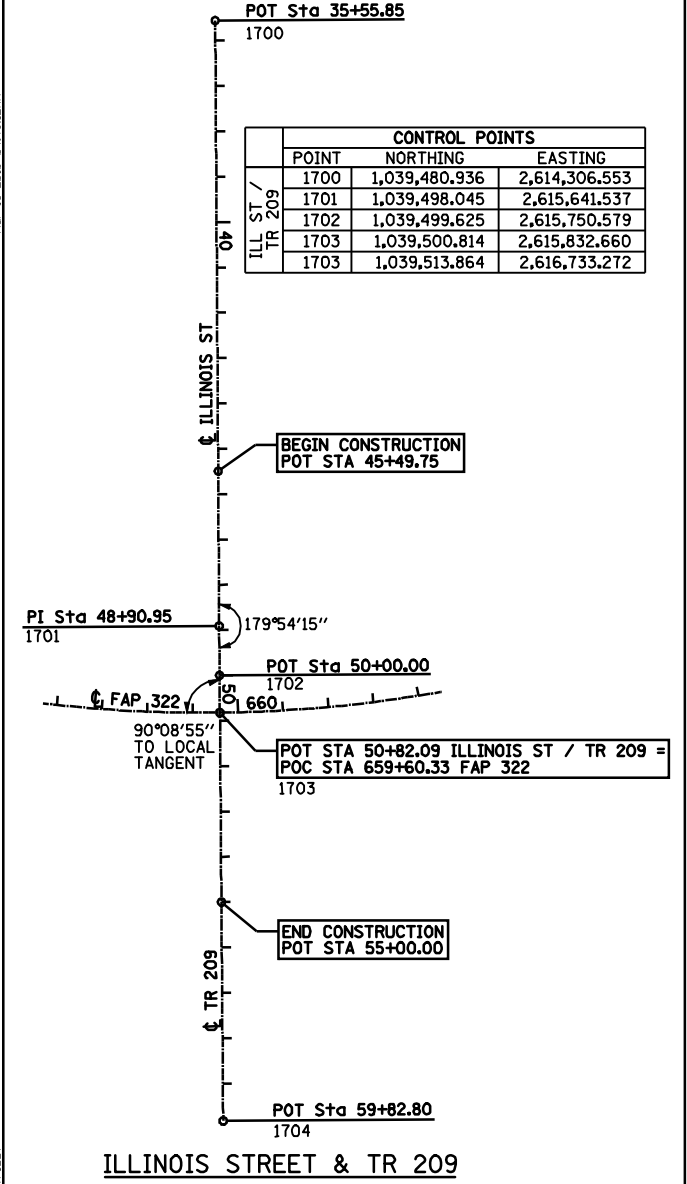
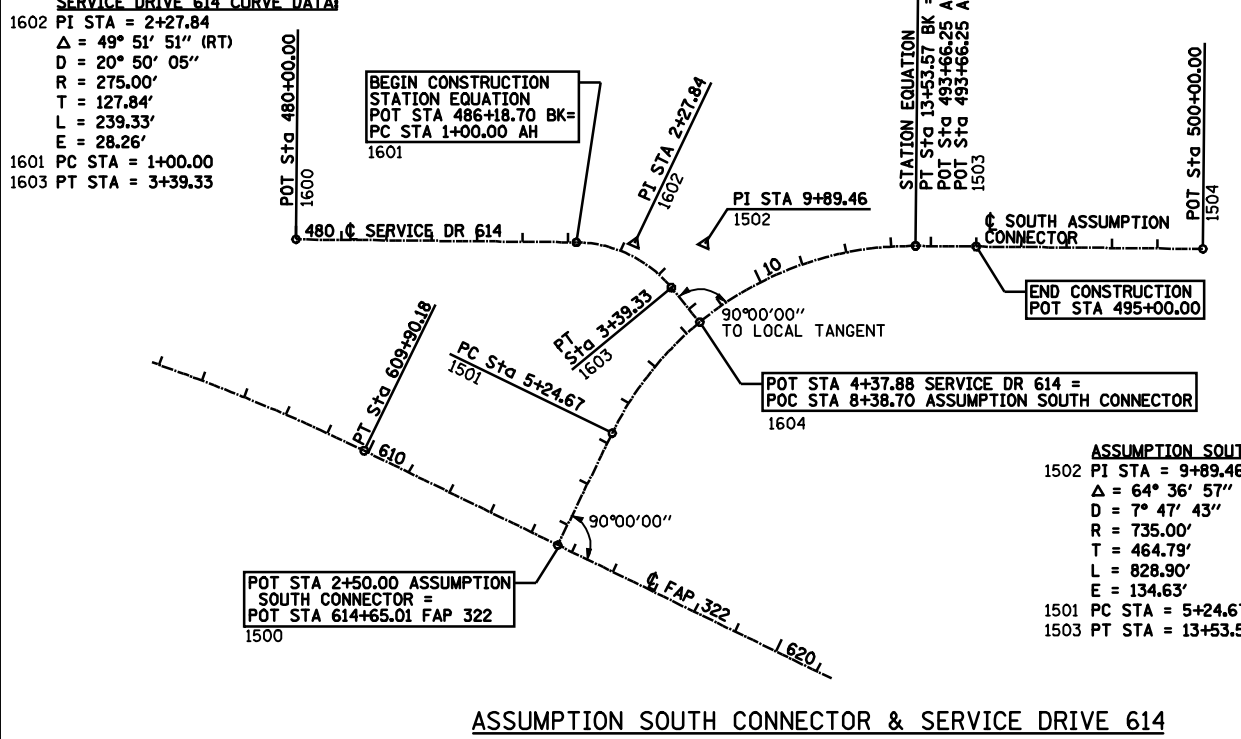
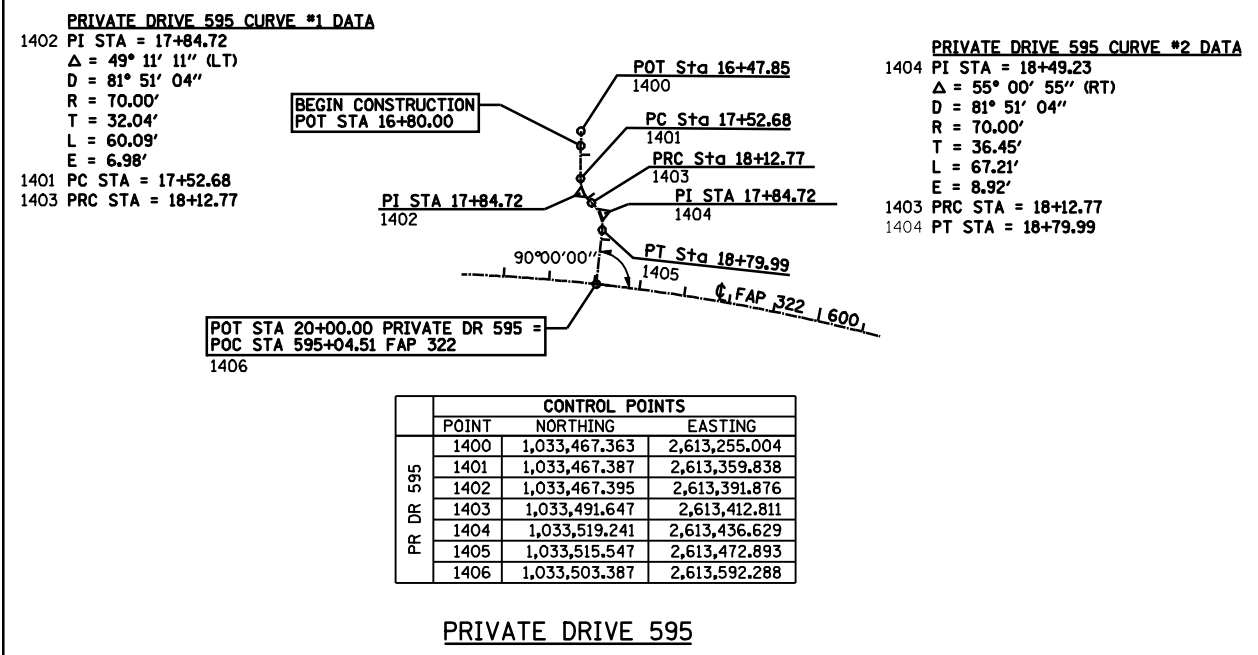


F.A.P. RTE.	SECTION	COUNTY	TOTAL SHEETS	SHEET NO.
322	11-12	CHRISTIAN	284	43
STA.		TO STA.		
FED. ROAD DIST. NO.		ILLINOIS FED. AID PROJECT		



REVISIONS	
NAME	DATE

ILLINOIS DEPARTMENT OF TRANSPORTATION
 ALIGNMENT & BENCHMARK DATA
 SHEET 3 OF 3
 FAP 322 (US 51)
 SECTION 11-12
 CHRISTIAN COUNTY

SCALE: 1"=200'
 DATE: 8/22/06
 DRAWN BY: SEB
 CHECKED BY: TLD

MO-15-2018 @146124M

S:FILE4