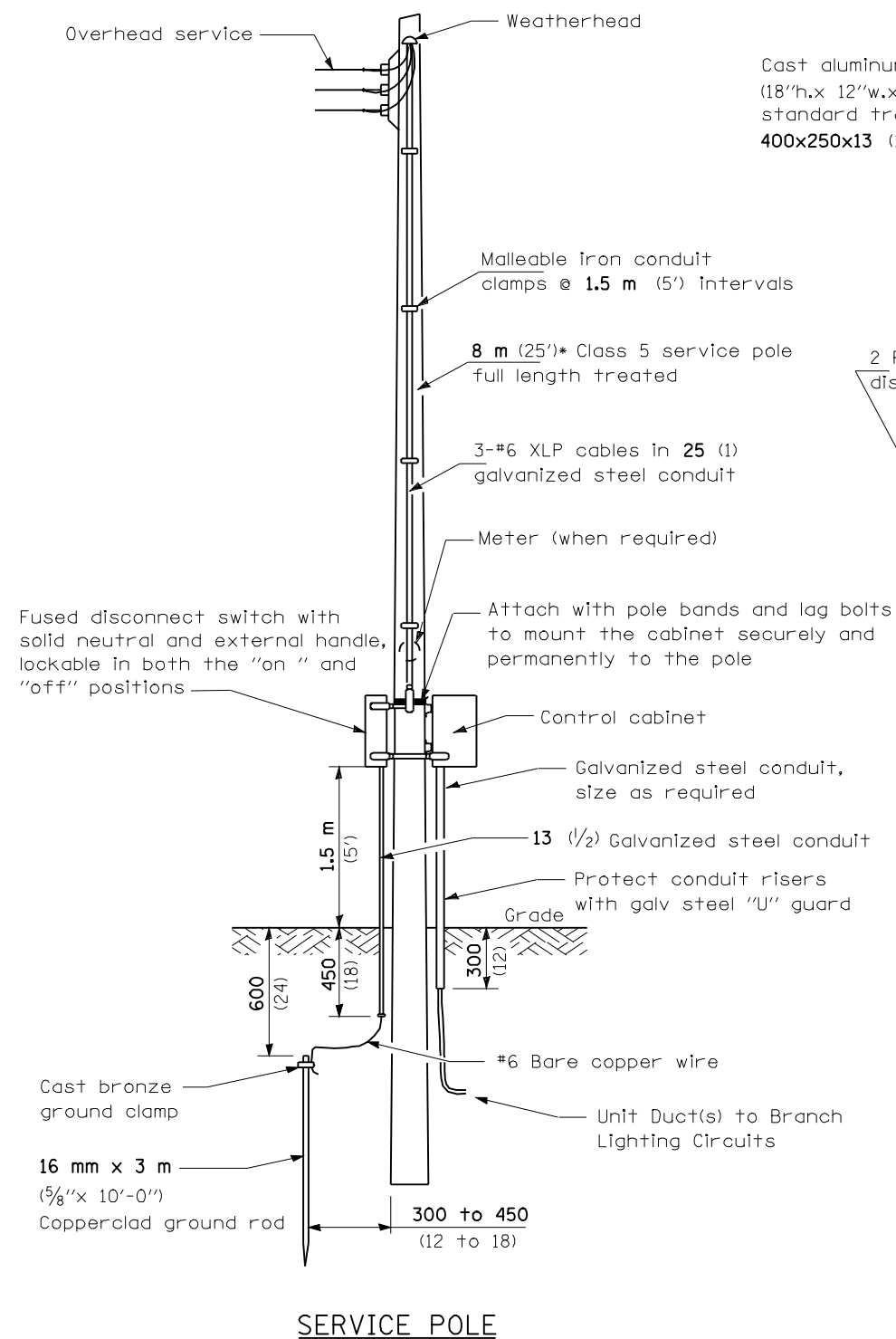
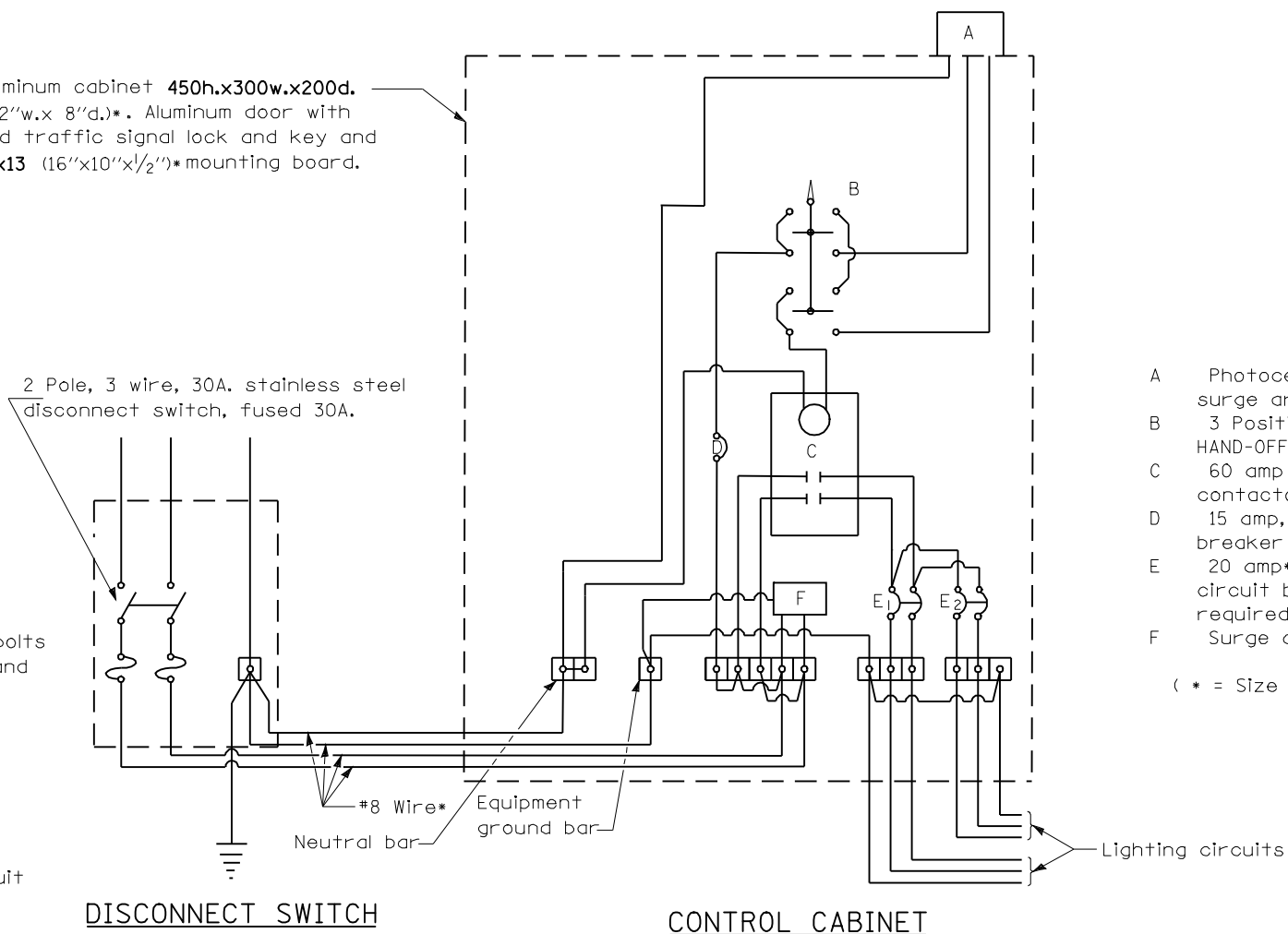


F.A.P. RTE.	SECTION	COUNTY	TOTAL SHEETS	SHEET NO.
322	11-12	CHRISTIAN	284	133
STA.		TO STA.		
FED. ROAD DIST. NO.	ILLINOIS	FED. AID PROJECT		

120/240V., 1 PHASE, 3 WIRE SERVICE



Cast aluminum cabinet 450h.x300w.x200d. (18"h.x 12"w.x 8"d.)*. Aluminum door with standard traffic signal lock and key and 400x250x13 (16"x10"x1/2")* mounting board.



- A Photocell with integral surge arrester
 - B 3 Position selector switch HAND-OFF-AUTO
 - C 60 amp electrically held contactor
 - D 15 amp, 1 pole, circuit breaker
 - E 20 amp*, 2 pole, branch circuit breaker. Two breakers required, even if one is spare
 - F Surge arrester
- (* = Size larger as needed)

GENERAL NOTES

Wiring shall be panel board fashion. All bends shall be right angles. All runs shall be vertical or parallel to panel board. Wires shall be grouped or laced.

All control installation components shall be U.L. listed.

Label equipment ground and neutral.

Locate service pole and control installation adjacent to R.O.W. line with a minimum distance of 9 m (30') from the edge of pavement. Exact location shall be established by the Engineer.

The total distance between the control installation and primary transformer shall not exceed 76 m (250').

This detail shall only be used for intersection lighting or systems with minimal load and small number of luminaires.

CONTROL INSTALLATION SERVICE POLE MOUNTED

REVISIONS	
NAME	DATE

ILLINOIS DEPARTMENT OF TRANSPORTATION
 LIGHTING PLAN -
 LIGHTING DETAILS 1 OF 5
 FAP 322 (US 51)
 SECTION 11-12
 CHRISTIAN COUNTY

SCALE: NONE DRAWN BY IDOT
 DATE CHECKED BY

Mo-15-2018 12:28:37PM

FILE