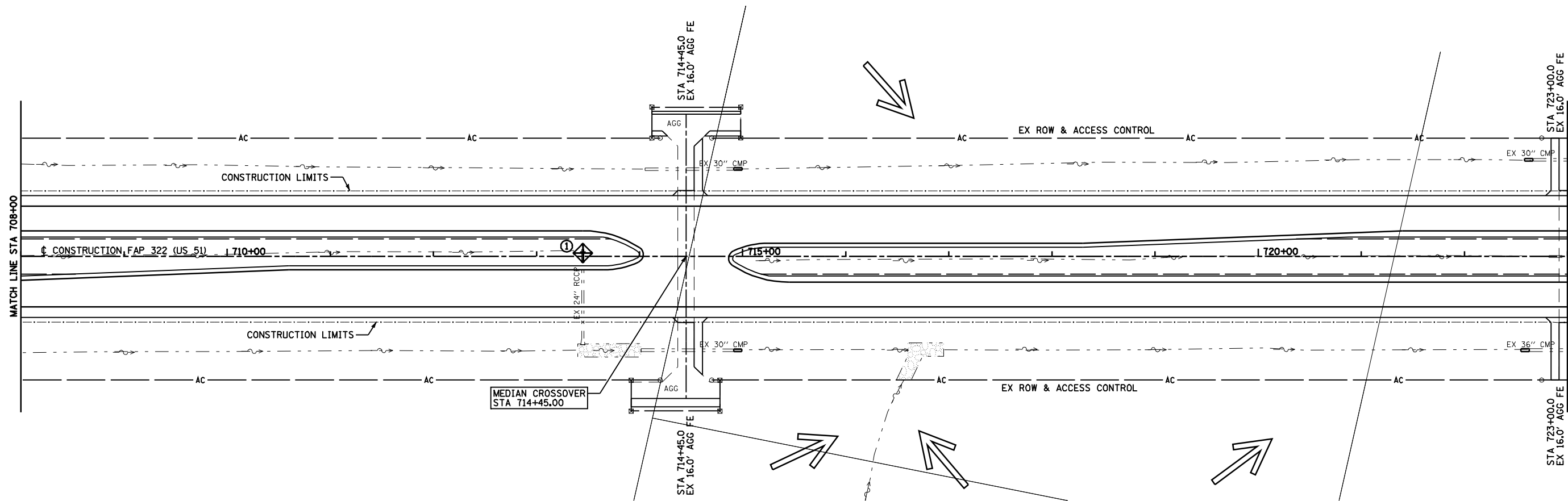
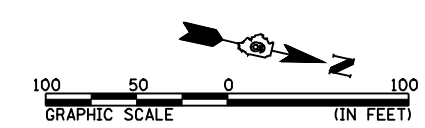


F.A.P. RTE.	SECTION	COUNTY	TOTAL SHEETS	SHEET NO.
322	11-12	CHRISTIAN	284	160
STA.		TO STA.		
FED. ROAD DIST. NO.	ILLINOIS	FED. AID PROJECT		



NW 1/4 SEC 36, T13N, R1E, 3RD PM



REVISIONS	
NAME	DATE

ILLINOIS DEPARTMENT OF TRANSPORTATION
 STORM WATER POLLUTION PREVENTION PLAN
 FAP 322 (US 51)
 SECTION 11-12
 CHRISTIAN COUNTY

SCALE: 1"=50' DRAWN BY: BGD
 DATE: 8/22/06 CHECKED BY: SEB

FAP 322 (US 51) STA 708+00 TO STA 723+00

Mo-15-2018 1:22:40 PM

\$FILE\$