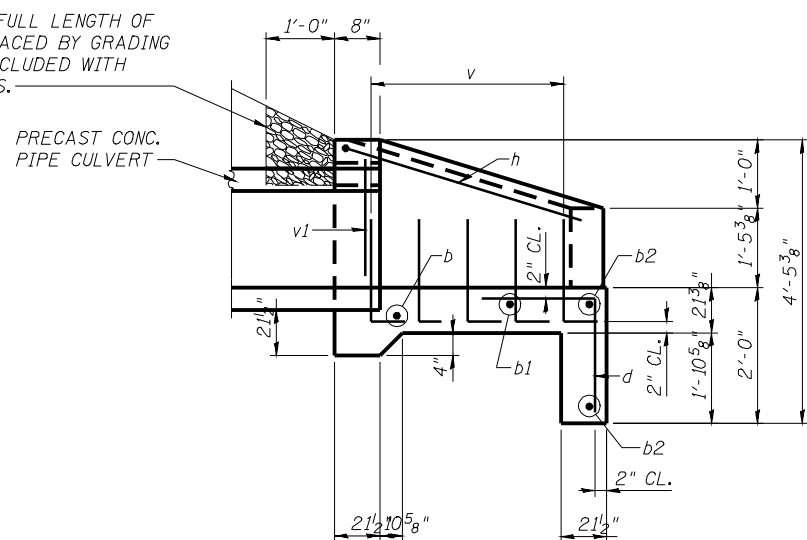
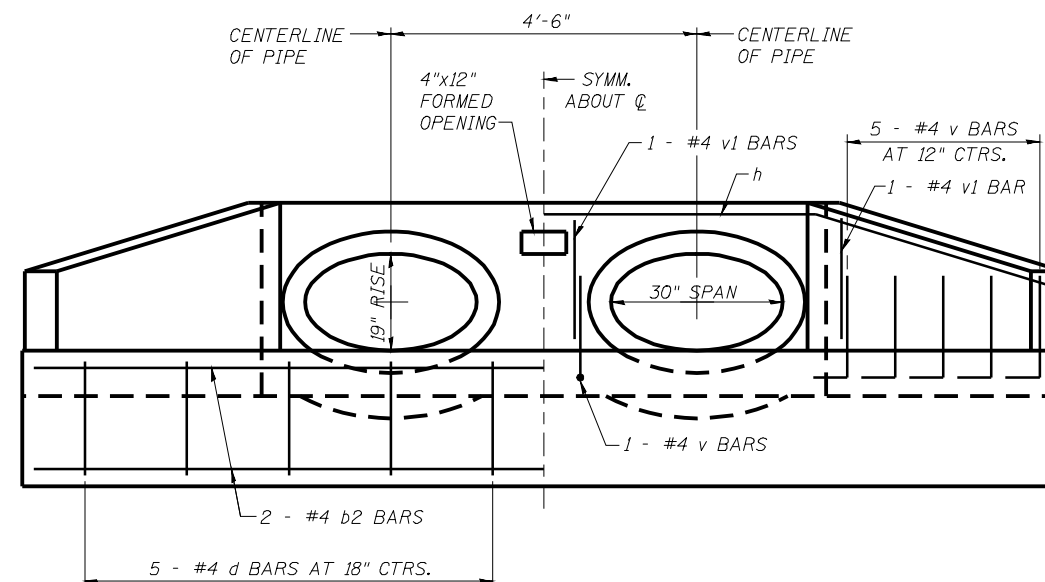


F.A.P. RTE.	SECTION	COUNTY	TOTAL SHEETS	SHEET NO.
322	11-12	CHRISTIAN	284	170
STA.	TO STA.			
FED. ROAD DIST. NO.	ILLINOIS	FED. AID PROJECT		

COARSE AGGREGATE FULL LENGTH OF HEADWALL. TO BE PLACED BY GRADING CONTRACTOR. COST INCLUDED WITH CONCRETE HEADWALLS.



SECTION A-A



END ELEVATION

BILL OF MATERIAL

Bar	No.	Size	Length	Shape
b	1	#4	9'-8"	—
b1	1	#4	12'-10"	—
b2	2	#4	15'-0"	—
d	10	#4	3'-4"	└
h	1	#4	17'-10"	⤿
v	12	#4	3'-0"	└
v1	4	#4	1'-8"	—
CONCRETE HEADWALLS			CU YD	2.4
REINFORCEMENT BARS			POUND	100

NOTES:

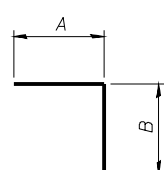
TABLE FOR (1) HEADWALL ONLY. TWO (2) HEADWALLS REQUIRED. BAR DIMENSIONS ARE OUT TO OUT.

CONCRETE HEADWALLS SHALL BE USED THROUGHOUT.

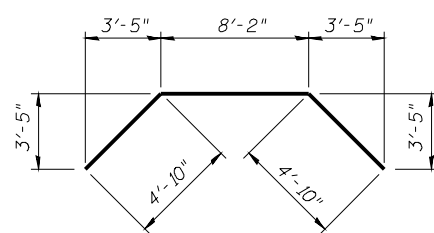
EXPOSED EDGES SHALL BE BEVELED 3/4".

REINFORCEMENT BARS SHALL CONFORM TO THE REQUIREMENTS OF ASSHTO M-31, M-42, M-53, GRADE 60

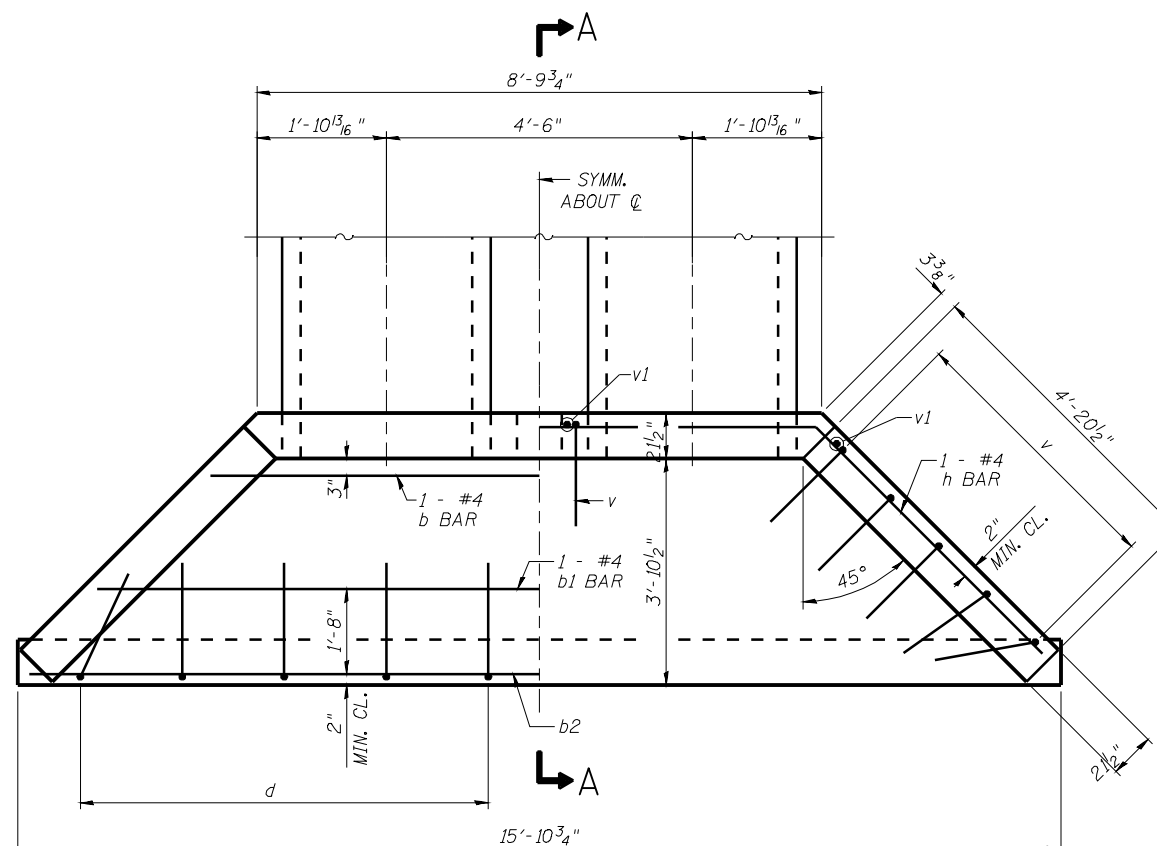
NOT TO SCALE OR PROPER ORIENTATION.



Bar	A	B
d	1'-8"	1'-8"
v	1'-6"	1'-6"



BAR h



PLAN

SHEET #1 OF 1

REVISIONS	
NAME	DATE

ILLINOIS DEPARTMENT OF TRANSPORTATION
 CAST-IN-PLACE END SECTIONS
 TR 229A (STA 18+65.0)
 FAP 322 (US 51)
 SECTION 11-12
 CHRISTIAN COUNTY

SCALE: NOT TO SCALE
 DATE: 8/22/06
 DRAWN BY: EAW
 CHECKED BY: ADL