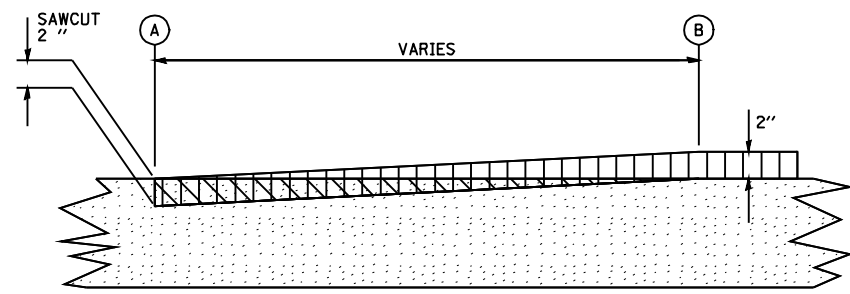


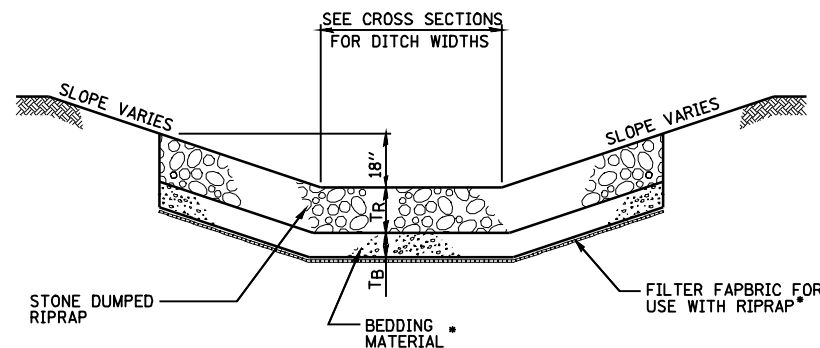
F.A.P. RTE.	SECTION	COUNTY	TOTAL SHEETS	SHEET NO.
322	11-12	CHRISTIAN	284	174
STA.	TO STA.			
FED. ROAD DIST. NO.	ILLINOIS	FED. AID PROJECT		



- PROPOSED HOT-MIX ASPHALT SURFACE REMOVAL - BUTT JOINT
- PROPOSED HOT-MIX ASPHALT SURFACE COURSE
- EXISTING HOT-MIX ASPHALT PAVEMENT OR OVERLAY

LOCATION	A	B
EX US 51	423+06.98	423+26.98

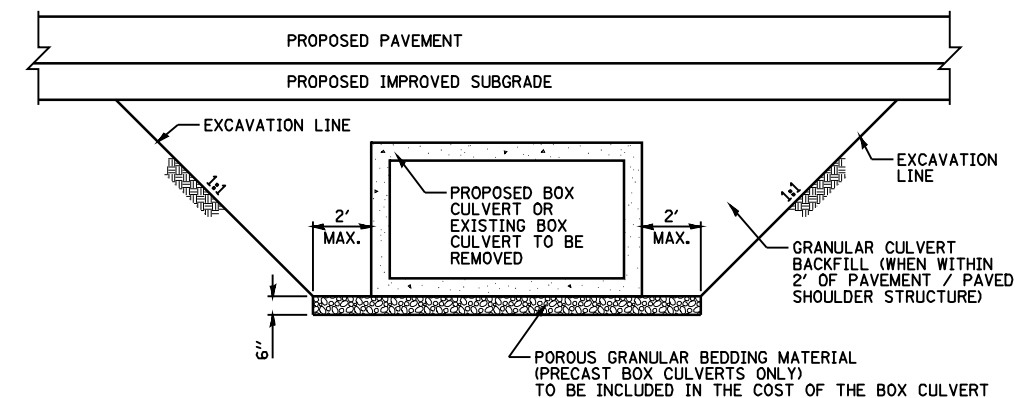
BUTT JOINT DETAIL



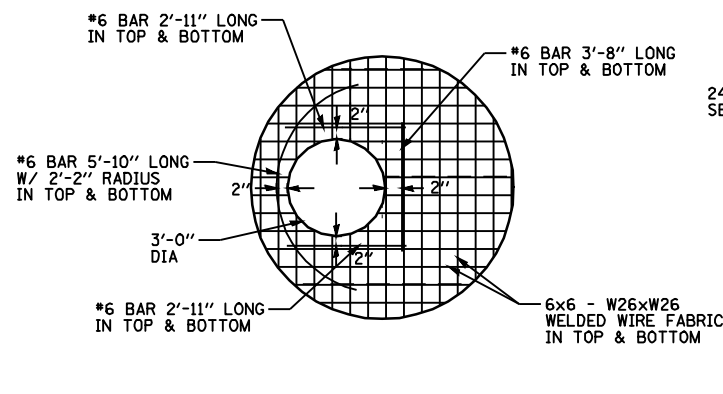
RIPRAP CLASS	RIPRAP THICKNESS (TR)	BEDDING THICKNESS (TB)
B3	12"	•
A4	16"	6"
A5	22"	8"

*STONE DUMP RIPRAP CLASS B-3 HAS NO BEDDING MATERIAL OR FILTER FABRIC UNLESS IN SANDY SOILS.

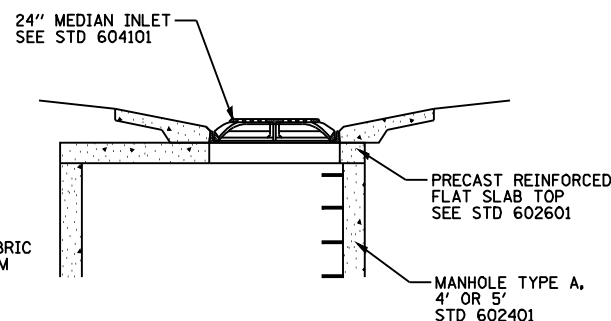
TYPICAL STONE RIPRAP DITCH LINING
SEE SCHEDULE FOR INSTALLATION LOCATIONS



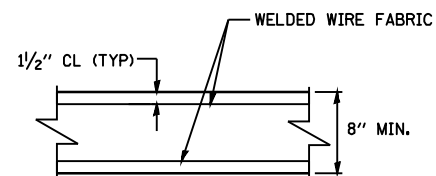
BOX CULVERT EXCAVATION LIMITS
SEE SCHEDULE FOR INSTALLATION LOCATIONS



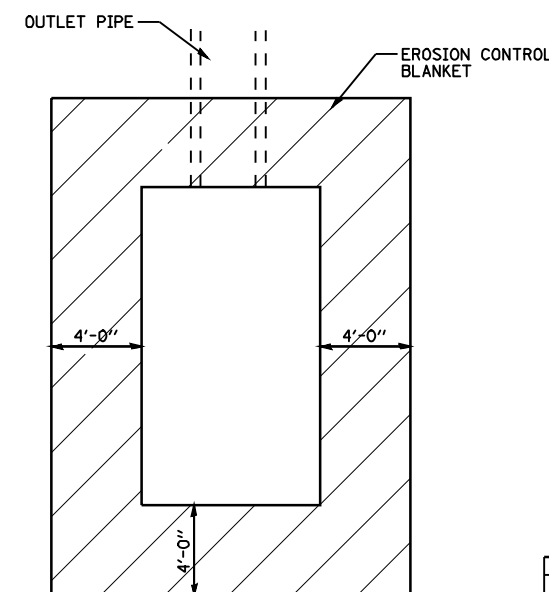
5' FLAT SLAB TOP DETAIL WITH 36" OPENING



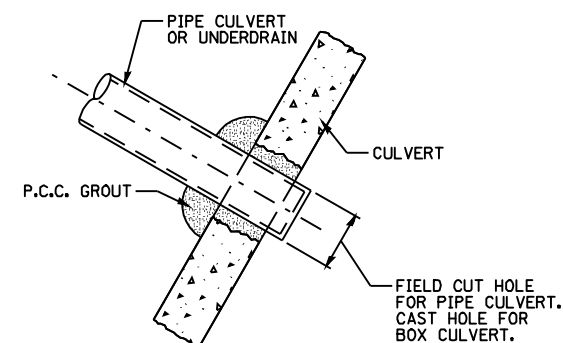
DETAIL OF STANDARD 24" MEDIAN INLET OF FLAT SLAB TOP



TYPICAL SLAB TOP SECTION FOR 5' OR 6' MANHOLES

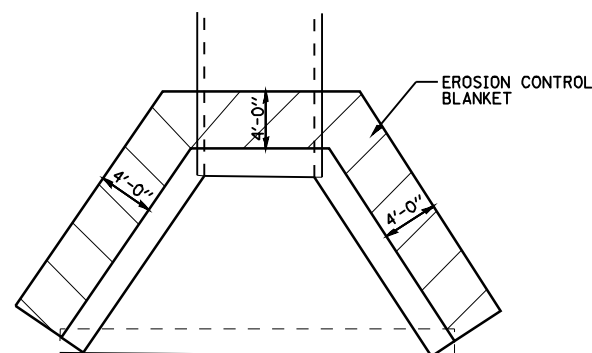


EROSION CONTROL BLANKET AROUND HEADWALL FOR PIPE UNDERDRAIN STD. 601101

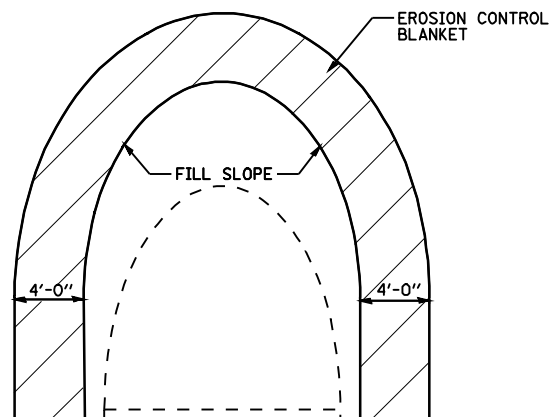


DETAIL OF PLACING PIPE IN CULVERT

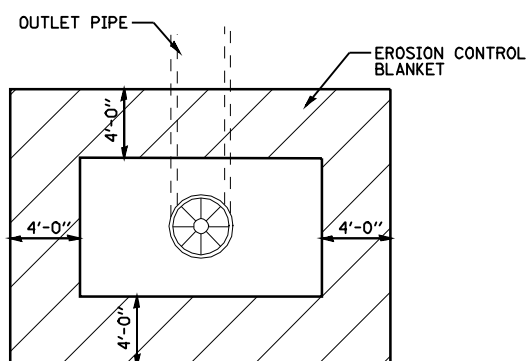
NOTE: COST OF PLACING PIPE IN THE CULVERT SHALL BE INCLUDED IN THE PAY ITEM FOR THE CULVERT OR UNDERDRAIN.



EROSION CONTROL BLANKET AROUND HEADWALLS & CULVERT WINGWALLS



EROSION CONTROL BLANKET AROUND FLARED END SECTION STD. 542301



EROSION CONTROL BLANKET AROUND MEDIAN INLETS STD. 604101 & STD. 604106

REVISIONS	
NAME	DATE

ILLINOIS DEPARTMENT OF TRANSPORTATION

MISCELLANEOUS DETAILS
FAP 322 (US 51)
SECTION 11-12
CHRISTIAN COUNTY

SCALE: None DRAWN BY SEB
DATE 8/22/06 CHECKED BY TLD