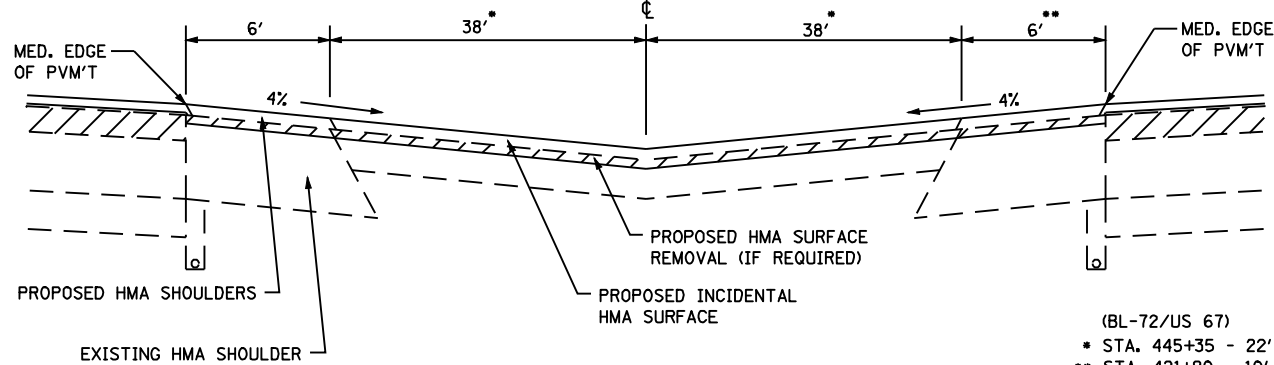
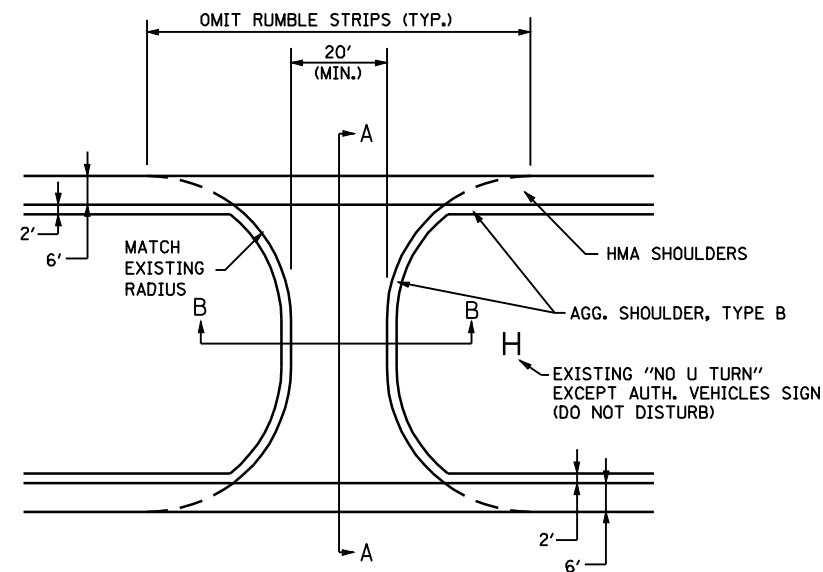
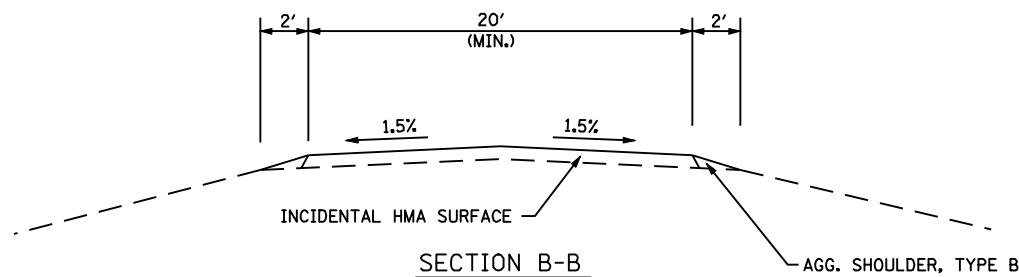


MEDIAN CROSS-OVER DETAIL



(BL-72/US 67)
 * STA. 445+35 - 22'
 ** STA. 421+90 - 10'
 ** STA. 445+35 - 10'

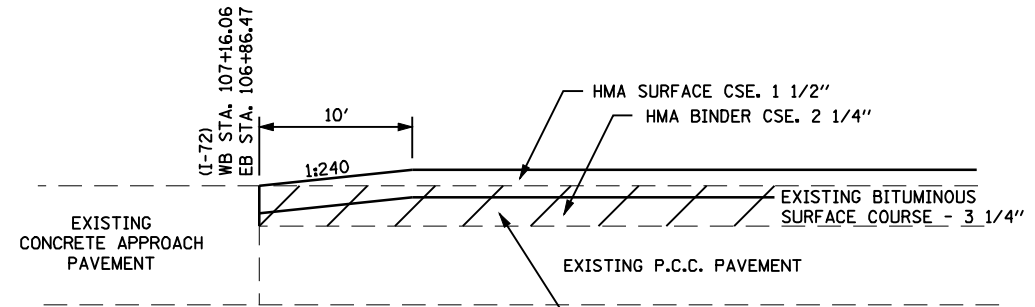
SECTION A-A



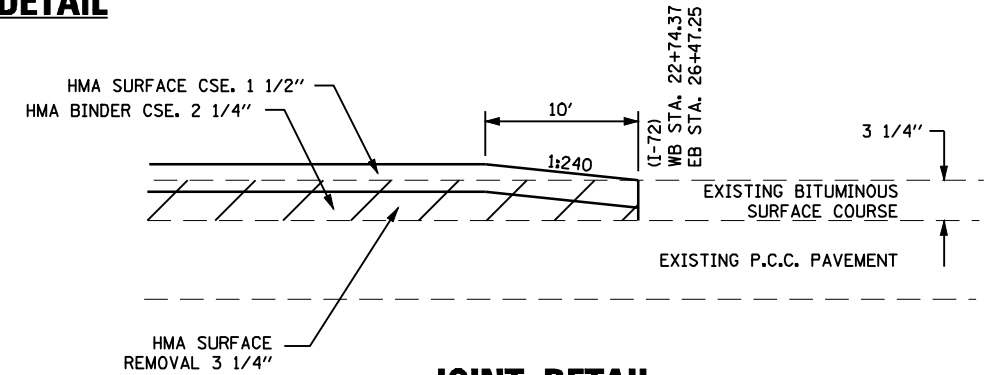
SECTION B-B

LOCATION

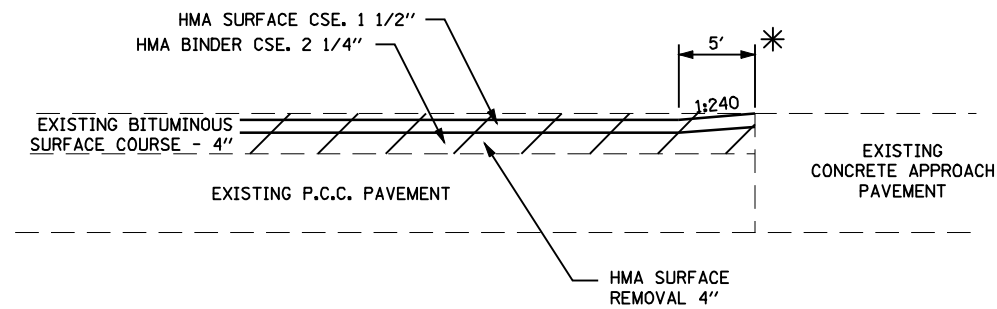
(I-72)	PROP. HMA SURF. REM.	PROP. INCIDENTAL HMA THICKNESS
STA. 260+77	1 1/2"	2"
STA. 435+00	1 1/2"	2"
(BL-72/US 67)	--	3 3/4"
STA. 360+41	--	3 3/4"
STA. 384+16	--	3 3/4"
STA. 421+90	--	3 3/4"
STA. 445+35	--	3 3/4"



JOINT DETAIL

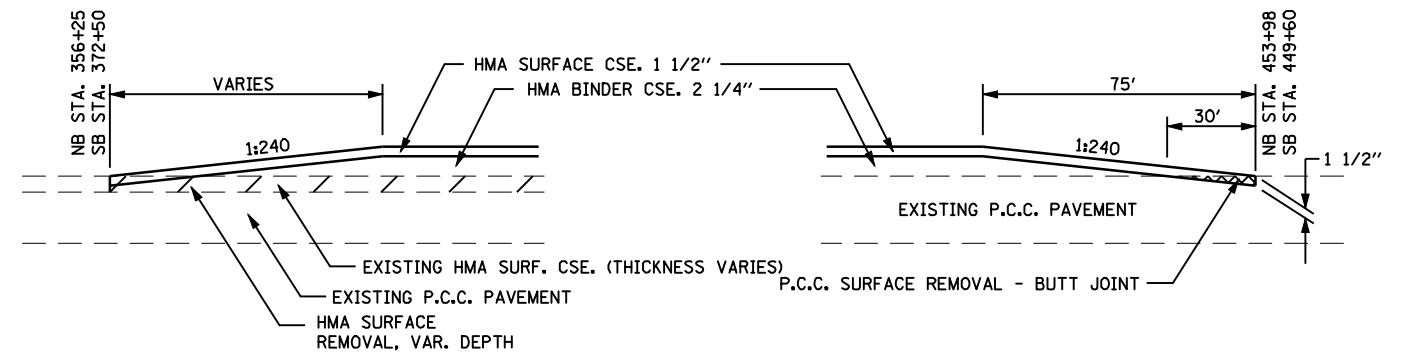


JOINT DETAIL



JOINT DETAIL

* (I-72)
 WB STA. 199+17.81
 EB STA. 198+64.60
 WB STA. 201+33.78
 EB STA. 200+82.53



JOINT DETAIL

BUTT JOINT DETAIL - PCC

(BL-72/US 67)

* 86-10RS-3, 69-6RS-2, 69-1RS
 ** SCOTT, MORGAN

FILE NAME =	USER NAME = laughlinr1	DESIGNED -	REVISED -
er:\pwwork\pwidot\LAUGHLINRL\0196700\0672A16-Sht-detail1.dgn		DRAWN -	REVISED -
	PLOT SCALE = 40.0000 ' / IN.	CHECKED -	REVISED -
	PLOT DATE = Apr-06-2010 10:31:04AM	DATE -	REVISED -

STATE OF ILLINOIS
 DEPARTMENT OF TRANSPORTATION

MEDIAN CROSSOVER, BUTT JOINT
 & JOINT DETAILS

SCALE: SHEET NO. OF SHEETS STA. TO STA.

F.A.I. RTE.	SECTION	COUNTY	TOTAL SHEETS	SHEET NO.
72	*	**	48	48
CONTRACT NO. 72A16				
FED. ROAD DIST. NO. ILLINOIS FED. AID PROJECT				