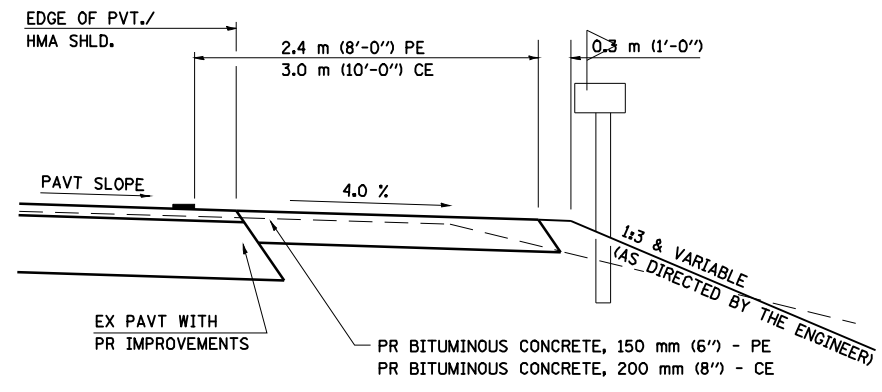
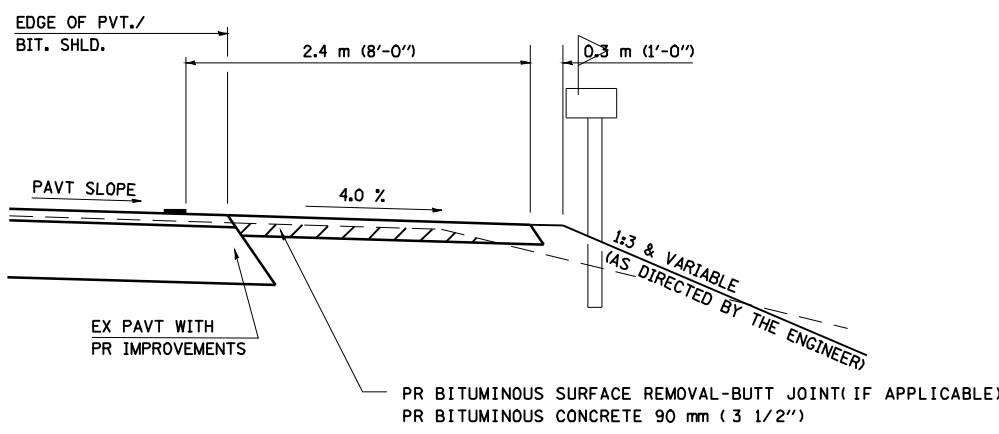
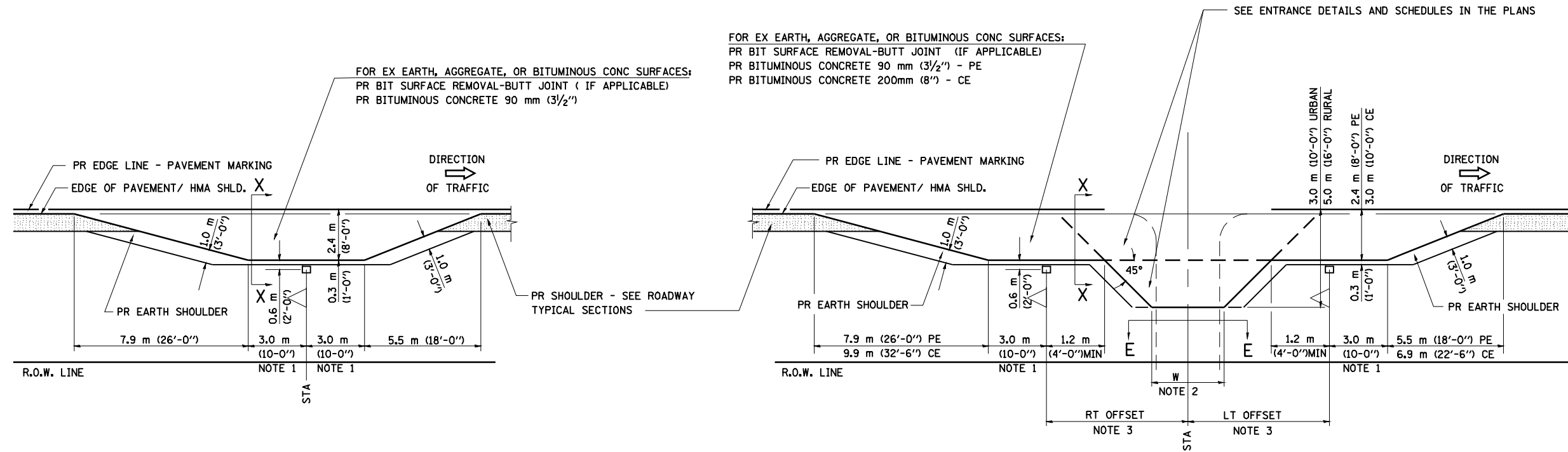


DETAILS OF MAILBOX TURNOUTS



- NOTE 1 IF MORE THAN ONE MAILBOX IS PRESENT, DIMENSION FROM CENTER OF END MAILBOX.
- NOTE 2 FOR ENTRANCE LAYOUT DIMENSIONS AND SECTIONS A-A & E-E REFER TO THE SCHEDULES IN THE PLANS.
- NOTE 3 BOTH LT OR RT OFFSETS FOR MAILBOX SHOWN USE OFFSET DIMENSION PER SCHEDULE AND REFER TO LAYOUT SHOWN ON THE PLAN.

(DETAIL APPLIES WHEN M.B. TURNOUT DOES NOT EXIST. IF EXISTING, TREAT SAME AS ENTRANCE.)

(DETAIL APPLIES WHEN M.B. TURNOUT DOES NOT EXIST. IF EXISTING, TREAT SAME AS ENTRANCE.)

ALL DIMENSIONS ARE IN MILLIMETERS (INCHES) UNLESS OTHERWISE SHOWN.

FILE NAME = ENT PPP.DGN	USER NAME = laughlinr1	DESIGNED -	REVISED - 2/19/03 JCN	STATE OF ILLINOIS DEPARTMENT OF TRANSPORTATION	DIST. 6 DETAILS FOR RURAL/URBAN ENT., MAILBOX TURNOUT & SIDEROADS W/O CONC. GUTTER (3P-PROJ.)	F.A. RTE.	SECTION	COUNTY	TOTAL SHEETS	SHEET NO.	
		DRAWN - CADD	REVISED - 4/01/04 JCN			+	21RS-4 22RS-5	LOGAN	31	30	
		CHECKED - JCN	REVISED -			CONTRACT NO. 72A44					
		DATE - FEBRUARY 23, 1999	REVISED -			FED. ROAD DIST. NO. ILLINOIS FED. AID PROJECT					
					SCALE:	SHEET NO. 2 OF 2 SHEETS		STA.		TO STA.	