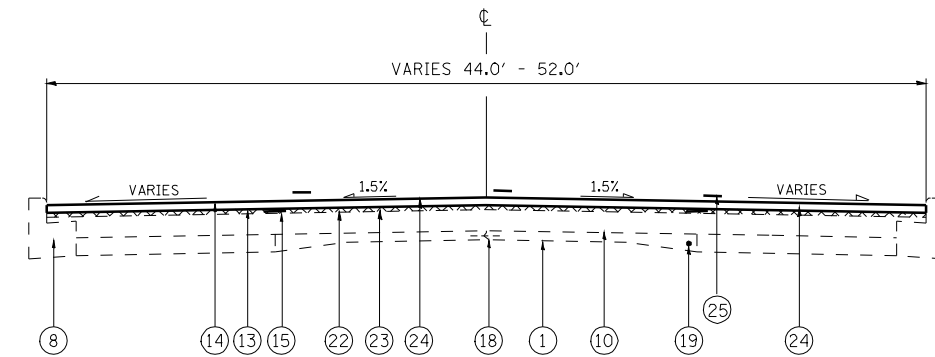
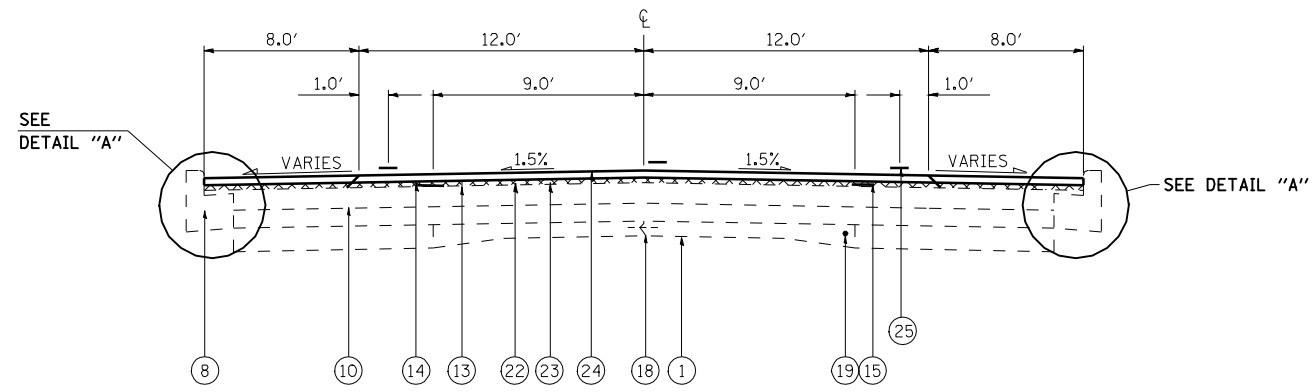


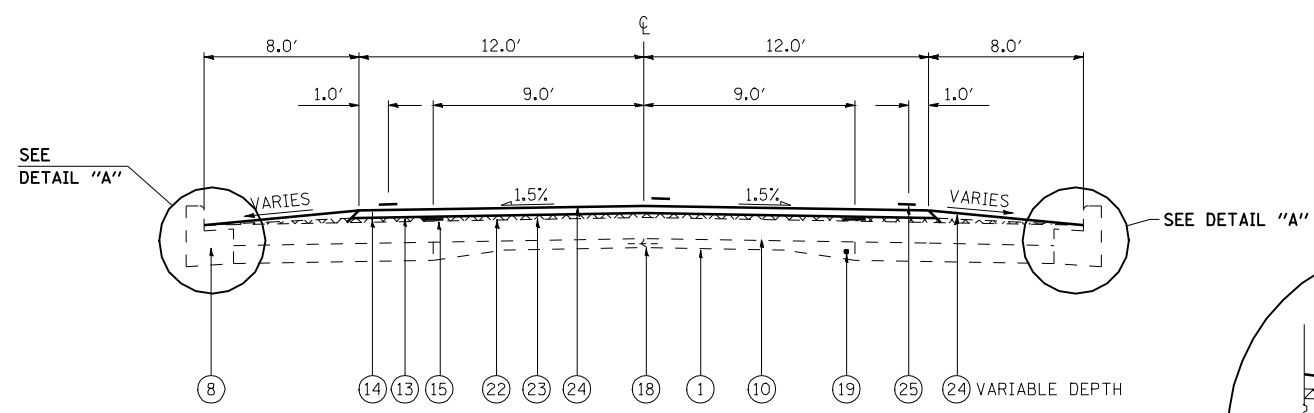
STA. 1021+25 TO 1025+25



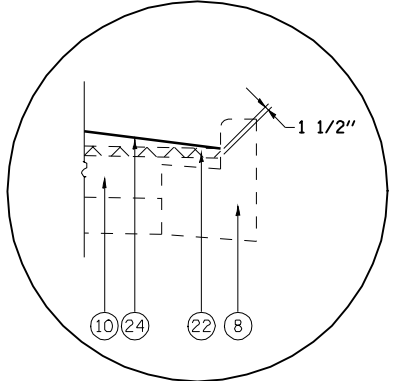
STA. 0+20.00 TO 1+90.00 (IL 107)
STA. 0+28.00 TO 0+45.00 (S. JACKSON ST.)



STA. 1018+50 TO 1021+25
STA. 1025+25 TO 1025+50



STA. 1000+00 TO 1018+50
STA. 1025+50 TO 1033+29
STA. 7+56.90 TO 9+00



DETAIL "A"

LEGEND

- (1) EXISTING P.C.C. PAVEMENT, 9"-6"-9"
- (2) EXISTING P.C.C. BASE COURSE, 9"
- (3) EXISTING P.C.C. BASE COURSE WIDENING, 9"
- (4) EXISTING P.C.C. PAVEMENT, 9"
- (5) EXISTING SUB-BASE GRANULAR MATERIAL, 6"
- (6) EXISTING SUB-BASE GRANULAR MATERIAL, 12"
- (7) EXISTING CONCRETE CURB & GUTTER, TYPE B
- (8) EXISTING CONCRETE CURB & GUTTER, TYPE B-6.12
- (9) EXISTING HOT-MIX ASPHALT CONCRETE, 7.5"
- (10) EXISTING HOT-MIX ASPHALT CONCRETE, 6"
- (11) EXISTING HOT-MIX ASPHALT CONCRETE, 3"
- (12) EXISTING LEVELING BINDER (MACHINE METHOD) TYPE 2, 1"
- (13) EXISTING LEVELING BINDER (MACHINE METHOD) TYPE 2, 0.75"
- (14) EXISTING HOT-MIX ASPHALT CONCRETE SURFACE COURSE, MIX C, CLASS I, TYPE 2, 1.5"
- (15) EXISTING HOT-MIX ASPHALT CRACK CONTROL TREATMENT
- (16) EXISTING AGGREGATE SHOULDERS, TYPE A
- (17) EXISTING 0.5" DEFORMED BAR
- (18) EXISTING 0.5" DEFORMED BAR AND LONGITUDINAL METAL JOINT
- (19) EXISTING 0.75" SMOOTH BAR
- (20) EXISTING FABRIC PAVEMENT
- (21) PROPOSED AGGREGATE SHOULDERS, TYPE B
- (22) PROPOSED HOT MIX ASPHALT SURFACE REMOVAL (VARIABLE DEPTH)
- (23) PROPOSED LEVELING BINDER, 0.75"
- (24) PROPOSED HOT MIX ASPHALT SURFACE COURSE, MIX C, 1 1/2"
- (25) PROPOSED PAVEMENT MARKING, LINE - 5"

STATION EQUATION:
STA. 1000+00.00 (BK) = STA. 7+56.90 (AH)

FILE NAME =	USER NAME = laughlinr1	DESIGNED -	REVISED -
es:\pwwork\PWIDOT\LAUGHLINRL\dms25724\672b45-sh-t-typico1.dgn		DRAWN - BMD	REVISED -
	PLOT SCALE = 48.0000' / IN.	CHECKED -	REVISED -
	PLOT DATE = Apr-07-2010 11:37:09AM	DATE - 7/15/08	REVISED -

**STATE OF ILLINOIS
DEPARTMENT OF TRANSPORTATION**

TYPICAL SECTIONS			
SCALE:	SHEET NO. 1 OF 6 SHEETS	STA.	TO STA.

F.A.P. RTE.	SECTION	COUNTY	TOTAL SHEETS	SHEET NO.
757	(20X)RS-5; (21X)RS-3	PIKE	34	7
CONTRACT NO. 72B45				
FED. ROAD DIST. NO. ILLINOIS FED. AID PROJECT				