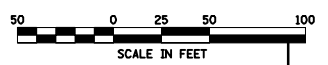
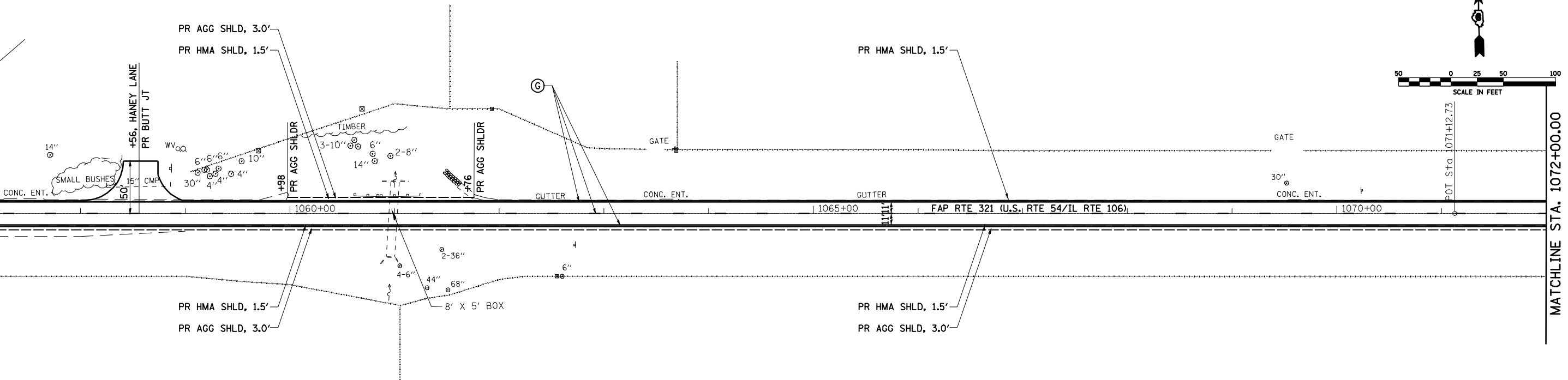


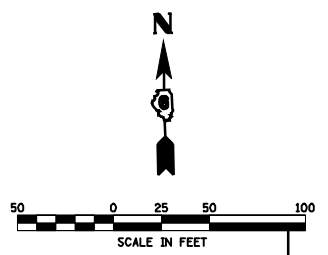
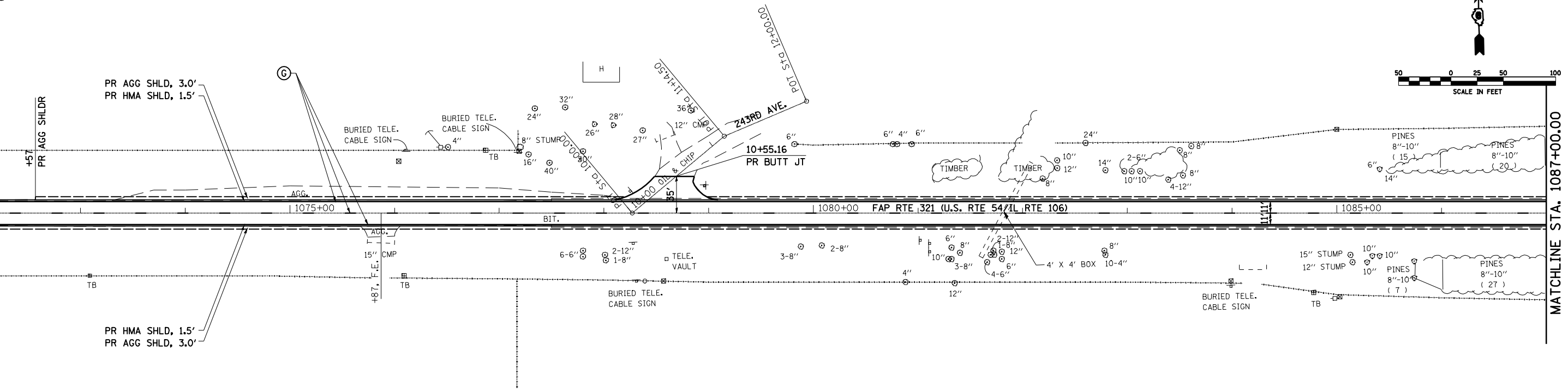
MATCHLINE STA. 1057+00.00



LEGEND

- (A) PREFORMED PLASTIC PAVEMENT MARKING, TYPE B-INLAID - LINE 6" (WHITE)
- (B) PREFORMED PLASTIC PAVEMENT MARKING, TYPE B-INLAID - LINE 24" (WHITE)
- (C) THERMOPLASTIC PAVEMENT MARKING - LINE 5" (DOUBLE YELLOW)
- (D) THERMOPLASTIC PAVEMENT MARKING - LINE 12" (YELLOW)
- (E) PREFORMED PLASTIC PAVEMENT MARKING, TYPE B-INLAID - LETTERS AND SYMBOLS LEFT TURN ARROW
- (F) PREFORMED PLASTIC PAVEMENT MARKING, TYPE B-INLAID - LETTERS AND SYMBOLS COMBINATION RT./THRU ARROW
- (G) PAINT PAVEMENT MARKING LINE - 5" (WHITE)

MATCHLINE STA. 1072+00.00



FILE NAME =	USER NAME = laughlinr1	DESIGNED -	REVISED -	STATE OF ILLINOIS DEPARTMENT OF TRANSPORTATION	PLAN & PAVEMENT MARKING SHEET - IL 106			F.A.P. RTE.	SECTION	COUNTY	TOTAL SHEETS	SHEET NO.
e:\pwwork\pwwid001\LAUGHLINRL\dna2572410672845-SHT-plan-IL106812.dgn	DRAWN -	REVISED -	757					(20X)RS-5, (21X)RS-3	PIKE	34	23	
PLOT SCALE = 100.0000' / IN.	CHECKED -	REVISED -	CONTRACT NO. 72B45									
PLOT DATE = Apr-07-2010 11:38:07AM	DATE -	REVISED -	SCALE:		SHEET NO. 11 OF 15 SHEETS	STA.	TO STA.	ILLINOIS FED. AID PROJECT				