

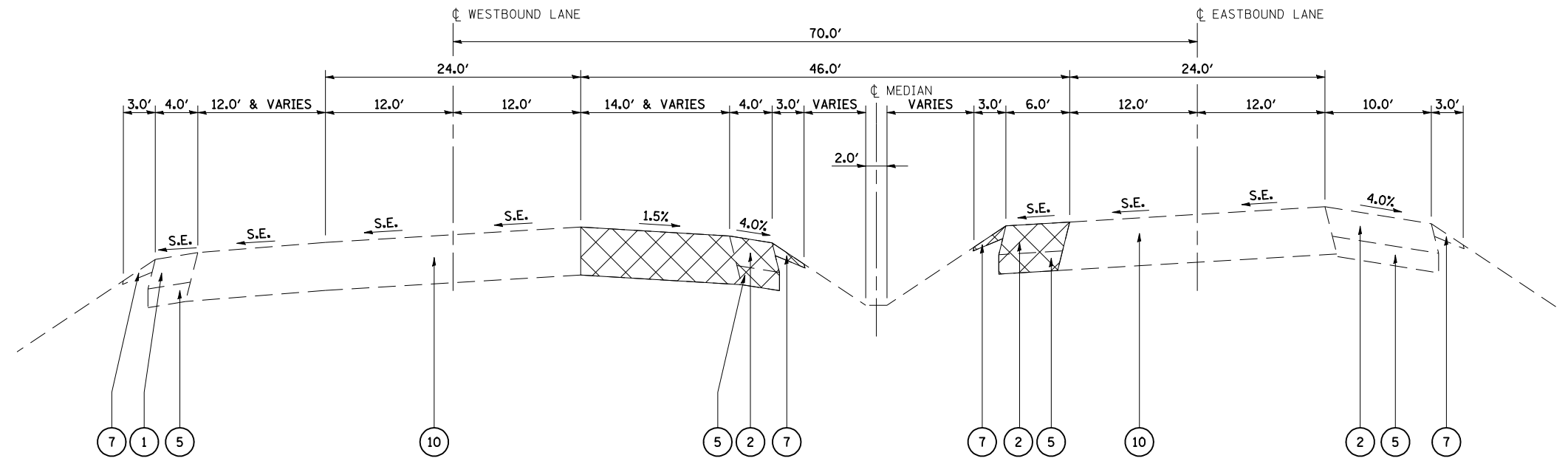
NOTES:

SHOULDER SLOPE FOR SUPERELEVATION

- (A) LOW SIDE: SLOPE SHALL BE SAME AS SUPERELEVATION, BUT NOT LESS THAN 4.0%.
- (B) HIGH SIDE: WHEN SUPERELEVATION IS BETWEEN 0% AND 4%, SLOPE SHOULDER @ 4.0%. WHEN SUPERELEVATION EXCEEDS 4.0%, THE SHOULDER SHALL BE SLOPED SO THAT THE ALGEBRAIC DIFFERENCE BETWEEN PAVEMENT AND SHOULDER WILL NOT BE GREATER THAN 8.0%.

TURN LANE SLOPE FOR SUPERELEVATION

- (C) LOW SIDE: SLOPE SHALL BE SAME AS SUPERELEVATION.
- HIGH SIDE: SLOPE SO THAT THE ALGEBRAIC DIFFERENCE BETWEEN MAINLINE AND TURN LANE WILL NOT BE GREATER THAN 4.0%.

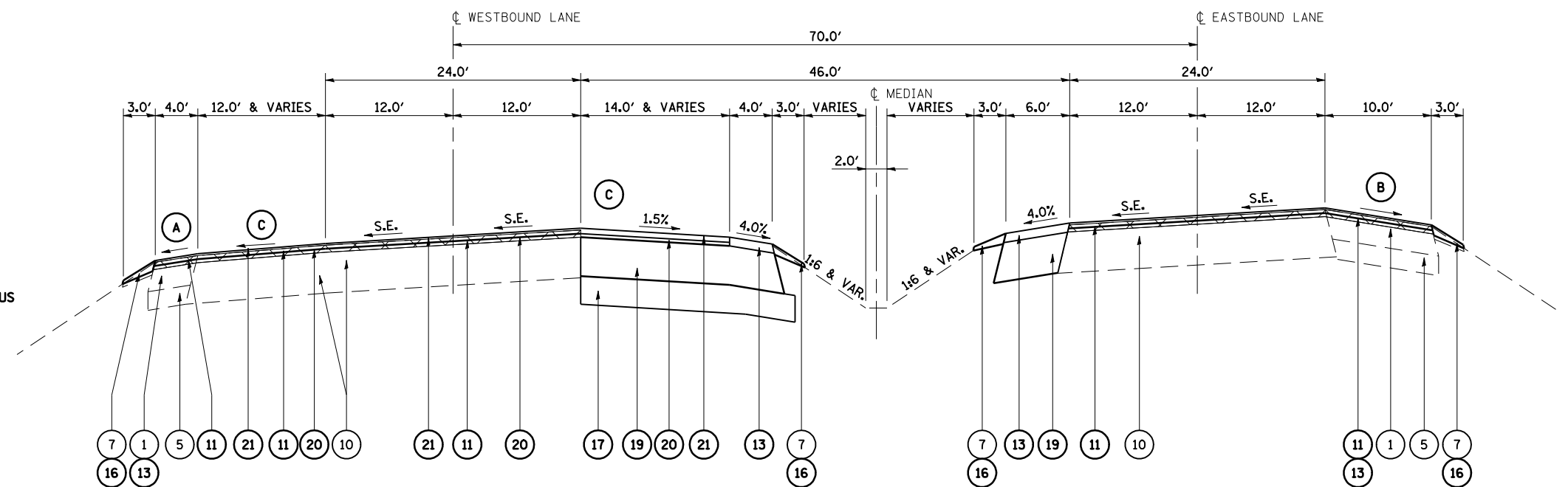


EXISTING TYPICAL SECTION WITH REMOVAL

SUPERELEVATION

STA. 203+81.32 - 207+20.02

- (1) EXISTING HOT-MIX ASPHALT SHOULDERS
- (2) EXISTING HOT-MIX ASPHALT SHOULDERS WITH STD. 2438 RUMBLE STRIPS, CONTINUOUS
- (3) EXISTING PCC PAVEMENT (8")
- (4) EXISTING STABILIZED SUB-BASE (4")
- (5) EXISTING SUB-BASE GRANULAR MATERIAL, TY C
- (6) EXISTING CONCRETE CURB & GUTTER
- (6A) EXISTING CONCRETE CURB & GUTTER M-2.12 OR M-4.12
- (6B) EXISTING CONCRETE CURB & GUTTER M-2.24 OR M-4.24
- (7) EXISTING AGGREGATE SHOULDERS, TY B
- (8) EXISTING CONCRETE MEDIAN (4" OR 6")
- (9) EXISTING SOLID MEDIAN, STD. 2122
- (10) EXISTING BITUMINOUS CONCRETE PAVEMENT (FULL DEPTH), 13.5"
- (11) PROPOSED HOT-MIX ASPHALT SURFACE REMOVAL (2")
- (12) PROPOSED HOT-MIX ASPHALT SURFACE COURSE, POLYMER MIX "D", N70-2"
- (13) PROPOSED HOT-MIX ASPHALT SHOULDERS (2")
- (14) PROPOSED HOT-MIX ASPHALT SHOULDERS WITH STD. 2438 RUMBLE STRIPS, CONTINUOUS
- (15) PROPOSED PAVEMENT MARKING, LINE (5")
- (16) PROPOSED AGGREGATE SHOULDERS, TYPE B
- (17) PROPOSED SUB-BASE GRANULAR MATERIAL, TYPE A, 8"
- (18) PROPOSED COMBINED CONCRET E CURB & GUTTER, TYPE M 4.24
- (19) PROPOSED HOT-MIX ASPHALT BASE COURSE, 11"
- (20) PROPOSED LEVELING BINDER (MACHINE METHOD), 1" & VAR. DEPTH
- (21) PROPOSED HOT-MIX ASPHALT SURFACE COURSE, 1.5"
- (22) PROPOSED HOT-MIX ASPHALT SHOULDERS, 8"
- (23) PROPOSED SUB-BASE GRANULAR MATERIAL, TYPE B, VAR. DEPTH
- (24) PROPOSED CONCRETE MEDIAN SURFACE, 4"



PROPOSED TYPICAL SECTION

SUPERELEVATION

STA. 203+81.32 - 207+20.02

FILE NAME =	USER NAME = laughlinr1	DESIGNED -	REVISED -	STATE OF ILLINOIS DEPARTMENT OF TRANSPORTATION	TYPICAL SECTIONS, SECTION "B" (IL 4), VETERANS PKWY		F.A.P. RTE.	SECTION	COUNTY	TOTAL SHEETS	SHEET NO.
et:\pwork\WPIDOT\LAUGHLINRL\dms47710\672c35-sht-typicals-veterans.dgn	PLOT SCALE = 20.0000' / IN.	DRAWN -	REVISED -				658	.	SANGAMON	206	53
PLOT DATE = Apr-30-2010 11:15:27AM	DATE -	CHECKED -	REVISED -		SCALE: SHEET NO. 6 OF 10 SHEETS STA. TO STA.		ILLINOIS FED. AID PROJECT		CONTRACT NO. 72C35		
		DATE -	REVISED -								