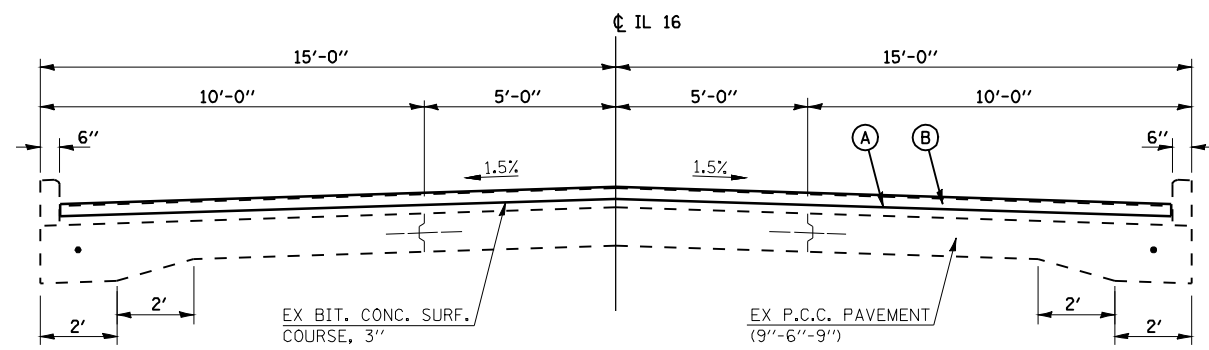


TYPICAL CROSS SECTION
STA. 43+57 TO STA. 46+07

LEGEND	
(A)	PROPOSED HOT-MIX ASPHALT SURFACE REMOVAL, 2"
(B)	PROPOSED HOT-MIX ASPHALT SURFACE COURSE, MIX D, N70, 2" DEPTH



TYPICAL CROSS SECTION
STA. 46+07 TO STA. 50+00
STA. EQUATION:
50+00 BACK = 00+00 AHEAD
STA. 00+00 TO STA. 9+84.08
BRIDGE OMISSION:
STA. 9+84.08 TO STA. 10+83.69
STA. 10+83.69 TO STA. 44+57.00

--20RS-7, 21RS-6, 104RS, 105RS-4
**--325, 42

FILE NAME =	USER NAME = laughlinr1	DESIGNED - RTS	REVISED -	STATE OF ILLINOIS DEPARTMENT OF TRANSPORTATION	TYPICAL CROSS SECTIONS IL 16 (SCHOOL STREET)			F.A.P. RTE.	SECTION	COUNTY	TOTAL SHEETS	SHEET NO.
e:\pwwork\pwidot\LAUGHLINRL\0105356\0672C52-ah-typico1.dgn	DRAWN - RTS	REVISED -	REVISED -		SCALE:	SHEET NO. 3 OF 8 SHEETS	STA.	TO STA.	MONTGOMERY	60	8	
PLOT SCALE = 20.0000' / IN.	CHECKED -	REVISED -	REVISED -		CONTRACT NO. 72C52							
PLOT DATE = Mar-26-2010 11:59:01AM	DATE - 3-10-10	REVISED -	REVISED -		ILLINOIS FED. AID PROJECT							