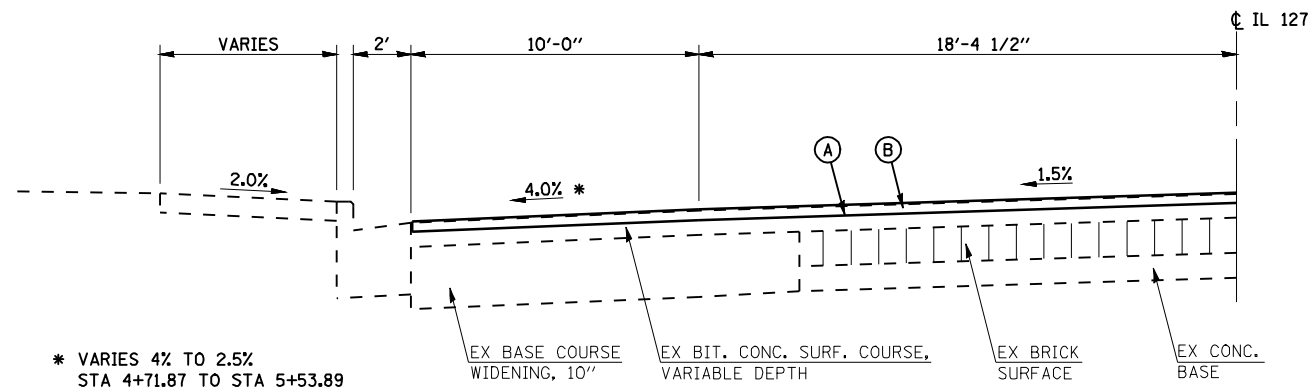


TYPICAL CROSS SECTION
 STA. 12+43.05 TO STA. 40+80.79



* VARIES 4% TO 2.5%
 STA 4+71.87 TO STA 5+53.89

PARALLEL PARKING DETAIL
 STA. 04+43.21 TO STA. 06+47.39

LEGEND	
(A)	PROPOSED HOT-MIX ASPHALT SURFACE REMOVAL, 2"
(B)	PROPOSED HOT-MIX ASPHALT SURFACE COURSE, MIX D, N70, 2" DEPTH

•-20RS-7, 21RS-6, 104RS, 105RS-4
 **-325, 42

FILE NAME =	USER NAME = laughlinr1	DESIGNED - RTS	REVISED -
e:\pwwork\pwidot\LAUGHLINRL\0105356\0672C52-ah-typical.dgn		DRAWN - RTS	REVISED -
PLOT SCALE = 20.0000' / IN.		CHECKED -	REVISED -
PLOT DATE = Mar-26-2010 11:59:05AM		DATE - 3-10-10	REVISED -

STATE OF ILLINOIS
DEPARTMENT OF TRANSPORTATION

TYPICAL CROSS SECTIONS			
IL 127			
SCALE:	SHEET NO. 5 OF 8 SHEETS	STA.	TO STA.

F.A.P. RTE.	SECTION	COUNTY	TOTAL SHEETS	SHEET NO.
**	*	MONTGOMERY	60	10
				CONTRACT NO. 72C52
ILLINOIS FED. AID PROJECT				