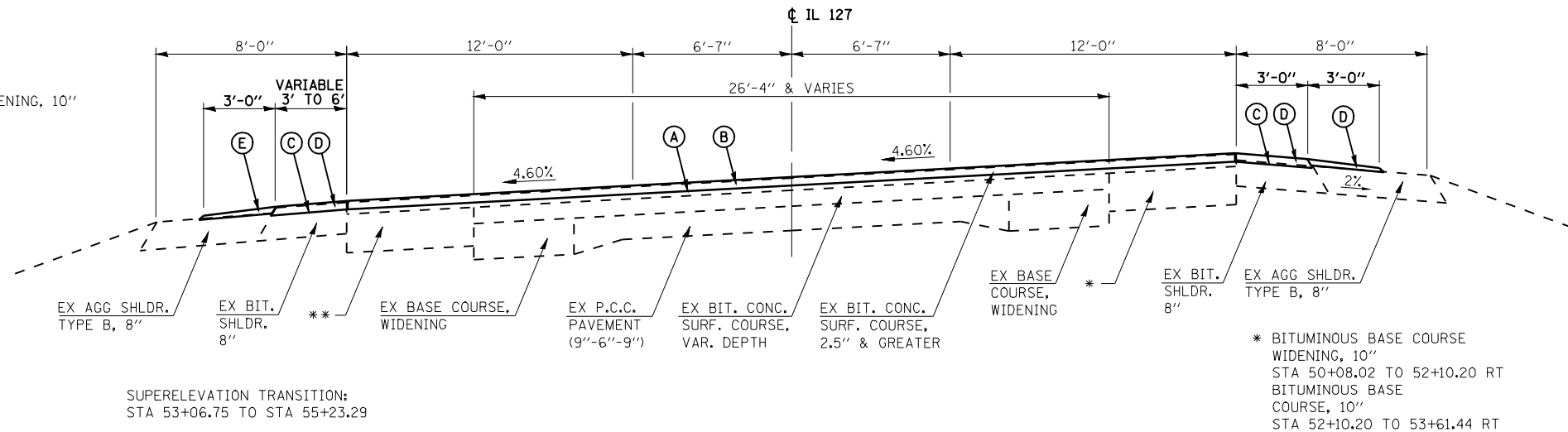
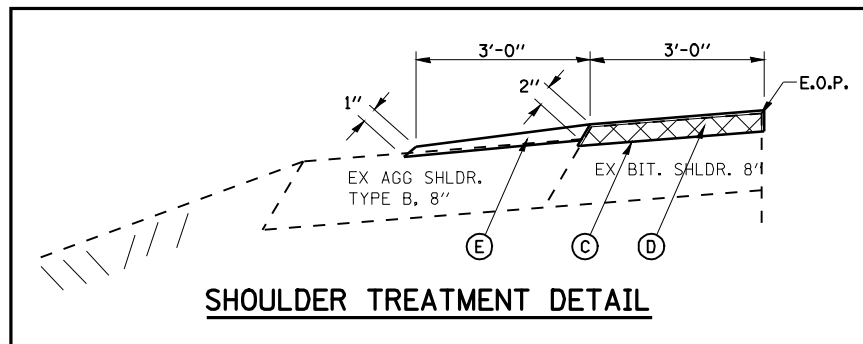


\*\* EXISTING CONCRETE PAVEMENT  
 STA 52+83.98 TO 53+61.44  
 BITUMINOUS BASE COURSE WIDENING, 10"  
 STA 50+08.02 TO 52+06.14 LT  
 BITUMINOUS BASE COURSE, 10"  
 STA 52+06.14 TO 52+83.98 LT

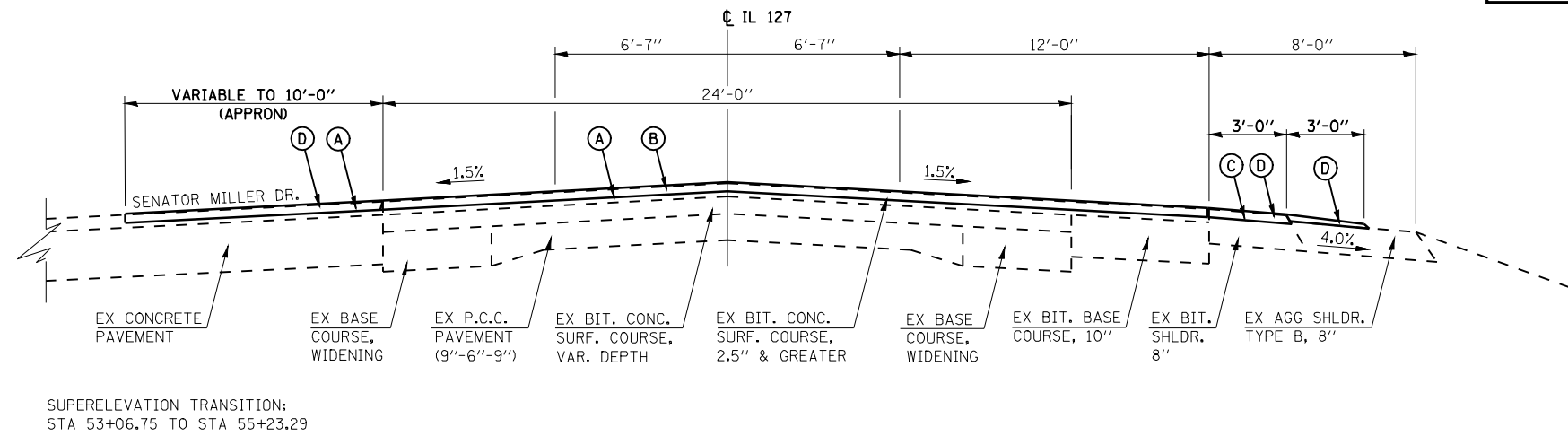


**TYPICAL CROSS SECTION**  
 STA. 50+08.02 TO STA. 53+61.44



**SHOULDER TREATMENT DETAIL**

LEGEND	
(A)	PROPOSED HOT-MIX ASPHALT SURFACE REMOVAL, 2"
(B)	PROPOSED HOT-MIX ASPHALT SURFACE COURSE, MIX D, N70, 2" DEPTH
(C)	PROPOSED PAVED SHOULDER REMOVAL (2" DEPTH)
(D)	PROPOSED INCIDENTAL HMA SURFACING (2" DEPTH)
(E)	PROPOSED AGGREGATE SHOULDER WEDGE, TYPE B (1.5" AVG. DEPTH)



**TYPICAL CROSS SECTION**  
 STA. 53+61.44 TO STA. 54+80.83

--20RS-7, 21RS-6, 104RS, 105RS-4  
 \*\*--325, 42

FILE NAME =	USER NAME = laughlinr1	DESIGNED - RTS	REVISED -
ea:\pwwork\pwwid\LAUGHLINRL\0105356\0572C52-ah-typical.dgn		DRAWN - RTS	REVISED -
PLOT SCALE = 20.0000' / IN.		CHECKED -	REVISED -
PLOT DATE = Mar-26-2010 11:59:09AM		DATE - 3-10-10	REVISED -

**STATE OF ILLINOIS**  
**DEPARTMENT OF TRANSPORTATION**

**TYPICAL CROSS SECTIONS**  
**IL 127**

SCALE: SHEET NO. 7 OF 8 SHEETS STA. TO STA.

F.A.P. RTE.	SECTION	COUNTY	TOTAL SHEETS	SHEET NO.
**	*	MONTGOMERY	60	12
CONTRACT NO. 72C52			ILLINOIS FED. AID PROJECT	