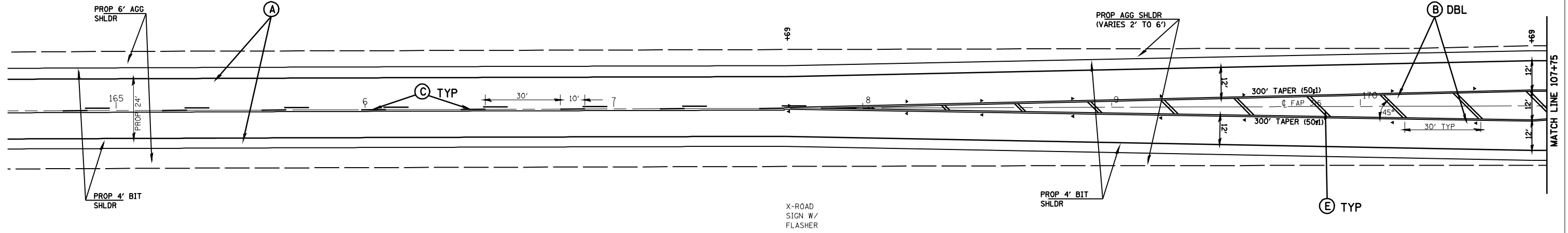


PI Sta 166+23.75
 $\Delta = 0^\circ 22' 50.00''$ (RT)
 $D = 0^\circ 02' 19.90''$
 $L = 979.2500'$
 $T = 489.6268'$
 $R = 147,434.1690'$
 PC Sta 161+34.12
 PT Sta 171+13.37

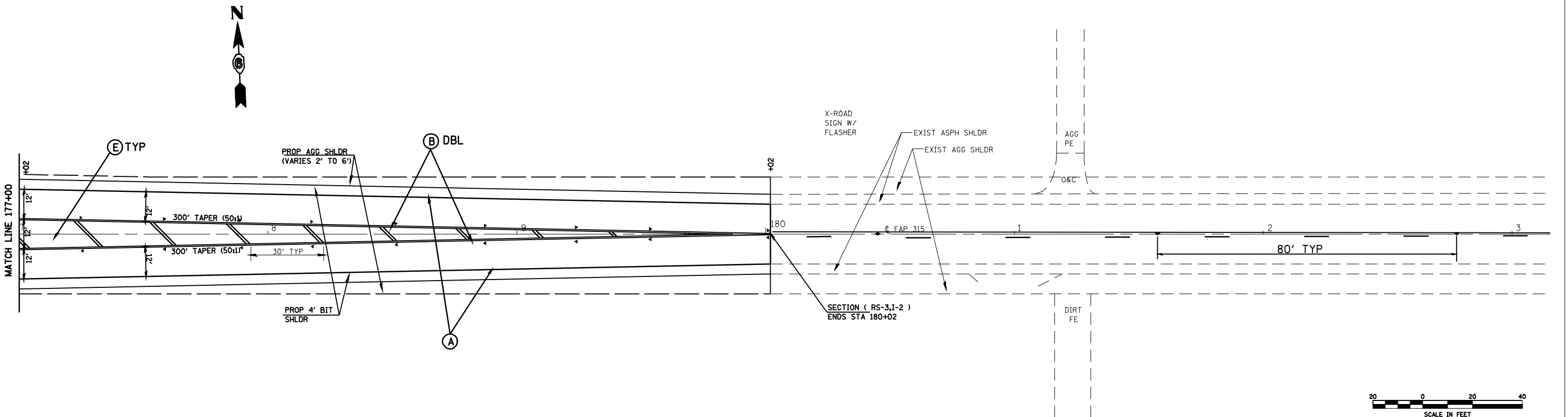


PAV'T MARKING LEGEND

- (A) URETHANE PAVEMENT MARKING - LINE 5" (WHITE)
- (B) URETHANE PAVEMENT MARKING - LINE 5" (YELLOW)-13"/C/C
- (C) URETHANE PAVEMENT MARKING - LINE 5" YELLOW SKIP-DASH *
- (D) URETHANE PAVEMENT MARKING - LINE 6" (WHITE)
- (E) PREF. PLASTIC PAVEMENT MARKING TYPE B, INLAID - LINE 12" (YELLOW)
- (F) PREF. PLASTIC PAVEMENT MARKING TYPE B, INLAID - LINE 24" (WHITE)
- (G) PREF. PLASTIC PAVEMENT MARKING TYPE B, INLAID - LETTERS AND SYMBOLS (WHITE)
 10' STRIPE - 30' DASH



RAISED REFLECTIVE PAVEMENT MARKER LEGEND
 ONE-WAY AMBER MARKER
 TWO-WAY AMBER MARKER



FILE NAME =	USER NAME = laughlinr1	DESIGNED -	REVISED -
es:\pwork\pwork\LAUGHLINRL\0159574\0672C63-shr-pmkdetail.dgn		DRAWN -	REVISED -
	PLOT SCALE = 40.000' / IN.	CHECKED -	REVISED -
	PLOT DATE = Apr-07-2010 08:39:43AM	DATE -	REVISED -

STATE OF ILLINOIS
 DEPARTMENT OF TRANSPORTATION

PAVEMENT MARKING DETAIL

SCALE: SHEET NO. OF SHEETS STA. TO STA.

F.A.P. RTE.	SECTION	COUNTY	TOTAL SHEETS	SHEET NO.
315	(28,29)RS-5	HANCOCK	40	34
CONTRACT NO. 72C63				
ILLINOIS FED. AID PROJECT				