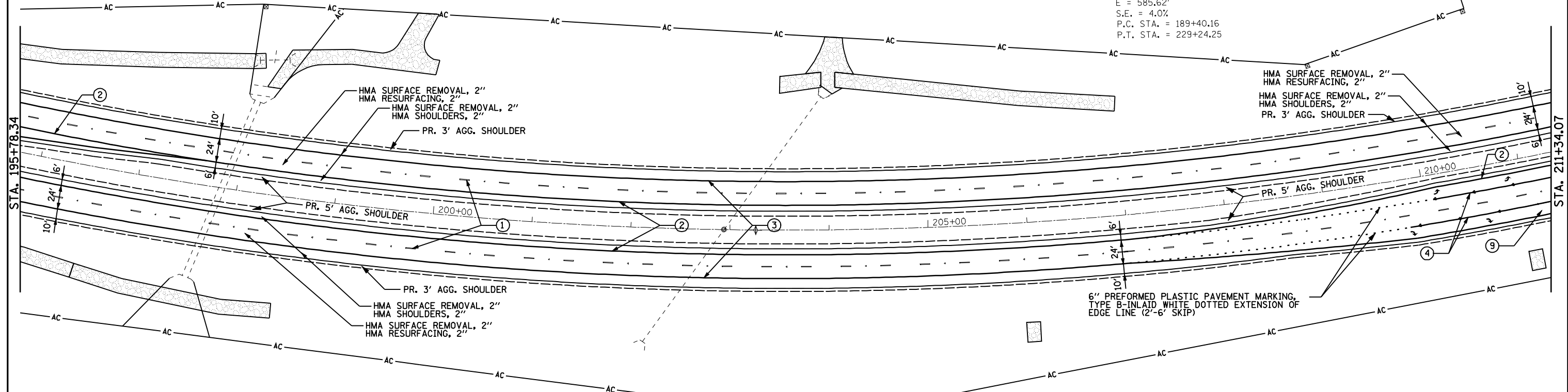


- PAVEMENT MARKING LEGEND**
- ① PR. PREFORMED PLASTIC PAVEMENT MARKING, TYPE B (INLAID), LINE 5" (30' SKIP, 10' WHITE DASH & RRPM @ 80'CTS.)
  - ② PR. URETHANE PAVEMENT MARKING, LINE 5" (SOLID YELLOW)
  - ③ PR. URETHANE PAVEMENT MARKING, LINE 5" (SOLID WHITE)
  - ④ PR. URETHANE PAVEMENT MARKING, LINE 6" (SOLID WHITE)
  - ⑤ PR. PREFORMED PLASTIC PAVEMENT MARKING, TYPE B (INLAID), LINE 8" (SOLID WHITE)
  - ⑥ PR. PREFORMED PLASTIC PAVEMENT MARKING, TYPE B (INLAID), LINE 12" (SOLID YELLOW)
  - ⑦ PR. PREFORMED PLASTIC PAVEMENT MARKING, TYPE B (INLAID), LINE 12" (SOLID WHITE)
  - ⑧ PR. PREFORMED PLASTIC PAVEMENT MARKING, TYPE B (INLAID), LINE 24" (SOLID WHITE)
  - ⑨ PR. PREFORMED PLASTIC PAVEMENT MARKING, TYPE B (INLAID), LETTERS & SYMBOLS (SOLID WHITE)
  - ▲ PR. RAISED PAVEMENT MARKERS, ONE-WAY CRYSTAL
  - ◀ PR. RAISED PAVEMENT MARKERS, ONE-WAY AMBER



EXIST. CURVE ML4  
 PI STA. = 211+34.88  
 $\Delta = 59^\circ 45' 40''$  (LT)  
 $D = 1^\circ 30' 00''$   
 $R = 3,819.72'$   
 $T = 2,194.72'$   
 $L = 3,984.09'$   
 $E = 585.62'$   
 $S.E. = 4.0\%$   
 P.C. STA. = 189+40.16  
 P.T. STA. = 229+24.25

S.E. ATTAINMENT  
 FROM STA. 187+40.16 TO STA. 190+40.16  
 FROM STA. 228+24.24 TO STA. 231+24.24



FILE NAME =	USER NAME = laughlinr1	DESIGNED - TCG	REVISED -	<b>STATE OF ILLINOIS DEPARTMENT OF TRANSPORTATION</b>	<b>ILLINOIS 336</b>	F.A.P. RTE.	SECTION	COUNTY	TOTAL SHEETS	SHEET NO.
es:\pwwork\pwwid01\LAUGHLINRL\0200120\0672014-shr-plan-11336.dgn	PLOT SCALE = 100.0000' / IN.	DRAWN - JJS	REVISED -			302	1-7(RS)	ADAMS	38	26
PLOT DATE = Apr-09-2010 08:31:55AM	DATE - JANUARY 2010	CHECKED - MTM	REVISED -			CONTRACT NO. 72D14				
SCALE: 1"=50'						SHEET NO. 7 OF 12 SHEETS		STA. 180+31.27 TO STA. 211+34.07		

ILLINOIS FED. AID PROJECT