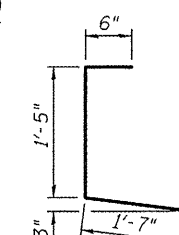
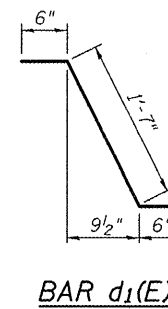
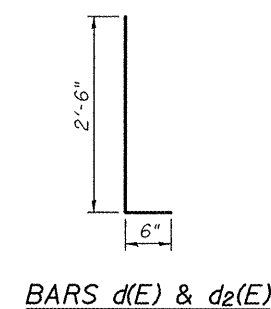
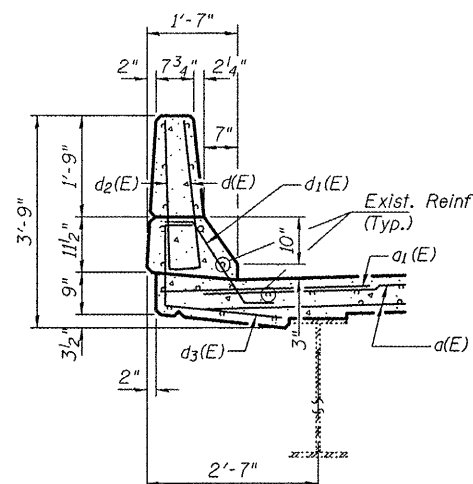
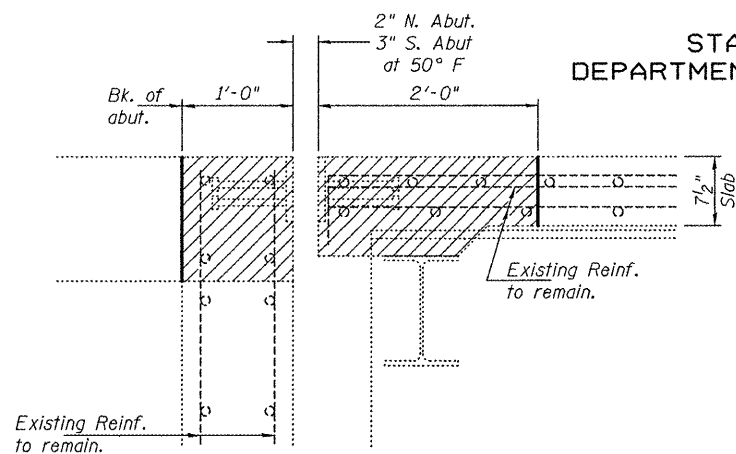
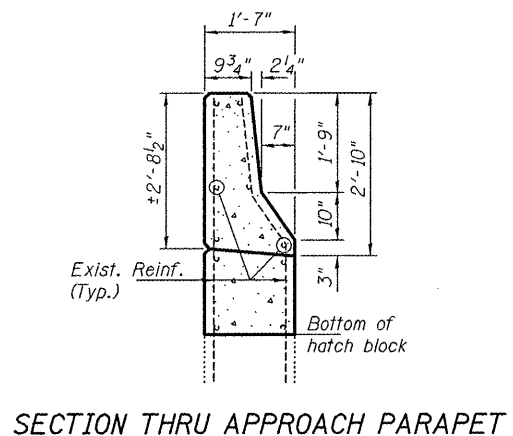
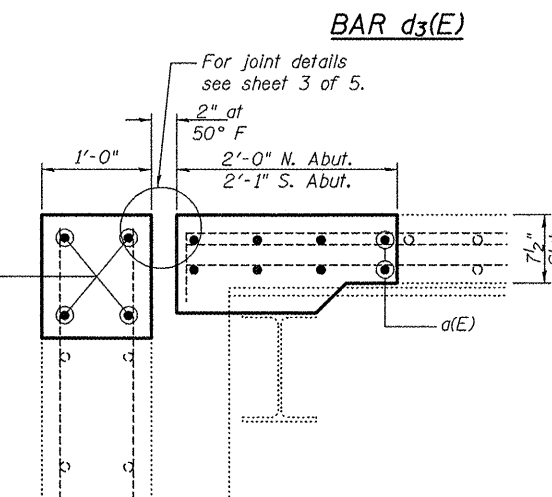


STATE OF ILLINOIS  
DEPARTMENT OF TRANSPORTATION

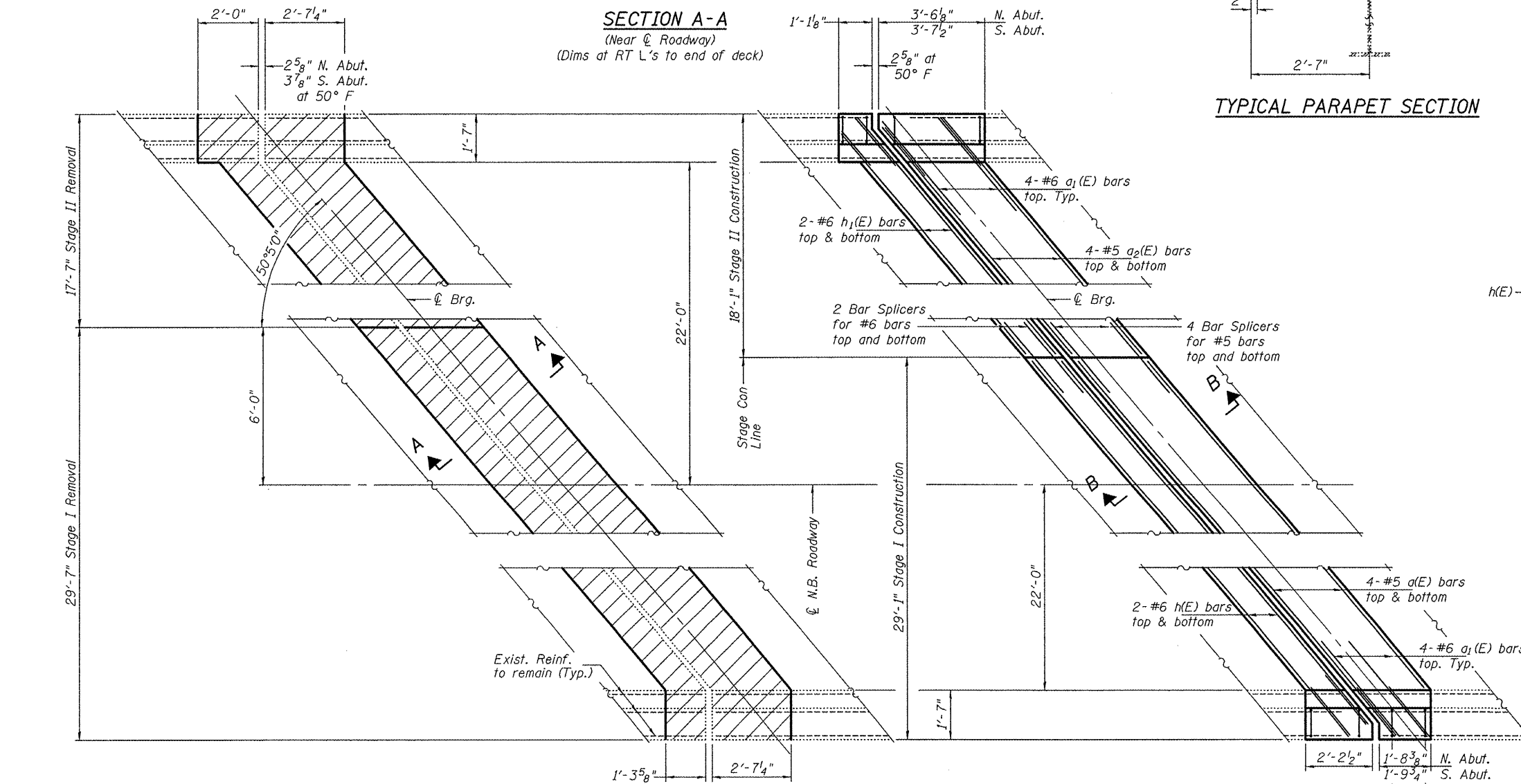


SECTION THRU APPROACH PARAPET

TYPICAL PARAPET SECTION



SECTION B-B  
(Near  $\phi$  Roadway)  
(Dims at RT L's to end of deck)



REMOVAL PLAN  
(N. Abut. Shown)  
(S. Abut. Similar by rotation)

REPLACEMENT PLAN  
(N. Abut. Shown)  
(S. Abut. Similar by rotation)

BILL OF MATERIAL

Bar	No.	Size	Length	Shape
d(E)	16	#5	37'-8"	┌
a1(E)	16	#6	4'-0"	┌
a2(E)	16	#5	23'-4"	┌
d(E)	12	#5	3'-0"	┌
d1(E)	12	#5	2'-7"	┌
d2(E)	12	#4	3'-0"	┌
d3(E)	12	#4	3'-6"	┌
h(E)	8	#5	37'-8"	┌
h1(E)	8	#5	23'-4"	┌
Concrete Removal			Cu. Yd.	17.4
Concrete Superstructure			Cu. Yd.	18.0
Reinforcement Bars, Epoxy Coated			Lbs.	1,730

DETAILS  
SN 084-0020

DESIGNED	I.J.L.
CHECKED	A.T.H.
DRAWN	Drew Christopher
CHECKED	I.J.L. A.T.H.

EXAMINED	May 7, 2010 <i>Carl P. [Signature]</i> ENGINEER OF STRUCTURAL SERVICES
PASSED	<i>Ralph E. [Signature]</i> ENGINEER OF BRIDGES AND STRUCTURES

SHEET NO. 2	F.A.I. RTE.	SECTION	COUNTY	TOTAL SHEETS	SHEET NO.
	55	84-2(RS-3)	Sangamon	156	133
5 SHEETS	FED. ROAD DIST. NO.		ILLINOIS FED. AID PROJECT		
			CONTRACT NO. 72D43		

Notes:  
Hatched areas indicate removal.

Rev. 5-26-10