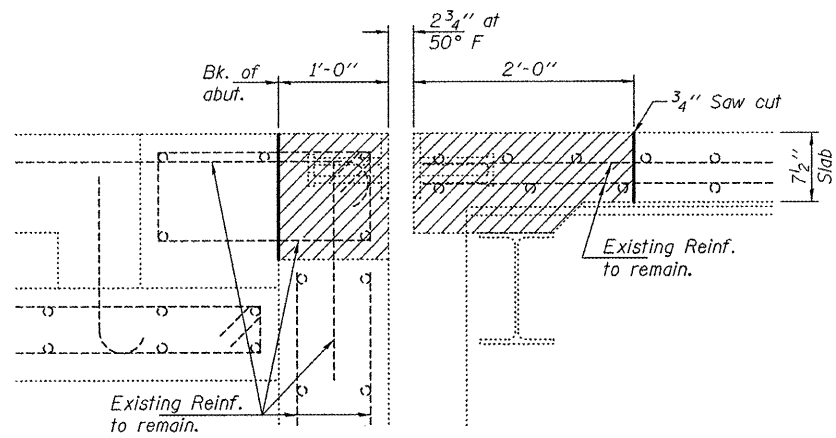
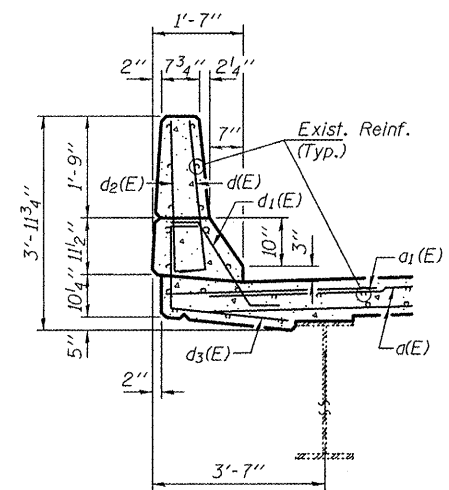
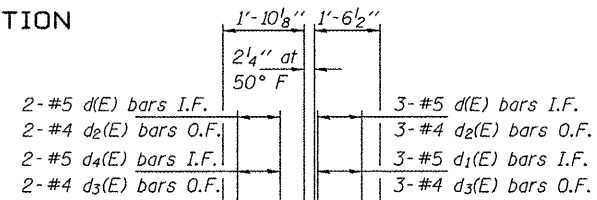


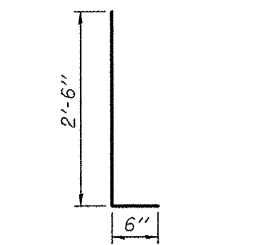
STATE OF ILLINOIS  
DEPARTMENT OF TRANSPORTATION



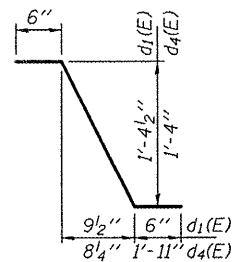
**SECTION A-A**  
(Near Roadway)  
(Dimensions are at RT L's to end of deck)



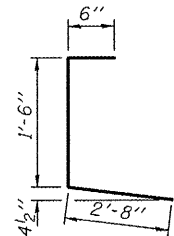
**TYPICAL PARAPET SECTION**



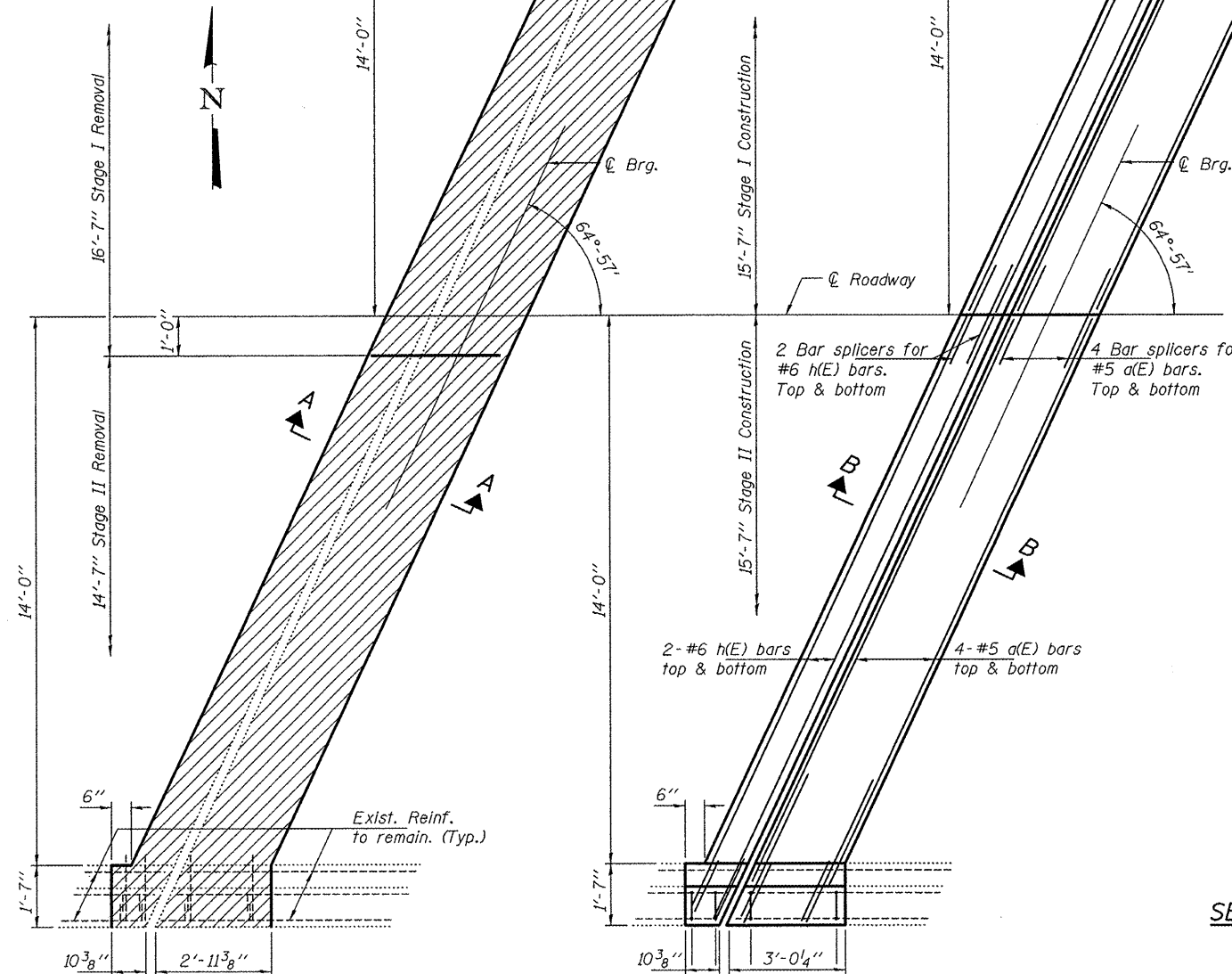
**BARS d(E) & d2(E)**



**BARS d1(E) & d4(E)**

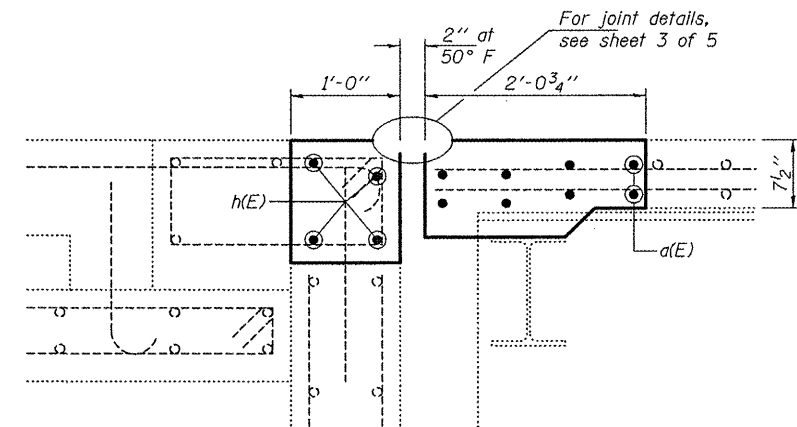


**BAR d3(E)**

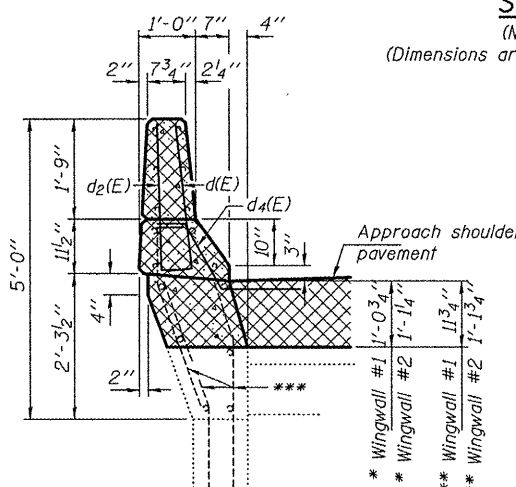


**REMOVAL PLAN**

**REPLACEMENT PLAN**



**SECTION B-B**  
(Near Roadway)  
(Dimensions are at RT L's to end of deck)



**SECTION THRU APPROACH PARAPET**

**BILL OF MATERIAL**

Bar	No.	Size	Length	Shape
a(E)	32	#5	16'-0"	
a1(E)	16	#6	5'-0"	
d(E)	20	#5	3'-0"	
d1(E)	12	#5	2'-7"	
d2(E)	20	#4	3'-0"	
d3(E)	12	#4	4'-8"	
d4(E)	8	#5	3'-11"	
h(E)	16	#6	16'-9"	
Concrete Removal			Cu. Yd.	9.0
Concrete Superstructure			Cu. Yd.	9.2
Reinforcement Bars, Epoxy Coated			Lbs.	1260

**JOINT REPLACEMENT DETAILS**

TR 33 OVER FAI 55  
SN 084-0100

DESIGNED	IJL
CHECKED	ATH
DRAWN	baliva
CHECKED	IJL ATH

MAY 7, 2010  
EXAMINED *Carl P. Hoyer*  
ENGINEER OF STRUCTURAL SERVICES  
PASSED *Ralph E. Anderson*  
ENGINEER OF BRIDGES AND STRUCTURES

West abutment shown  
East abutment similar by rotation.

Notes:  
Hatched areas indicate removal.  
Cross hatched areas indicate removal and replacement.

SHEET NO. 2	F.A.I. RTE. 55	SECTION 84 2(RS-3)	COUNTY SANGAMON	TOTAL SHEETS 156	SHEET NO. 150
5 SHEETS		CONTRACT NO. 72D43		FED. ROAD DIST. NO. ILLINOIS FED. AID PROJECT	

Rev. 5-26-10