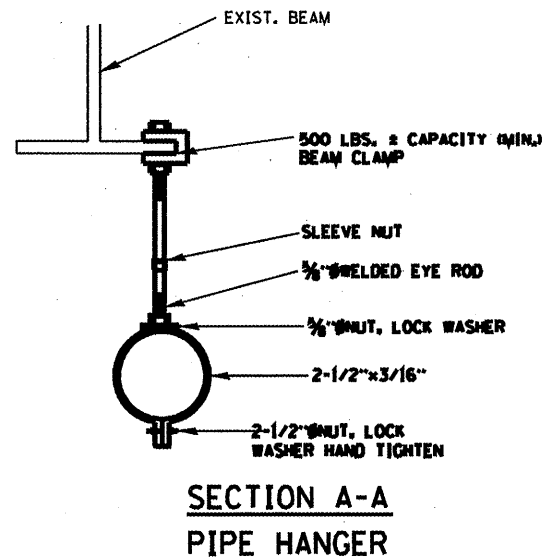
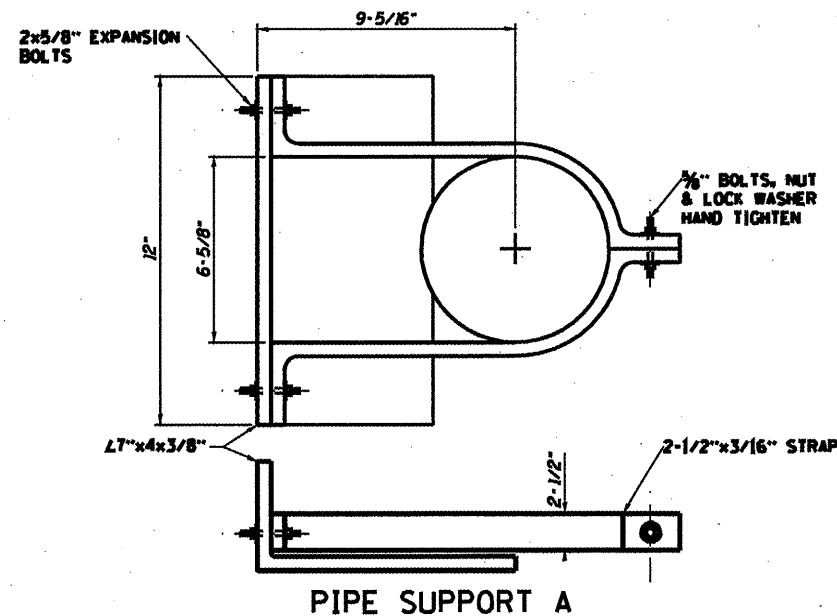
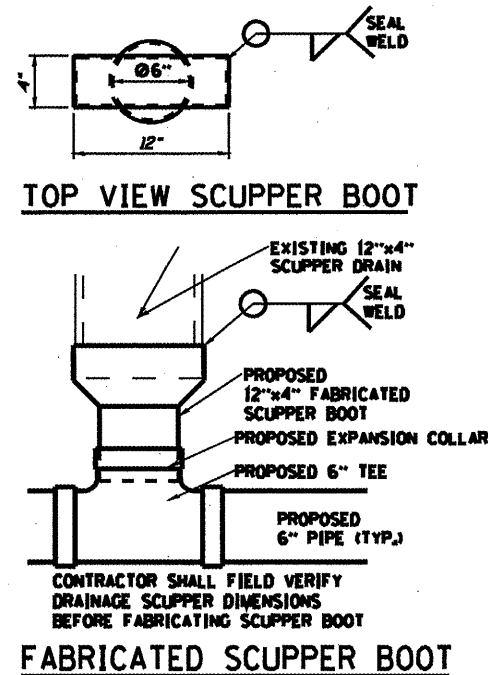
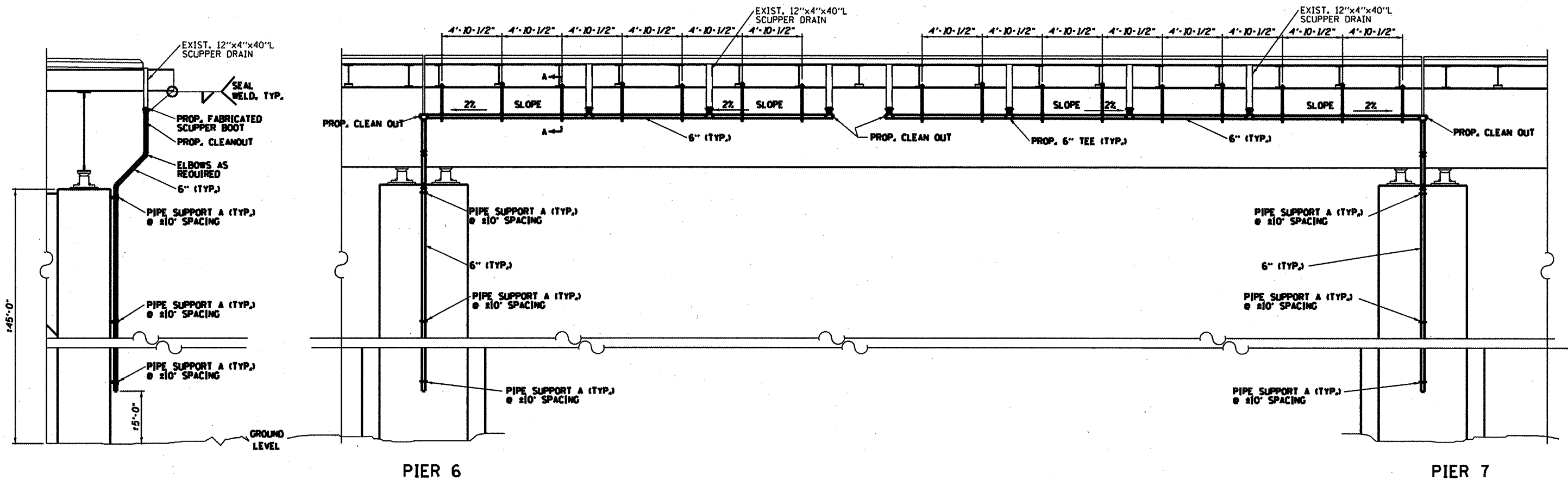


CONTRACT NO. 72053			
F.A.P. RYE	SECTION	COUNTY	TOTAL SHEET NO.
63	(12B)-4	ADAMS	8. 84
FED. ROAD DIST. NO. ILLINOIS FED. AID PROJECT			

SPAN 7



NOTES:

1. THE DRAINAGE SYSTEM SHALL BE INSTALLED ON THE NORTH SIDE OF SPAN 7 TO DIVERT WATER FROM THE ROOF OF THE QUINCY WATER PLANT.
2. TO GAIN ACCESS TO THE WATER PLANT PREMISES CONTACT ADAM BARNARD OR PAT MURRY AT (217)228-4590.
3. ALL EXTERIOR SURFACES OF THE PIPE AND FITTINGS SHALL BE THE LIGHT GRAY MUNSSELL 10Y 7/1 LIGHT GRAY.
4. PIPE HANGERS SHALL BE PROVIDED ON ALL HORIZONTAL PIPES AT EACH TEE, ELBOW, OR CHANGE IN DIRECTION AND AT THE INTERMEDIATE POINTS NOT MORE THAN 5'-0" ON CENTERS.
5. THE CONTRACTOR MAY USE ALTERNATE PIPE HANGERS, THE PIPE HANGERS SHALL HAVE A LOAD CAPACITY OF NOT LESS THAN 500 LBS. AND SHALL BE DESIGNED SO AS NOT TO APPLY EXCESSIVE COMPRESSIVE STRESS TO THE PIPE. ALTERNATE PIPE HANGER DESIGNS MUST BE APPROVED BY THE ENGINEER PRIOR TO USE.

REVISIONS	
NAME	DATE

ILLINOIS DEPARTMENT OF TRANSPORTATION
BRIDGE DRAINAGE SYSTEM
 FAP 63 (U.S. 24)
 SECTION (12B)-4
 ADAMS COUNTY

SCALE: VERT. _____
 HORIZ. _____
 DATE 05/24/2010

DRAWN BY TDS
 CHECKED BY SWB

Added sheet 5-26-10

DATE: _____
 FILE: _____
 SCALE: _____
 USER: _____