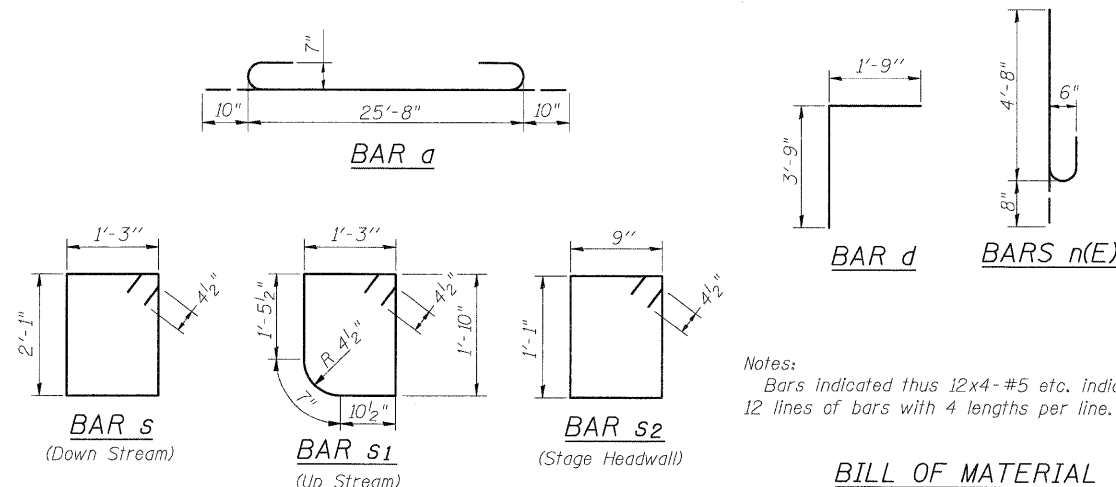
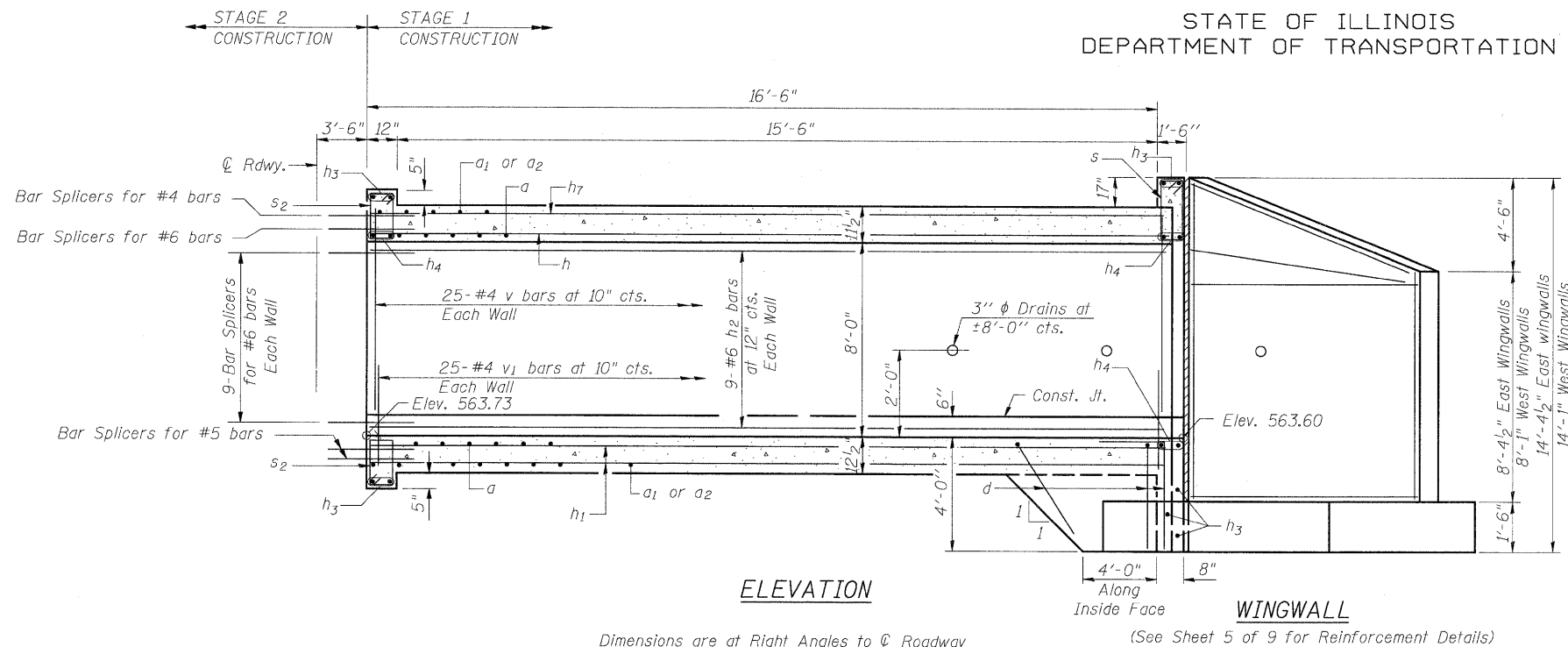


STATE OF ILLINOIS
DEPARTMENT OF TRANSPORTATION

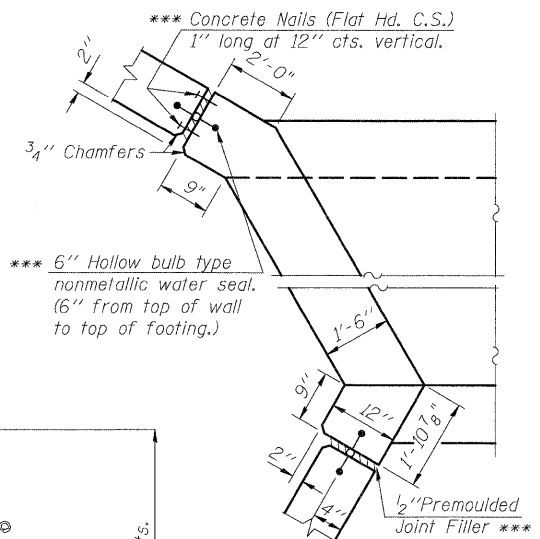
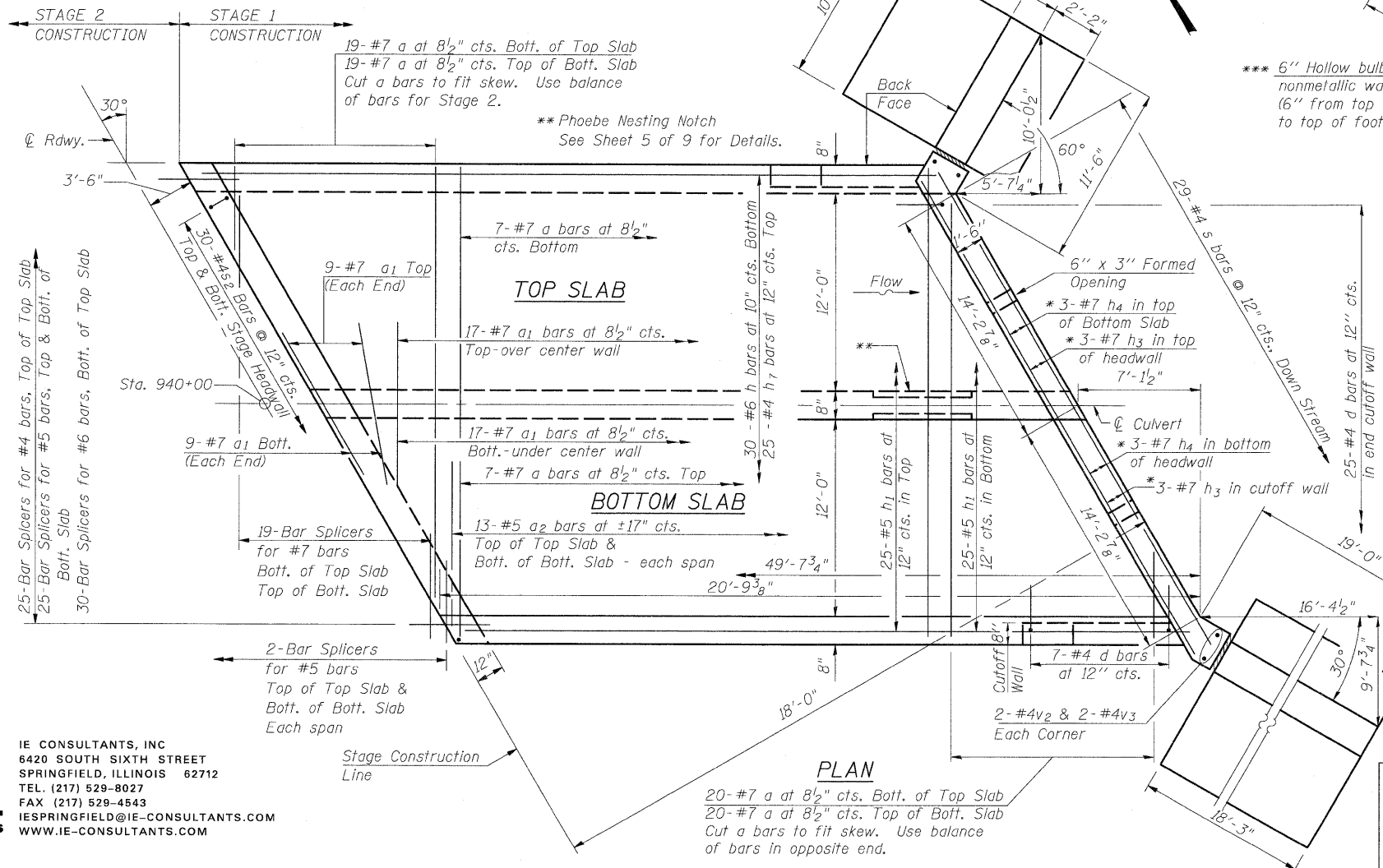
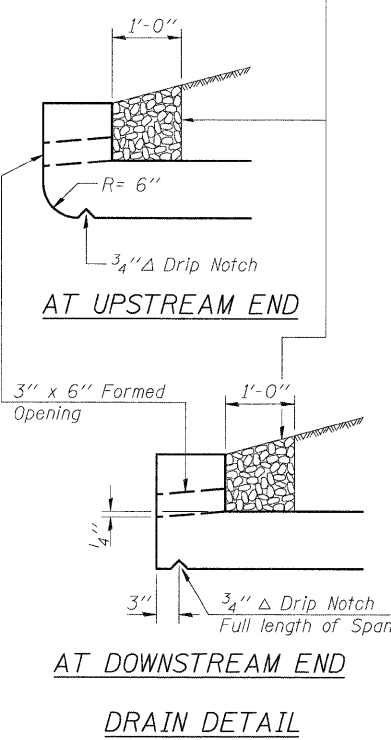


Notes:
Bars indicated thus 12x4-#5 etc. indicates 12 lines of bars with 4 lengths per line.

BILL OF MATERIAL

Bar	No.	Size	Length	Shape
a	130	#7	27'-4"	
a1	166	#7	11'-0"	
a2	132	#5	9'-1"	
d	78	#4	5'-6"	
h	30	#6	20'-6"	
h1	50	#5	20'-6"	
h2	27	#6	20'-6"	
h3	18	#7	28'-2"	
h4	18	#7	29'-8"	
h5	38	#4	10'-6"	
h6	38	#4	18'-0"	
h7	25	#4	20'-6"	
h8	30	#6	28'-6"	
h9	50	#5	28'-6"	
h10	27	#6	28'-6"	
h11	25	#4	28'-6"	
n(E)	70	#6	5'-4"	
s	29	#4	7'-5"	
s1	29	#4	6'-9"	
s2	60	#4	4'-5"	
t	136	#4	6'-5"	
v	180	#4	8'-3"	
v1	180	#4	2'-8"	
v2	8	#4	9'-11"	
v3	8	#4	5'-8"	
v4	20	#4	7'-6"	
v5	10	#4	8'-3"	
v6	20	#4	9'-3"	
v7	20	#4	10'-6"	
v8	20	#4	12'-6"	
w	20	#5	18'-0"	
w1	20	#5	10'-6"	
Concrete Box Culverts			Cu. Yd.	177.8
Reinforcement Bars, Epoxy Coated			Pound	570
Reinforcement Bars			Pound	26,570
Bar Splicers			Each	178

Coarse aggregate full length of both headwalls. To be placed by Grading Contractor. Cost included with Concrete Box Culverts.



CORNER DETAIL
*** (Cost of all items shall be included in the cost of Concrete Box Culverts.)
* Typical each end and Stage Headwall.

STAGE 1 CULVERT DETAILS
S.N. 026-2020

DESIGNED	SCD
CHECKED	DRB
DRAWN	THW
CHECKED	-

ie consultants
IE CONSULTANTS, INC
8420 SOUTH SIXTH STREET
SPRINGFIELD, ILLINOIS 62712
TEL. (217) 529-8027
FAX (217) 529-4543
IESPRINGFIELD@IE-CONSULTANTS.COM
WWW.IE-CONSULTANTS.COM

SHEET NO. 4 OF 9 SHEETS	F.A. RTE.	SECTION	COUNTY	TOTAL SHEETS	SHEET NO.
	*	114B-1(1) & 114B-1(2)	FAYETTE	54	22
* F.A.P. RTE. 750, F.A.S. RTE. 719		CONTRACT NO. 74110			
FED. ROAD DIST. NO. _ ILLINOIS FED. AID PROJECT					