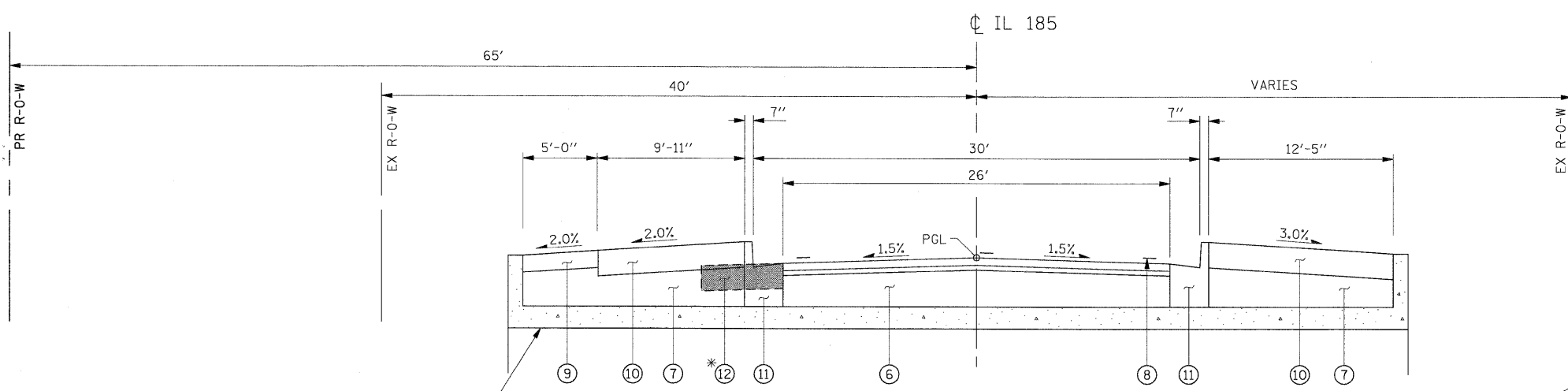
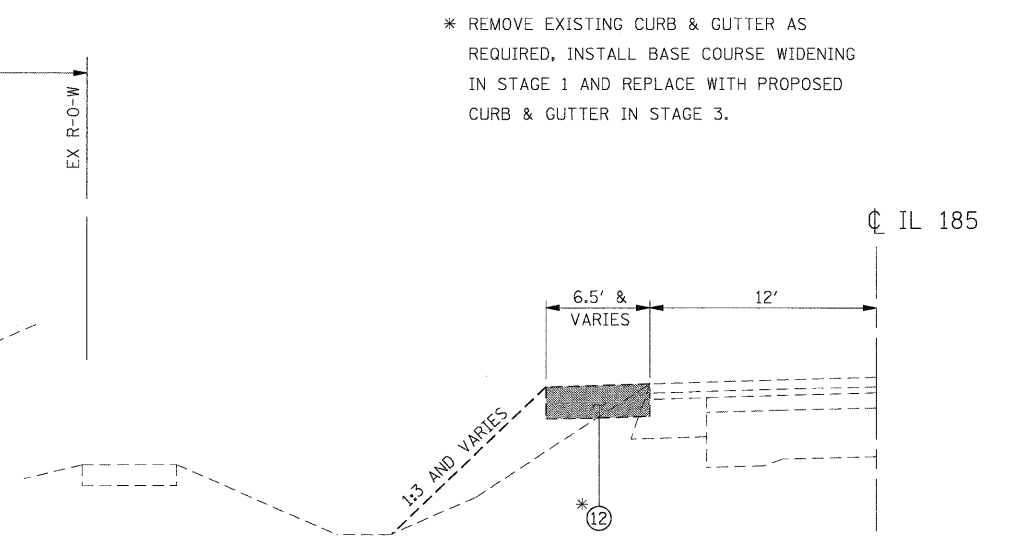


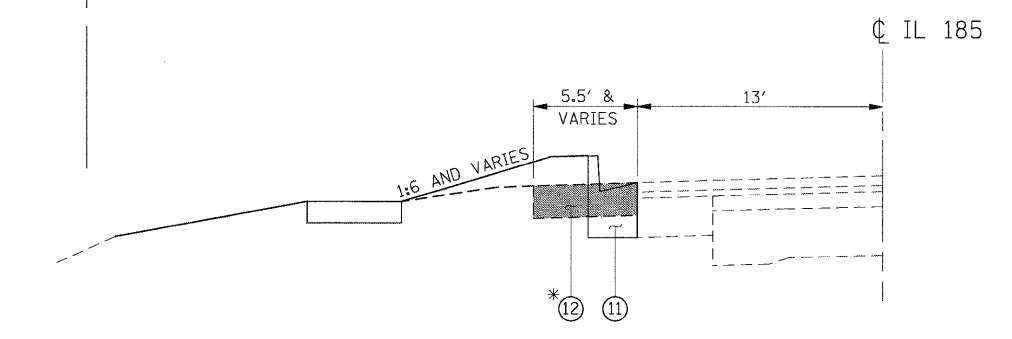
PROPOSED TYPICAL SECTION
 STA. 1033+05 TO 1033+39
 STA. 1033+69 TO STA. 1034+05



PROPOSED TYPICAL SECTION
 STA. 1033+39 TO STA. 1033+69

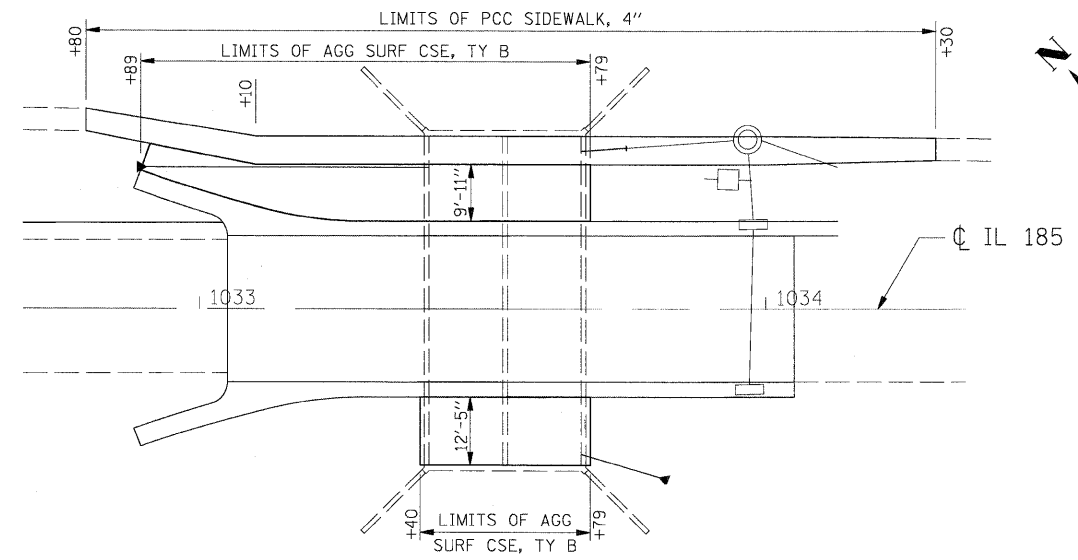


PROPOSED TYPICAL SECTION
 STA. 1030+85 TO STA. 1033+05
 (SEE "MAINTENANCE OF TRAFFIC PLANS")



PROPOSED TYPICAL SECTION
 STA. 1034+05 TO STA. 1036+25
 (SEE "MAINTENANCE OF TRAFFIC PLANS")

PR BOX CULVERT
 DOUBLE 13' x 10'



SIDEWALK PLAN

* REMOVE EXISTING CURB & GUTTER AS REQUIRED, INSTALL BASE COURSE WIDENING IN STAGE 1 AND REPLACE WITH PROPOSED CURB & GUTTER IN STAGE 3.

LEGEND

- ① EX P.C.C. PAVEMENT - 9"-6"-9"
- ② EX SUPERPAVE, MIX "C", N50, (1 1/2")
- ③ EX LEVELING BINDER, (MM), SUPERPAVE, N50, (1")
- ④ EX PCC BASE COURSE WIDENING, 9"
- ⑤ EX CONCRETE CURB AND GUTTER, TYPE B-6.24
- ⑥ HMA PAVEMENT (FULL-DEPTH), 13 1/2 "
- ⑦ AGGREGATE BASE COURSE, TYPE B
- ⑧ PAINT PVEMENT MARKING - LINE 4"
- ⑨ PCC SIDEWALK, 4 INCH
- ⑩ AGGREGATE SURFACE COURSE, TYPE B
- ⑪ COMBINATION CONCRETE C & G, TY B-6.24
- ⑫ BASE COURSE WIDENING 8"

FILE NAME =	USER NAME = IE Consultants	DESIGNED -	REVISED -
G:\508026-5\Cadd Sheets\0774111-sht-Typal02.dgn		DRAWN -	REVISED -
		CHECKED -	REVISED -
		DATE -	REVISED -

**STATE OF ILLINOIS
 DEPARTMENT OF TRANSPORTATION**

TYPICAL SECTIONS			
SCALE:	SHEET NO.	OF SHEETS	STA. TO STA.

PROPOSED S.N. 026-2019			
F.A. RTE.	SECTION	COUNTY	TOTAL SHEETS
	114B-1(1) & 114B-1(2)	FAYETTE	54
	F.A.P. RTE. 750, F.A.S. RTE. 719	CONTRACT NO. 74110	SHEET NO. 32
FED. ROAD DIST. NO. ILLINOIS FED. AID PROJECT			