

**SEQUENCE OF CONSTRUCTION:**

**STAGE 3 TRAFFIC:**

REMOVE TEMPORARY TRAFFIC SIGNALS AND TEMPORARY CONCRETE BARRIER.

OPEN TWO LANES OF TRAFFIC AND SHIFT SOUTH AS SHOWN.

SET UP TEMPORARY TRAFFIC CONTROL USING THESE PLANS IN CONJUNCTION WITH STANDARD 701326.

**STAGE 3 CONSTRUCTION:**

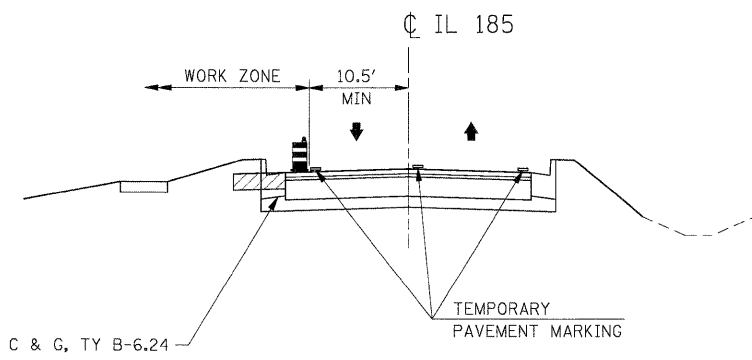
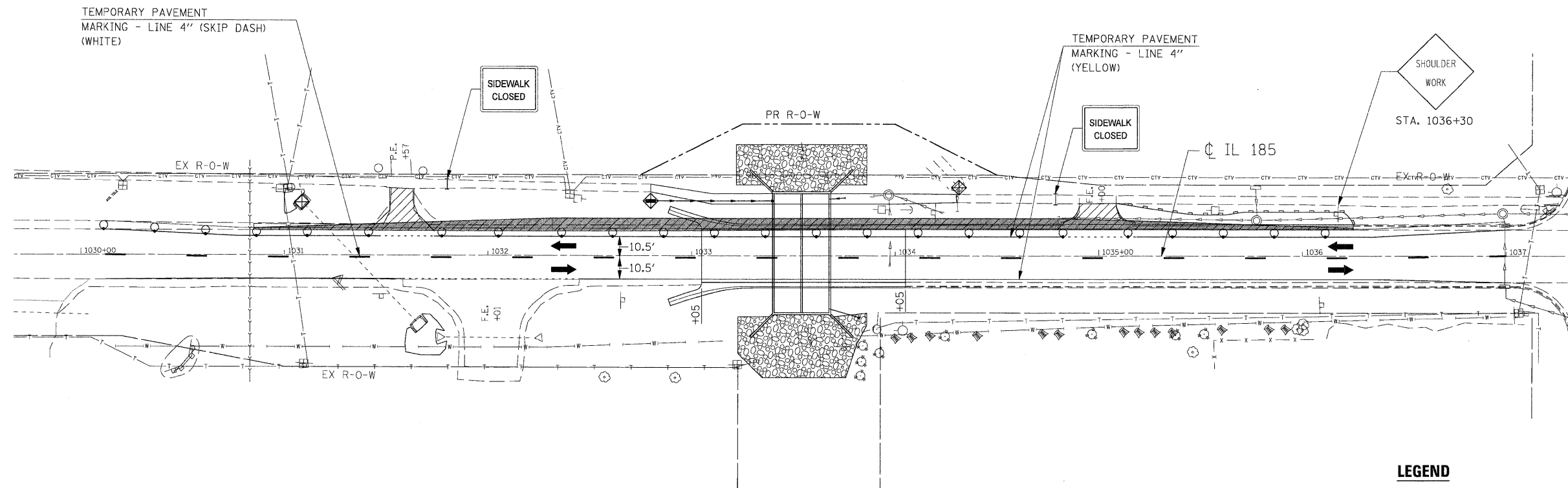
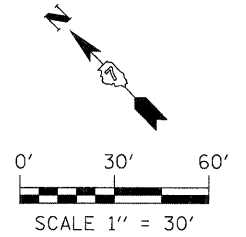
REMOVE TEMPORARY WIDENING, CONSTRUCT CURB & GUTTER AND ENTRANCES.

**POST-STAGE TRAFFIC:**

SHIFT TRAFFIC AS NEEDED TO CONSTRUCT FINAL PAVEMENT UTILIZING STANDARD 701306.

**POST-STAGE CONSTRUCTION:**

FOLLOWING COMPLETION OF STAGE 3, CONSTRUCT FINAL ROADWAY AND SHOULDER SURFACE, AGGREGATE SHOULDERS, FINAL STRIPING, GRADING AND SEEDING.



**STAGE 3 TYPICAL SECTION**

**GENERAL STAGING NOTES:**

1. ACCESS MUST BE PROVIDED TO ALL F.E.'s. NO SIGNALS WILL BE REQUIRED.
2. THIS TRAFFIC CONTROL PLAN SHALL BE USED IN CONJUNCTION WITH STANDARD 701326 AND AS DIRECTED BY THE ENGINEER.

**LEGEND**

- ⊥ SIGN
- DRUM WITH STEADY BURNING LIGHT (BI-DIRECTIONAL)
- I TYPE II BARRICADE
- TRAFFIC SIGNAL
- ▬ TEMPORARY CONCRETE BARRIER
- ▨ IMPACT ATTENUATOR, TEMPORARY
- ▧ PAVEMENT REMOVAL
- ➔ DIRECTION OF TRAFFIC
- TT TYPE III BARRICADE
- ◇ LOOP DETECTORS
- ▩ DOUBLE VERTICAL PANEL

FILE NAME = G:\S08026-6\Cadd Sheets\0774111-sht-Stage3.dgn	USER NAME = IE Consultants	DESIGNED -	REVISED -	<b>STATE OF ILLINOIS DEPARTMENT OF TRANSPORTATION</b>	<b>MAINTENANCE OF TRAFFIC - STAGE 3</b>				F.A. RTE.	SECTION	COUNTY	TOTAL SHEETS	SHEET NO.
	PLOT SCALE = 30.0000' / IN.	DRAWN -	REVISED -						* F.A.P. RTE. 750, F.A.S. RTE. 719	114B-1(1) & 114B-1(2)	FAYETTE	54	40
PLOT DATE = 9/29/2009	CHECKED -	REVISED -	REVISED -	SCALE: SHEET NO. OF SHEETS STA. TO STA.				FED. ROAD DIST. NO. [ILLINOIS] FED. AID PROJECT CONTRACT NO. 74110					

**PROPOSED S.N. 026-2019**