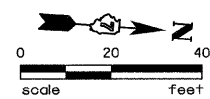


- NOTES:**
1. THE COST OF TYPE III BARRICADES, DRUMS WITH STEADY BURNING LIGHTS AND ARROW BOARDS, SHALL BE INCLUDED IN THE COST OF TRAFFIC CONTROL AND PROTECTION, SPECIAL.
 2. THE TEMPORARY CONCRETE BARRIER SHALL BE SET PRIOR TO SAWING OF THE CONSTRUCTION JOINTS.
 3. ONCE THE PROPOSED CONNECTOR PAVEMENT AND BRIDGE WORK IS COMPLETE, AND PRIOR TO OPENING ALL LANES TO TRAFFIC, THE PROPOSED HMA SURFACE/BINDER WORK IN THE RIGHT LANE SHALL BE COMPLETED.
 4. ADDITIONAL LANE ONLY ALLOWED TO BE CLOSED FROM 6:00 P.M. TO 6:00 A.M. SEE SPECIAL PROVISIONS FOR ADDITIONAL DETAILS.

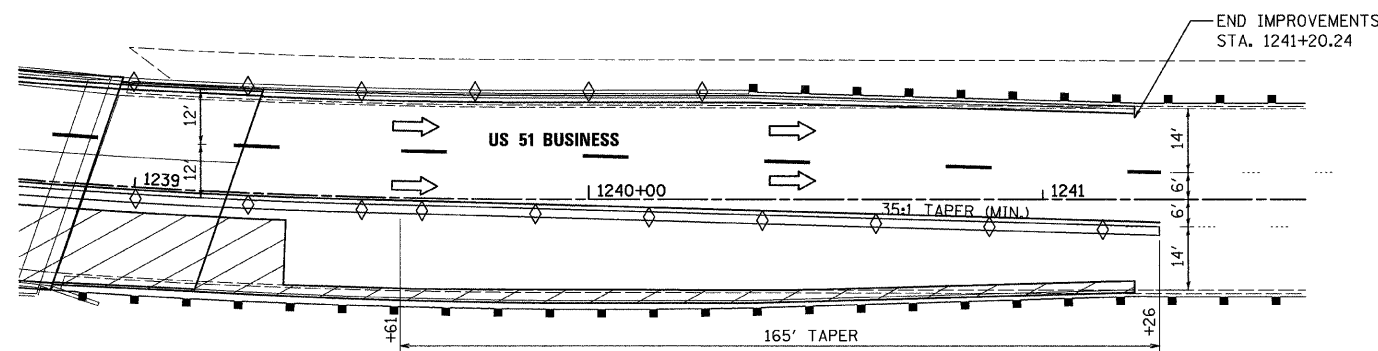
APPROACH END



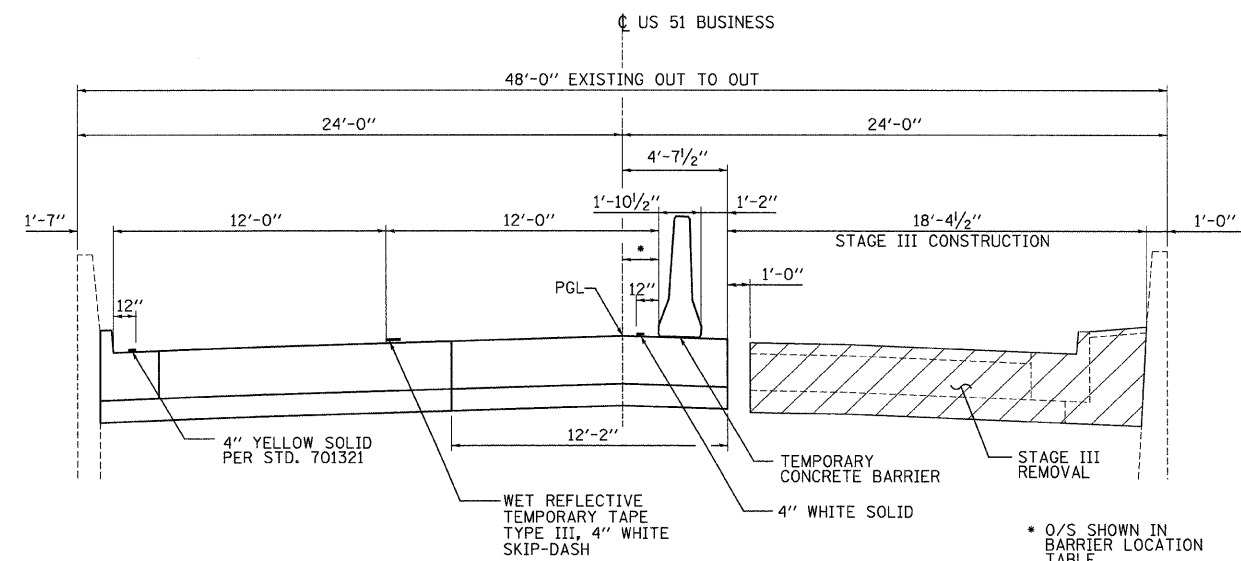
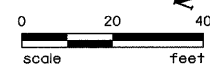
| TEMP. CONCRETE BARRIER LOCATIONS | |
|----------------------------------|---------|
| STATION | OFFSET |
| 1232+14.00 | 6.0' RT |
| 1232+50.00 | 1.6' RT |
| 1239+61.00 | 1.6' RT |
| 1241+26.00 | 6.0' RT |

LEGEND

- TRAFFIC FLOW ARROW
- SINGLE ARROW BOARD
- DOUBLE ARROW BOARD



DEPARTURE END



STAGE III PAVEMENT REMOVAL

* O/S SHOWN IN BARRIER LOCATION TABLE

FILE NAME = X:\ACH\VE\2007\07\07\ad\Plans\PROPOSED-STAGE3.dgn

| | | |
|----------------------------|-------------------|-----------|
| USER NAME = msj | DESIGNED - JLF | REVISED - |
| PLOT SCALE = 20.0000' / 1" | DRAWN - JDK | REVISED - |
| PLOT DATE = 3/12/2010 | CHECKED - DAR/TLO | REVISED - |
| | DATE - 09/24/2009 | REVISED - |

**STATE OF ILLINOIS
DEPARTMENT OF TRANSPORTATION**

US 51 BUSINESS TRAFFIC CONTROL PLANS - STAGE III

SCALE: SHEET NO. OF SHEETS STA. TO STA.

| | | | | |
|--------------------|---------------------|--------------|---------------------------|--------------|
| F.A.P. RTE. 710 | SECTION (502-VB) BR | COUNTY MACON | TOTAL SHEETS 79 | SHEET NO. 16 |
| CONTRACT NO. 74215 | | | ILLINOIS FED. AID PROJECT | |