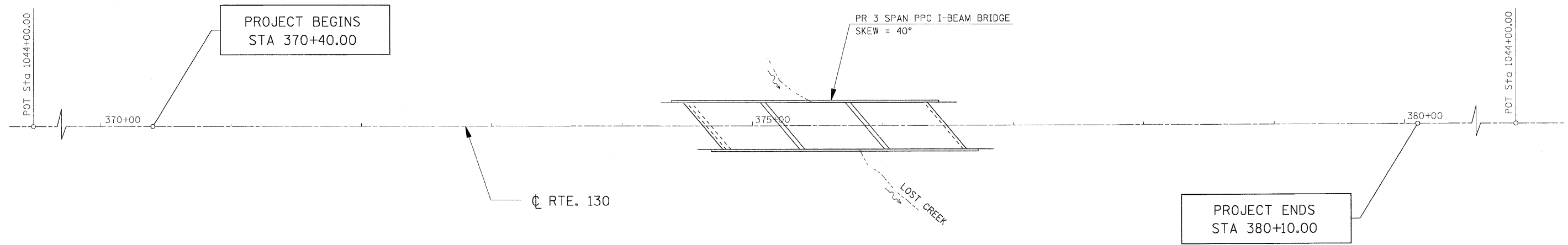
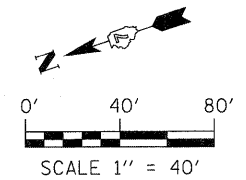
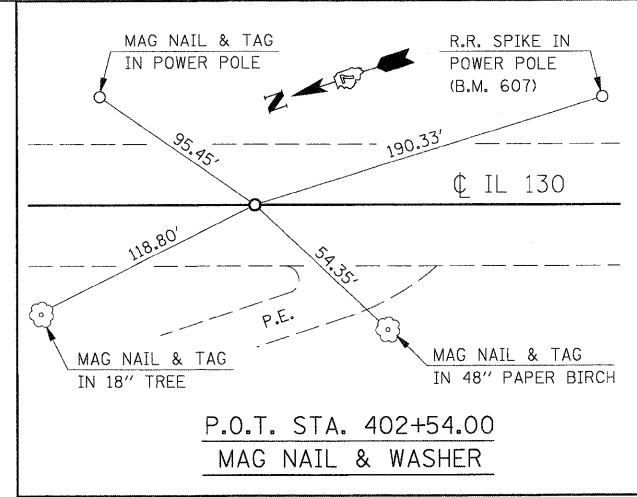


BENCHMARK 611
 RAILROAD SPIKE IN POWER POLE, 45' EAST OF THE CENTERLINE OF IL 130, 220' NORTH OF LOST CREEK STA. 373+35, 45' LT., EL 533.796



BENCHMARK 610
 CHISELED SQUARE ON THE NORTHWEST WINGWALL OF A BRIDGE OVER LOST CREEK, 19' WEST OF THE CENTERLINE OF IL 130. STA. 374+90, 19' RT., EL 540.535

BENCHMARK 609
 CHISELED SQUARE ON THE SOUTHWEST WINGWALL OF A BRIDGE OVER LOST CREEK, 19' WEST OF THE CENTERLINE OF IL 130. STA. 376+50, 19' RT., EL 540.579

FILE NAME =	USER NAME = IE Consultants	DESIGNED -	REVISED -	STATE OF ILLINOIS DEPARTMENT OF TRANSPORTATION	ALIGNMENT, TIES & BENCHMARKS	F.A.P. RTE.	SECTION	COUNTY	TOTAL SHEETS	SHEET NO.	
GRS88226-7ACADD Sheets\0774236-shr-ATB.dgn		DRAWN -	REVISED -			116	(112BR1)B	CUMBERLAND	72	13	
PLOT SCALE = 48.0000' / IN.		CHECKED -	REVISED -			CONTRACT NO. 74236					
PLOT DATE = 8/13/2009		DATE -	REVISED -			FED. ROAD DIST. NO. ILLINOIS FED. AID PROJECT					
				SCALE:							
				SHEET NO. OF SHEETS							
				STA. TO STA.							