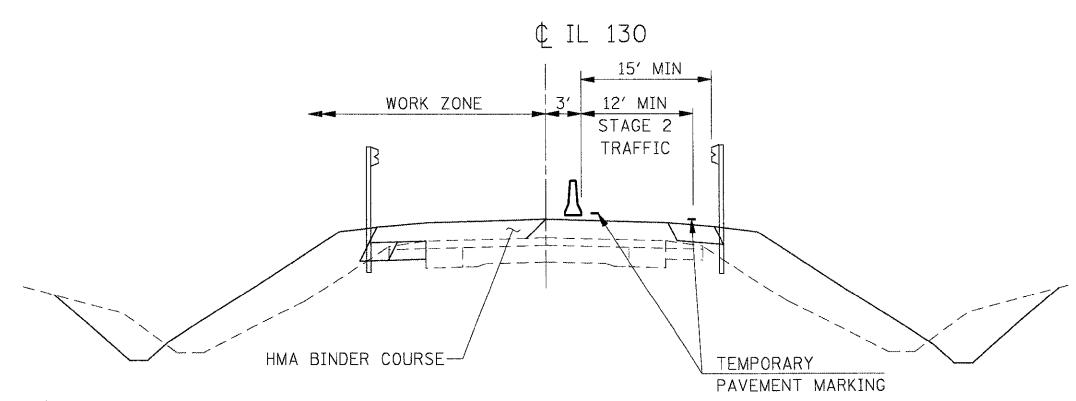


**LEGEND**

- ⊥ SIGN
- ⊙ DRUM WITH STEADY BURNING LIGHT (BIDIRECTIONAL)
- I TYPE II BARRICADE
- TRAFFIC SIGNAL
- ▬ TEMPORARY CONCRETE BARRIER
- ▨ IMPACT ATTENUATOR, TEMPORARY
- ▧ PAVEMENT REMOVAL
- ➔ DIRECTION OF TRAFFIC
- TT TYPE III BARRICADE
- ◇ LOOP DETECTORS
- ▩ DOUBLE VERTICAL PANEL



**STAGE 2 TYPICAL SECTION**  
(SEE "TYPICAL SECTIONS" FOR ADDITIONAL CONSTRUCTION INFORMATION)

FILE NAME =	USER NAME = IE Consultants	DESIGNED -	REVISED -
G:\S00026-7\CADD Sheets\0774236-shr-Steping02-2.dgn		DRAWN -	REVISED -
		CHECKED -	REVISED -
		DATE -	REVISED -

**STATE OF ILLINOIS  
DEPARTMENT OF TRANSPORTATION**

**MAINTENANCE OF TRAFFIC - STAGE 2**

SCALE:	SHEET NO.	OF	SHEETS	STA.	TO STA.
--------	-----------	----	--------	------	---------

F.A.P. RTE.	SECTION	COUNTY	TOTAL SHEETS	SHEET NO.
116	(112BR)B	CUMBERLAND	72	22
CONTRACT NO. 74236				
FED. ROAD DIST. NO. [ILLINOIS] FED. AID PROJECT				