

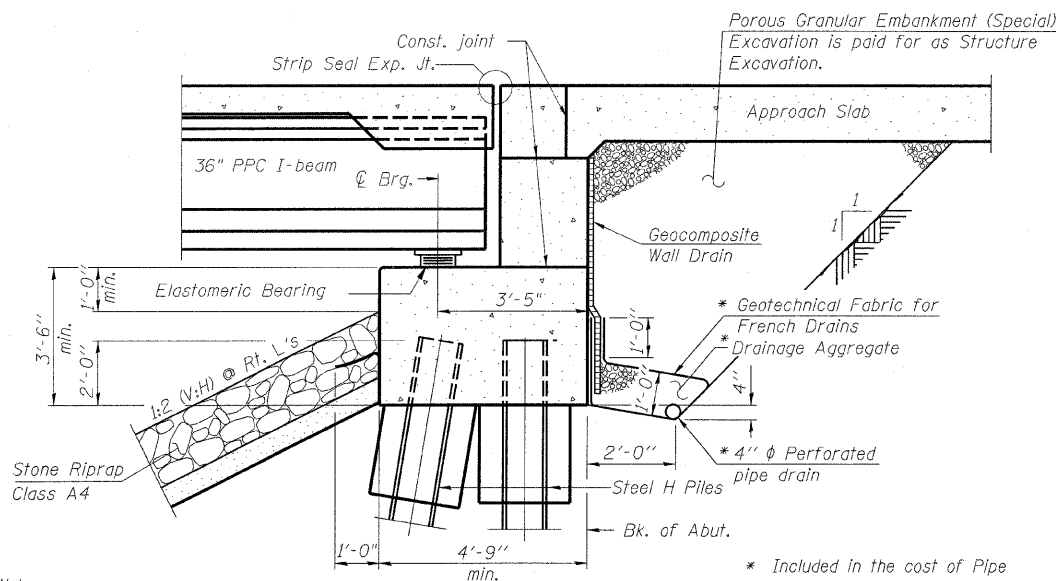
STATE OF ILLINOIS  
DEPARTMENT OF TRANSPORTATION

GENERAL NOTES

Reinforcement bars shall conform to the requirements of ASTM A 706 Gr 60. See Special Provisions.  
Reinforcement bars designated (E) shall be epoxy coated.  
Concrete Sealer shall be applied to the designated areas of the North & South abutments.  
Slipforming of the parapets is not allowed.  
Layout of slope protection system may be varied in the field to suit ground conditions as directed by the Engineer.  
The Contractor shall drive test piles to 110% of the nominal required bearing specified in production locations at substructures specified or approved by the Engineer before ordering the remainder of piles.

TOTAL BILL OF MATERIAL

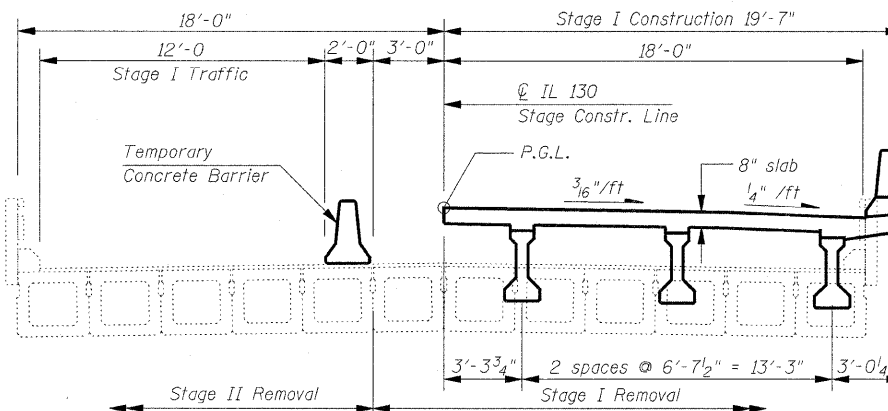
ITEM	UNIT	SUPER	SUB	TOTAL
POROUS GRANULAR EMBANKMENT, SPECIAL	TON		257	257
REMOVAL OF EXISTING STRUCTURES NO. 1	EACH		1	1
STRUCTURE EXCAVATION	CU YD		351.0	351.0
UNDERWATER STRUCTURE EXCAVATION PROTECTION LOCATION 1	EACH		1	1
UNDERWATER STRUCTURE EXCAVATION PROTECTION LOCATION 2	EACH		1	1
CONCRETE STRUCTURES	CU YD		307.0	307.0
CONCRETE SUPERSTRUCTURE	CU YD	380.0		380.0
GEOCOMPOSITE WALL DRAIN	SQ YD		68.0	68.0
PREFORMED JOINT STRIP SEAL	FOOT		98	98
BRIDGE DECK GROOVING	SQ YD	992.0		992.0
CONCRETE ENCASEMENT	CU YD		17.6	17.6
CONCRETE SEALER	SQ FT	1100		1100
PROTECTIVE COAT	SQ YD	899		899
FURNISHING AND ERECTING PRECAST PRESTRESSED CONCRETE, I-BEAM, 36"	FOOT	1064.5		1064.5
STUD SHEAR CONNECTORS	EACH		432	432
REINFORCEMENT BARS, EPOXY COATED	POUND	90,520	22,300	112,820
BAR SPLICERS	EACH	94	941	1035
STONE RIPRAP, CLASS A4	SQ YD		828	828
FILTER FABRIC	SQ YD		828	828
ELASTOMERIC BEARING ASSEMBLY, TYPE 1	EACH	24		24
ANCHOR BOLTS, 1"	EACH		52	52
FURNISHING STEEL PILES HP10X42	FOOT		1,624	1,624
FURNISHING STEEL PILES HP10X57	FOOT		1,276	1,276
DRIVING PILES	FOOT		2,900	2,900
TEST PILE STEEL HP10X42	EACH		2	2
TEST PILE STEEL HP10X57	EACH		2	2
NAME PLATES	EACH	1		1
PIPE UNDERDRAINS FOR STRUCTURES 4"	FOOT		164	164
TEMPORARY SOIL RETENTION SYSTEM	SQ FT		276	276
MECHANICAL SPLICERS	EACH		120	120
ASBESTOS BEARING PAD REMOVAL	EACH		48	48



SECTION THRU PILE SUPPORTED  
STUB ABUTMENT  
(Horiz. dim. @ Rt. L's)

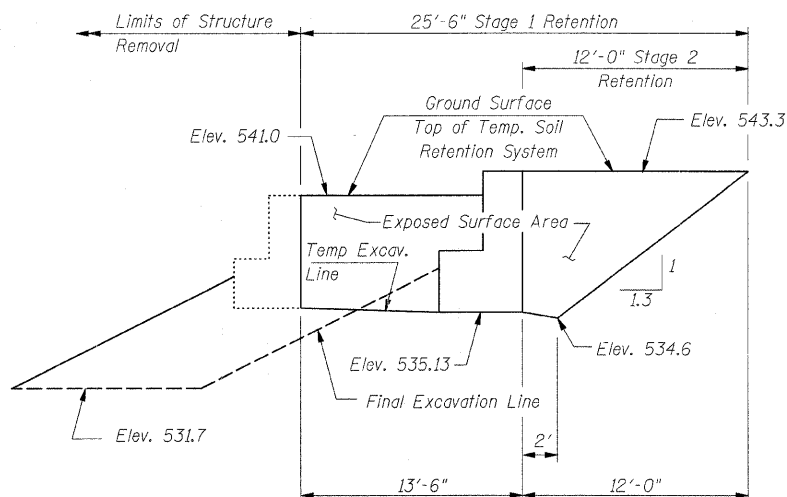
Note:  
All drainage system components shall extend to 2'-0" from the end of each wingwall except an outlet pipe shall extend until intersecting with the side slopes. The pipes shall drain into concrete headwalls. (See Article 601.05 of the Standard Specifications and Highway Standard 601101).

\* Included in the cost of Pipe Underdrain for Structures.



STAGE CONSTRUCTION - CROSS SECTION  
(Looking South)

NOTE:  
Staging for substructure is not the same as staging for superstructure.

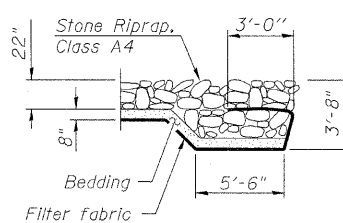


TEMPORARY SOIL RETENTION SYSTEM  
(N. Abut. shown - S. Abut. similar)

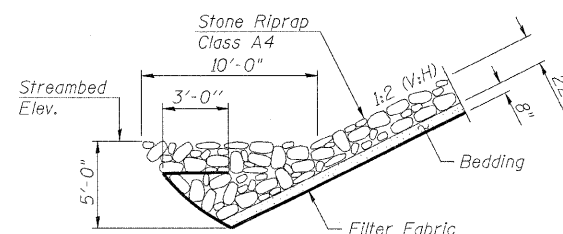
A cantilevered sheet piling design does not appear feasible and additional members or other retention systems may be necessary. The Contractor shall submit a temporary soil retention system design including plan details and calculations for review and acceptance by the Engineer.

DESIGNED	SCD
CHECKED	DRB
DRAWN	THW
CHECKED	SCD

**ie** CONSULTANTS, INC.  
8420 SOUTH SIXTH STREET  
SPRINGFIELD, ILLINOIS 62712  
TEL. (217) 529-8927  
FAX (217) 529-4543  
WWW.IE-CONSULTANTS.COM



SECTION B-B



SECTION A-A

INDEX OF SHEETS

1. GENERAL PLAN & ELEVATION
2. GENERAL DATA
3. FOOTING LAYOUT
4. DECK ELEVATION LAYOUT
- 5.-8. DECK ELEVATIONS
- 9.-10. APPROACH SLAB ELEVATIONS
11. DECK PLAN
12. SUPERSTRUCTURE DETAILS
13. DIAPHRAGM DETAILS
14. PREFORMED JOINT STRIP SEAL
- 15.-16. BRIDGE APPROACH SLAB DETAILS
17. FRAMING PLAN
18. 36" P.P.C. I-BEAM, SPANS 1 & 3
19. 36" P.P.C. I-BEAM DETAILS, SPANS 1 & 3
20. 36" P.P.C. I-BEAM, SPAN 2
21. 36" P.P.C. I-BEAM DETAILS, SPAN 2
22. BEARING DETAILS
23. NORTH ABUTMENT
24. NORTH ABUTMENT DETAILS
25. SOUTH ABUTMENT
26. SOUTH ABUTMENT DETAILS
27. PIER 1 DETAILS
28. PIER 2 DETAILS
29. HP PILE DETAILS
30. BAR SPLICER ASSEMBLY DETAILS
31. TEMPORARY CONCRETE BARRIER FOR STAGE CONSTRUCTION
- 32.-33. SOIL BORINGS

GENERAL DATA  
S.N. 018-0064

SHEET NO. 2 OF 33 SHEETS	F.A.P. RTE.	SECTION	COUNTY	TOTAL SHEETS	SHEET NO.
	116	(112BR1)B	CUMBERLAND	72	33
FED. ROAD DIST. NO. - ILLINOIS FED. AID PROJECT			CONTRACT NO. 74236		