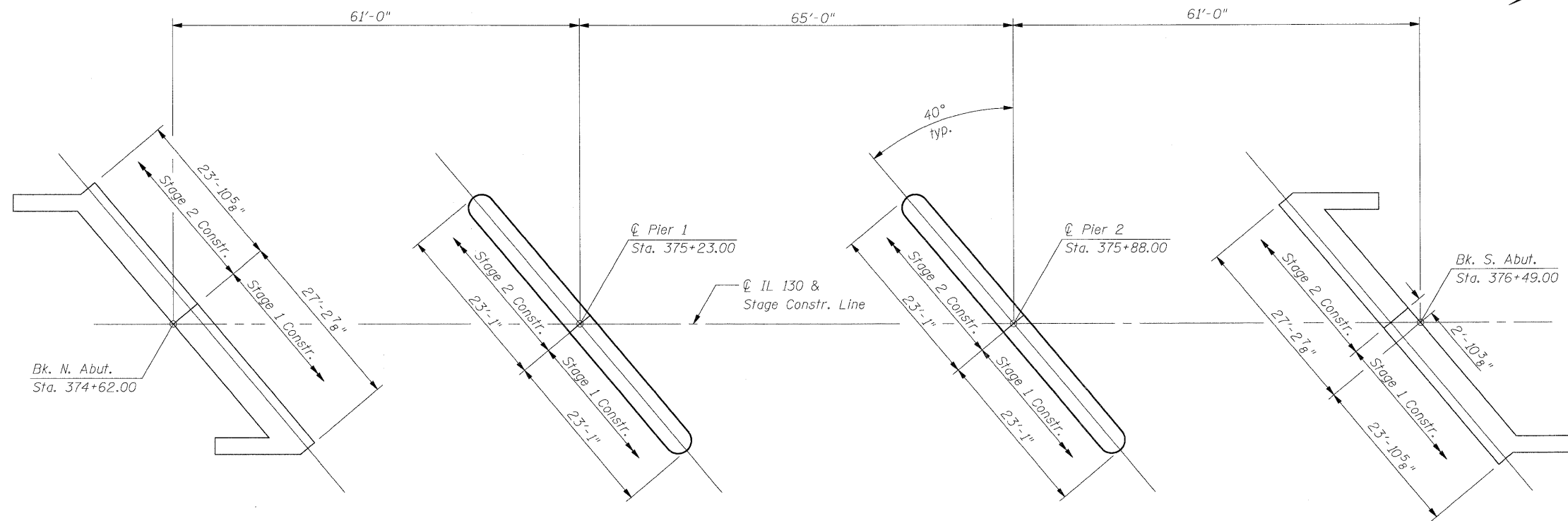


STATE OF ILLINOIS
DEPARTMENT OF TRANSPORTATION



FOOTING LAYOUT

FOOTING LAYOUT
S.N. 018-0064

DESIGNED	SCD
CHECKED	DRB
DRAWN	THW
CHECKED	SCD

ie consultants
IE CONSULTANTS, INC
6420 SOUTH SIXTH STREET
SPRINGFIELD, ILLINOIS 62712
TEL. (217) 529-8027
FAX (217) 529-4543
WWW.IE-CONSULTANTS.COM

SHEET NO.	F.A.P. RTE.	SECTION	COUNTY	TOTAL SHEETS	SHEET NO.
3 OF 33 SHEETS	116	(112BR1)B	CUMBERLAND	72	34
CONTRACT NO. 74236					
FED. ROAD DIST. NO. _ ILLINOIS FED. AID PROJECT					