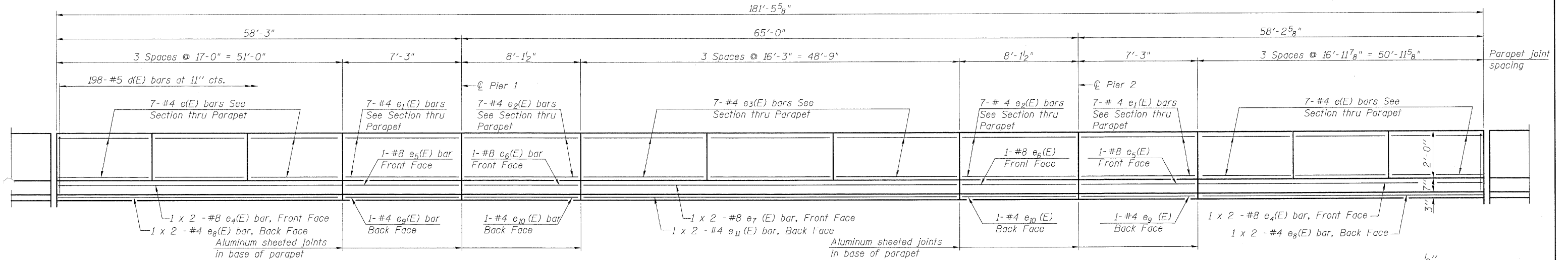


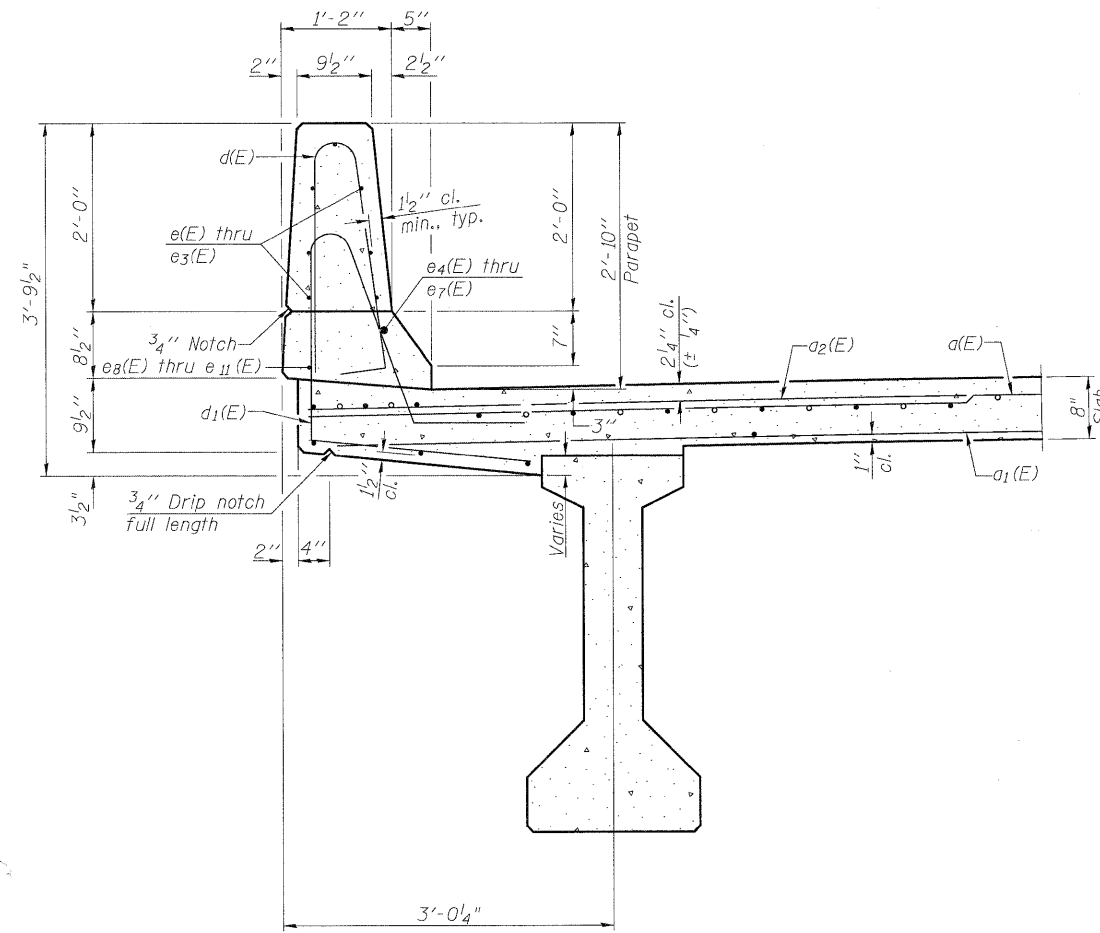
STATE OF ILLINOIS
DEPARTMENT OF TRANSPORTATION



INSIDE ELEVATION OF PARAPET

SUPERSTRUCTURE
BILL OF MATERIAL

Bar	No.	Size	Length	Shape
a(E)	668	#5	19'-3"	—
a1(E)	434	#5	18'-6"	—
a2(E)	672	#6	6'-0"	—
a3(E)	16	#5	25'-2"	—
a4(E)	40	#6	7'-3"	—
a5(E)	4	#6	21'-6"	—
b(E)	294	#5	27'-10"	—
b1(E)	78	#7	33'-6"	—
b2(E)	186	#5	31'-8"	—
d(E)	396	#5	5'-7"	—
d1(E)	396	#5	7'-9"	—
e(E)	84	#4	16'-6"	—
e1(E)	28	#4	6'-10"	—
e2(E)	28	#4	7'-9"	—
e3(E)	42	#4	15'-10"	—
e4(E)	8	#8	27'-9"	—
e5(E)	4	#8	6'-10"	—
e6(E)	4	#8	7'-9"	—
e7(E)	4	#8	26'-7"	—
e8(E)	8	#4	26'-3"	—
e9(E)	4	#4	6'-10"	—
e10(E)	4	#4	7'-9"	—
e11(E)	4	#4	25'-0"	—
m(E)	40	#4	7'-6"	—
m1(E)	20	#6	6'-3"	—
m2(E)	12	#8	5'-6"	—
s(E)	25	#4	10'-10"	U
s1(E)	25	#4	10'-6"	U
x(E)	120	#6	7'-4"	—
x1(E)	120	#6	4'-1"	—
Reinforcement Bars, Epoxy Coated	Lbs.	60,260		
Concrete Superstructure	Cu. Yds.	271.6		
Bars Splicers	Each	629		

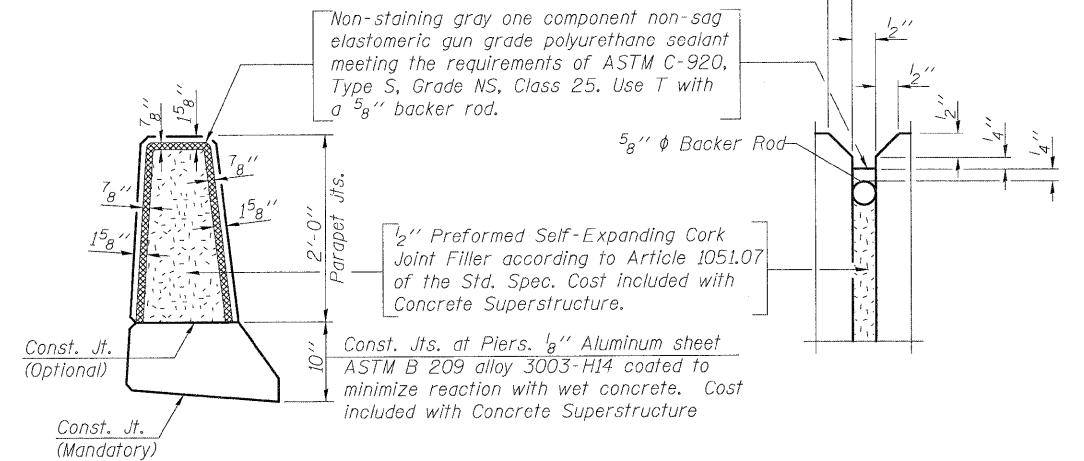


SECTION THRU PARAPET

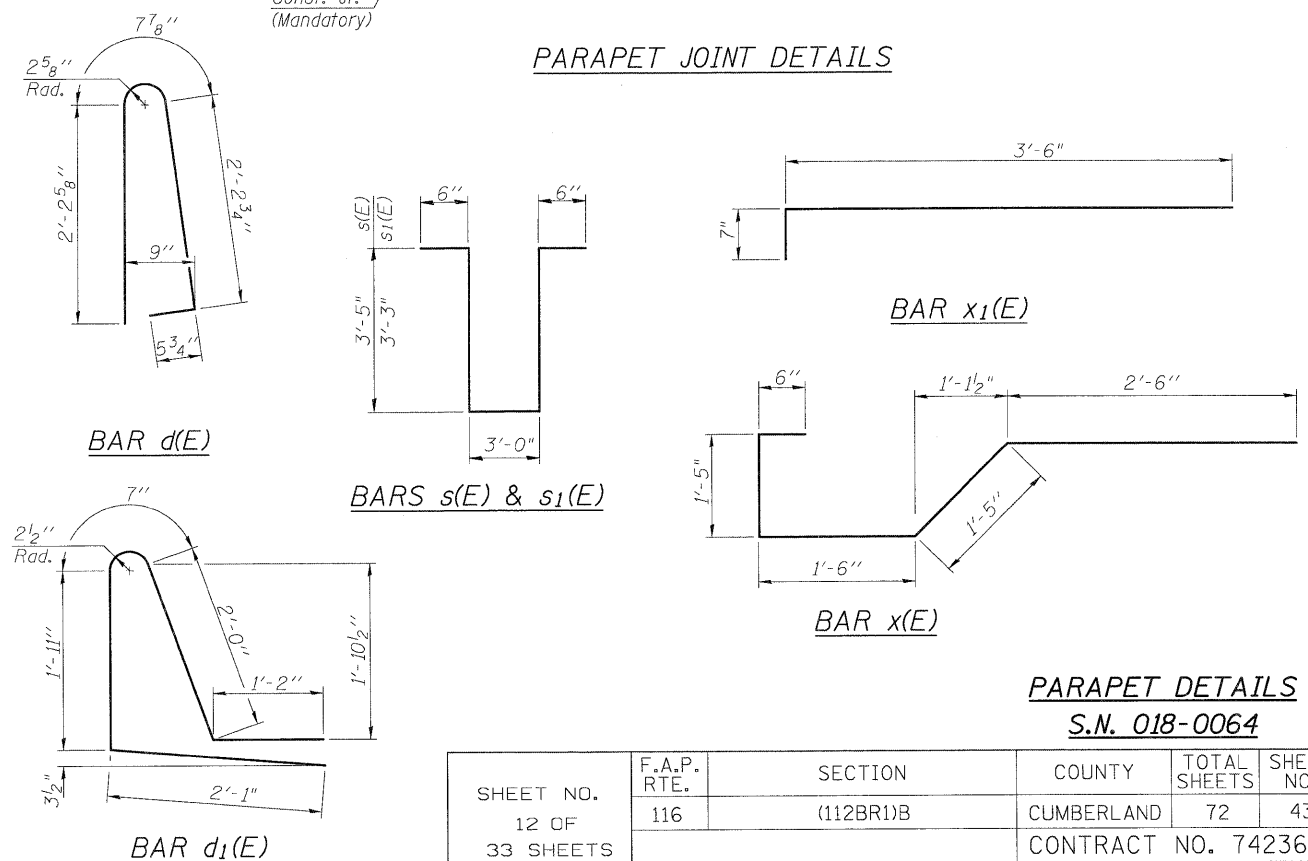
MIN. BAR LAP

#4	1'-9"
#5	2'-2"
#6	2'-7"
#8	4'-7"

Bars indicated thus 1 x 2 - #5 etc. indicates 1 line of bars with 2 lengths per line.



PARAPET JOINT DETAILS



PARAPET DETAILS
S.N. 018-0064

DESIGNED	SCD
CHECKED	DRB
DRAWN	THW
CHECKED	SCD

ie CONSULTANTS, INC
6420 SOUTH SIXTH STREET
SPRINGFIELD, ILLINOIS 62712
TEL. (217) 529-8027
FAX (217) 529-4543
WWW.IE-CONSULTANTS.COM

PI-D

10-1-08

SHEET NO. 12 OF 33 SHEETS	F.A.P. RTE.	SECTION	COUNTY	TOTAL SHEETS	SHEET NO.
	116	(112BR1)B	CUMBERLAND	72	43
CONTRACT NO. 74236					
FED. ROAD DIST. NO. ILLINOIS FED. AID PROJECT					