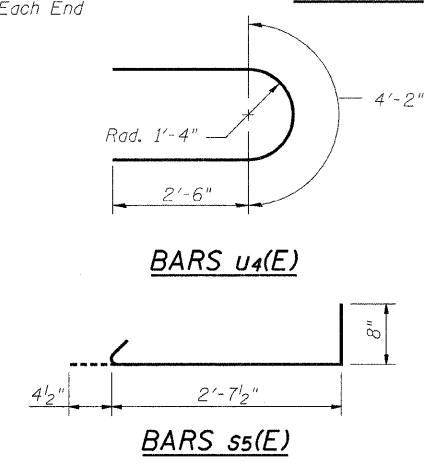
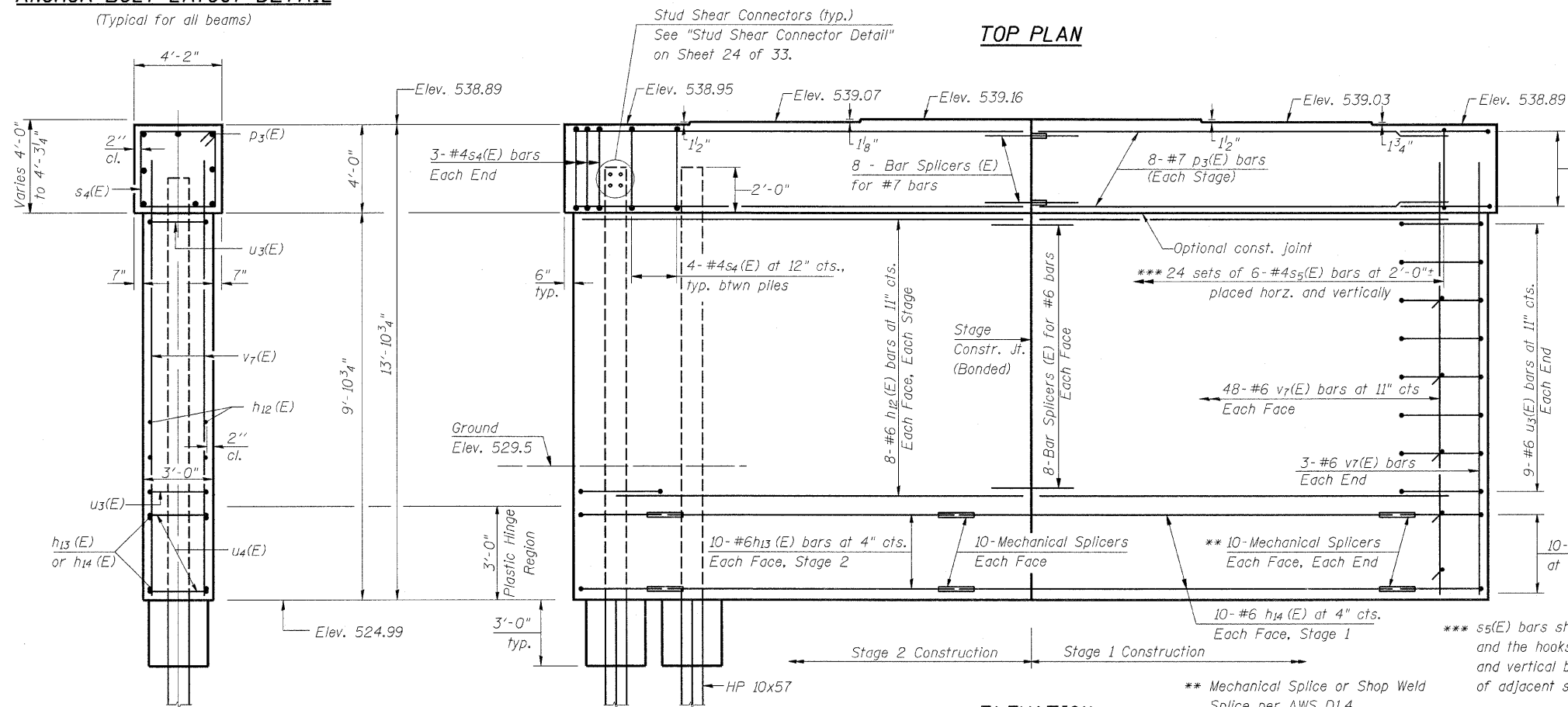
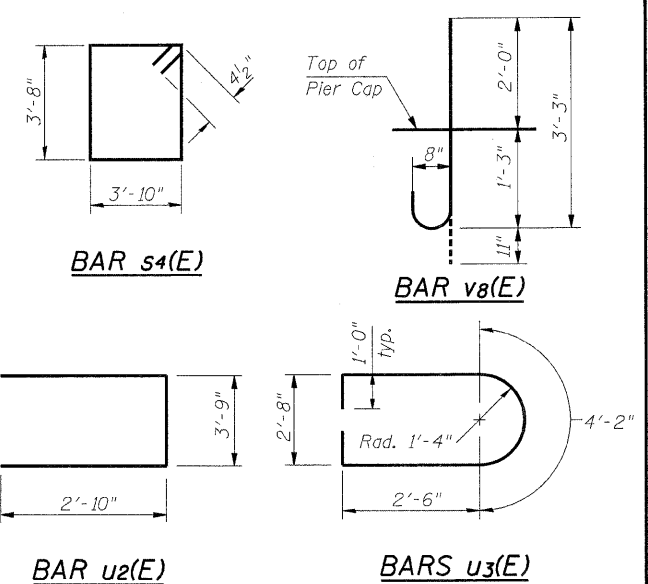
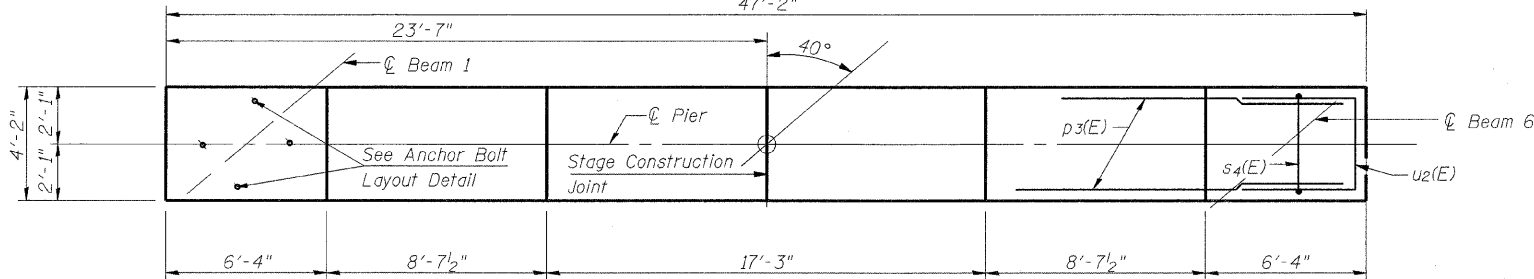
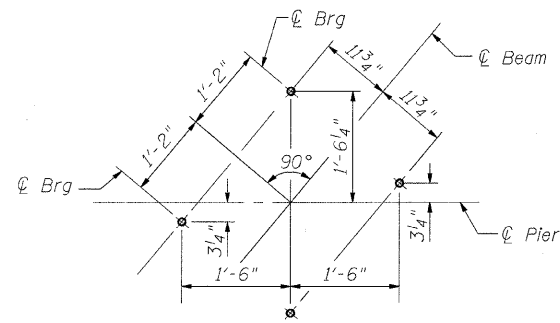


STATE OF ILLINOIS  
DEPARTMENT OF TRANSPORTATION  
47'-2"



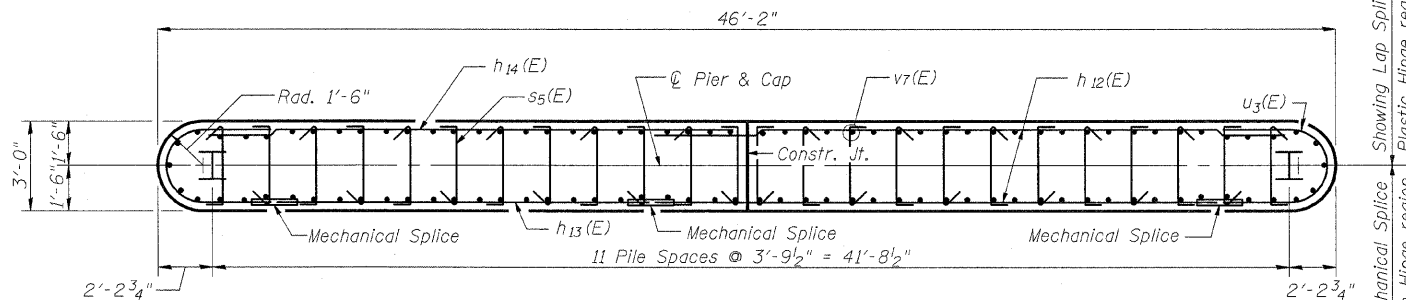
**BILL OF MATERIAL**

Bar	No.	Size	Length	Shape
h <sub>12</sub> (E)	32	#6	21'-6"	—
h <sub>13</sub> (E)	20	#6	16'-6"	—
h <sub>10</sub> (E)	20	#6	24'-0"	—
p <sub>3</sub> (E)	16	#7	23'-3"	—
s <sub>4</sub> (E)	50	#4	15'-9"	□
s <sub>5</sub> (E)	144	#4	3'-8"	┌
u <sub>2</sub> (E)	6	#6	9'-5"	U
u <sub>3</sub> (E)	16	#6	11'-2"	U
u <sub>4</sub> (E)	20	#6	9'-2"	U
v <sub>7</sub> (E)	96	#6	13'-0"	—
v <sub>8</sub> (E)	30	#8	4'-2"	—
Structure Excavation		Cu. Yd.	59.0	
Concrete Structures		Cu. Yd.	80.3	
Reinforcement Bars, Epoxy Coated		Pound	6,730	
Furnishing Steel Piles, HP 10x57		Foot	638	
Driving Piles		Foot	638	
Test Pile, Steel HP10x57		Each	1	
Concrete Encasement Underwater Structure		Cu. Yd.	4.2	
Excavation Protection Location 2		Each	1	
Mechanical Splice		Each	60	
Bar Splicers		Each	24	
Stud Shear Connectors		Each	96	

END VIEW

PILE DATA

Type: HP 10x57  
Nominal Required Bearing: 454 kips  
Factored Resistance Available: 185 kips  
Est. Length: 58'  
No. Production Piles: 11  
No. Test Piles: 1



Notes:  
Space reinforcement in cap to miss anchor bolts.  
Pour steps monolithically with cap.  
For details of piles, see sheet 29 of 33  
If a portion of the pier wall or concrete encasement is under water, reinforcement may be placed underwater into forms. Concrete shall be tremied according to Article 503.08 of the Standard Specifications to an elevation of 1'-0" above the water line at the time of construction.

Min. Bar Lap  
#6 2'-7"

PIER 2 DETAILS  
S.N. 018-0064

DESIGNED	SCD
CHECKED	DRB
DRAWN	THW
CHECKED	SCD

**ie** CONSULTANTS, INC  
6420 SOUTH SIXTH STREET  
SPRINGFIELD, ILLINOIS 62712  
TEL. (217) 528-8027  
FAX (217) 529-4543  
WWW.IE-CONSULTANTS.COM

SHEET NO. 28 OF 33 SHEETS	F.A.P. RTE.	SECTION	COUNTY	TOTAL SHEETS	SHEET NO.
	116	(112BR1)B	CUMBERLAND	72	59
CONTRACT NO. 74236					
FED. ROAD DIST. NO. _ ILLINOIS FED. AID PROJECT					