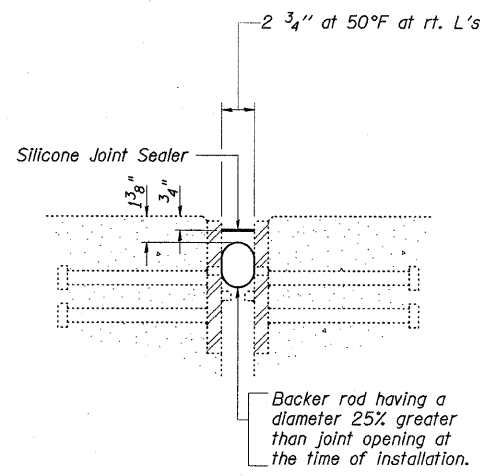
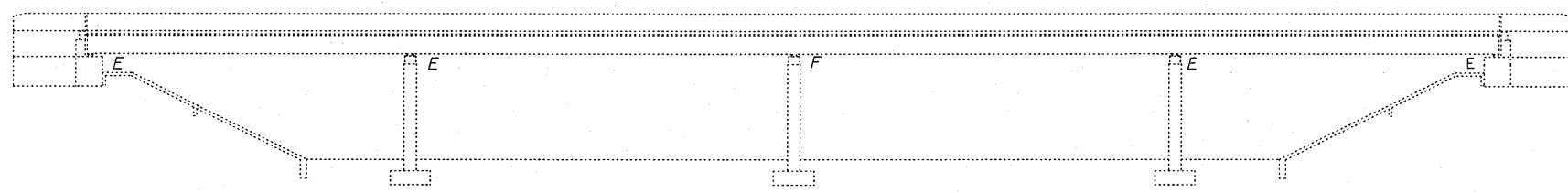


The existing four span steel continuous multi-beam structure was constructed in 1978 as section L-3B-1 at station 1344+00. SN 025-0086 carries US-40 over the Little Wabash River Overflow. Structure repairs were completed in 1999 consisting of new preformed joint seal expansion joints and a new microsilica wearing surface. The proposed project consists of replacing the existing preformed joint seal with a silicone joint sealer.



GENERAL NOTES

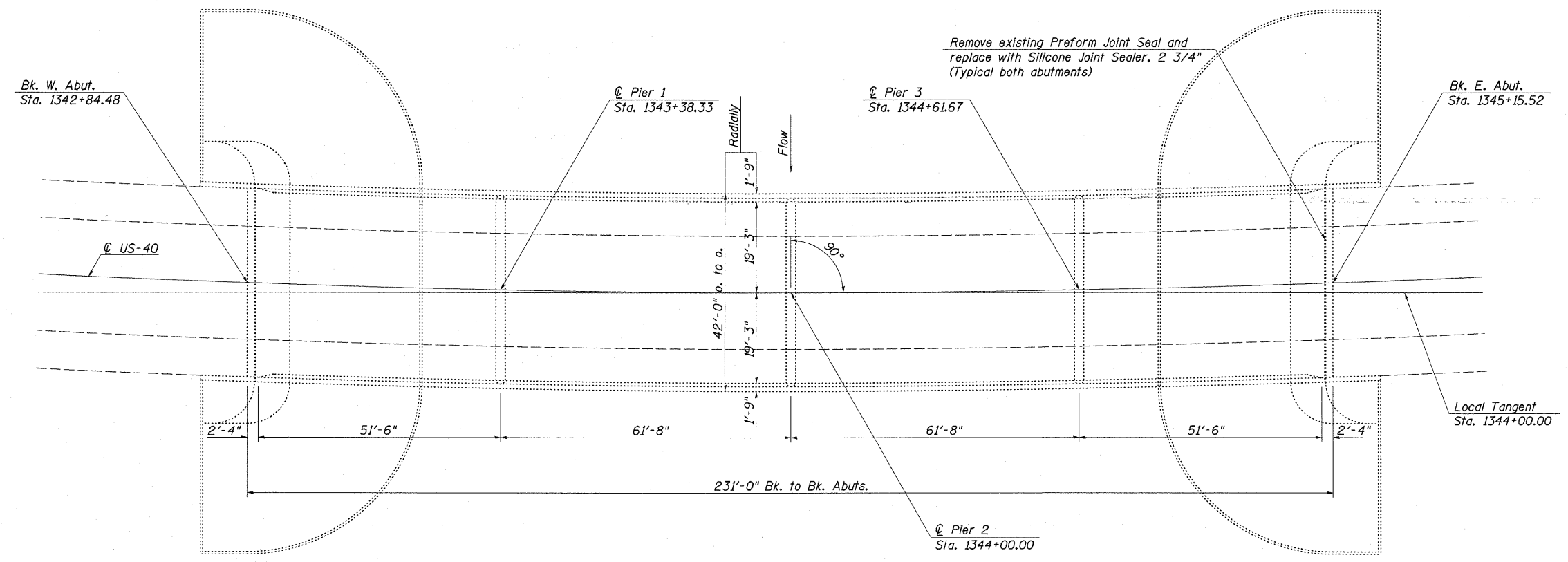
Plan dimensions and details relative to the existing structure have been taken from existing plans and are subject to nominal construction variations. It shall be the Contractor responsibility to verify such dimensions and details in the field and make necessary approved adjustments prior to the construction or ordering of material. Such variations shall not be cause for additional compensation or a change in the scope of the work. The Contractor will be paid for the quantity actually furnished at the unit price bid for the work.

Price per lineal foot for Silicone Joint Sealer, 2 3/4" shall include the removal of the existing joint seal.

TOTAL BILL OF MATERIALS

ITEM DESCRIPTION	UNIT	QUANTITY
Silicone Joint Sealer, 2 3/4"	Foot	84

SILICONE JOINT SEALER DETAIL



FILE NAME =	USER NAME = swartzw	DESIGNED - MEA	REVISED -	STATE OF ILLINOIS DEPARTMENT OF TRANSPORTATION	GENERAL NOTES, BILL OF MATERIALS GENERAL PLAN & ELEVATION S.N. 025-0086		F.A.S. RTE.	SECTION	COUNTY	TOTAL SHEETS	SHEET NO.
c:\pwwork\pwwork\swartzw\dms54418\d77	317-brp.lnprf-0250086.dgn	DRAWN - MEA	REVISED -				2796	(L,KIRS-2	EFFINGHAM	58	45
	PLOT SCALE = 20.0000' / IN.	CHECKED -	REVISED -				CONTRACT NO. 74317				
	PLOT DATE = 3/18/2010	DATE -	REVISED -				ILLINOIS FED. AID PROJECT				
					SCALE: NA	SHEET NO. 1 OF 15 SHEETS	STA.	TO STA.			