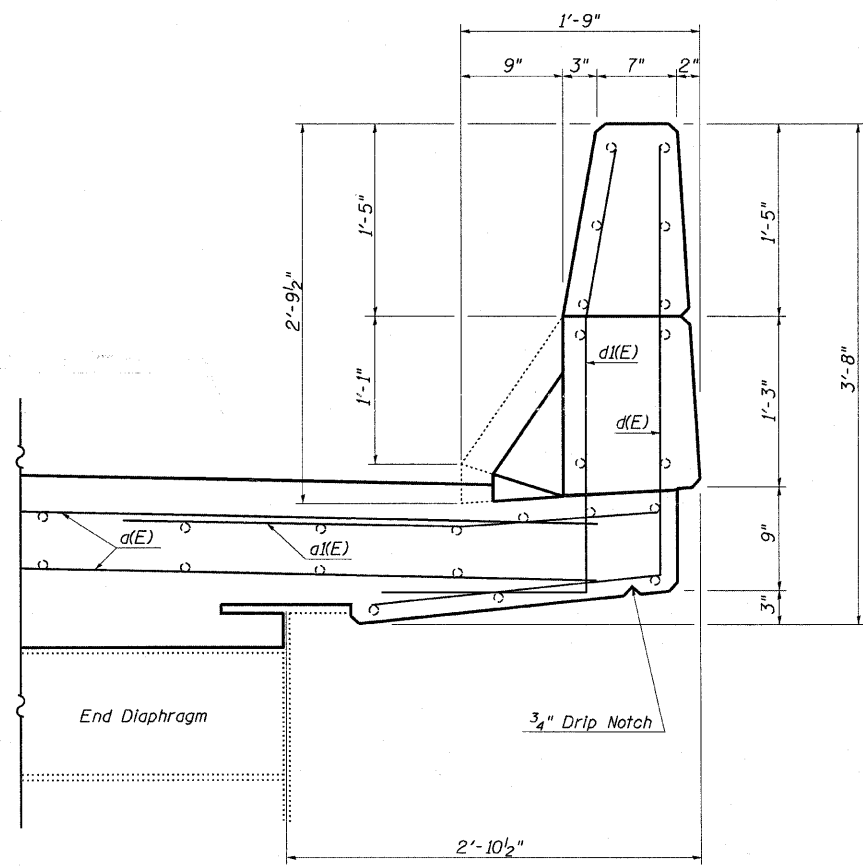
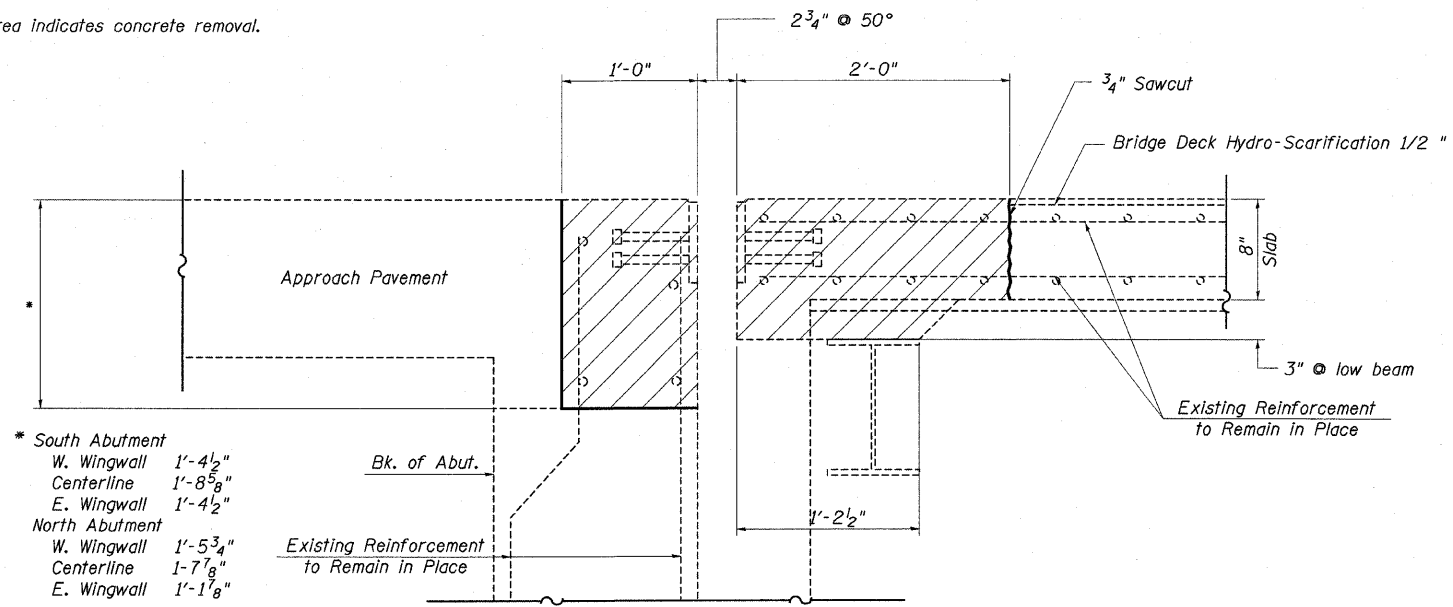


SECTION THRU WINGWALL AT ABUTMENT



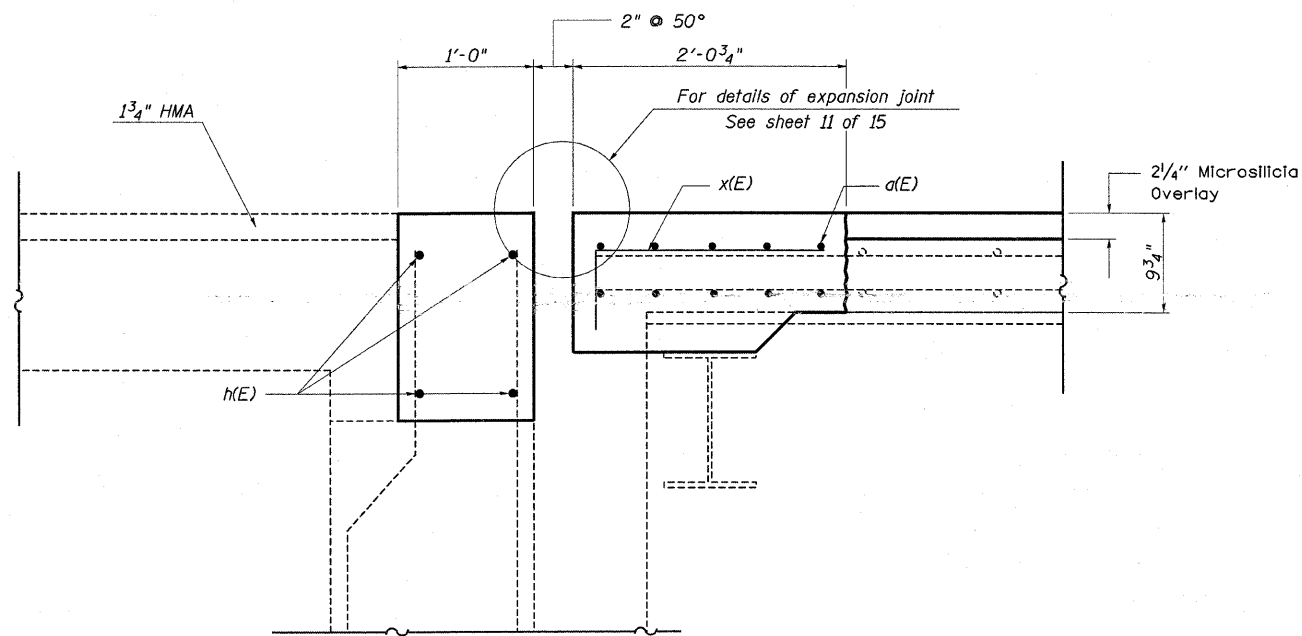
SECTION THRU PARPAET AT ABUTMENT

Hatched area indicates concrete removal.



SECTION A-A
 (Dimensions at RT L's to end of deck)

○ Existing Reinforcement
 ● Proposed Reinforcement



SECTION B-B
 (Dimensions at RT L's to end of deck)

FILE NAME =	USER NAME = swartzrw	DESIGNED - MEA	REVISED -	STATE OF ILLINOIS DEPARTMENT OF TRANSPORTATION	EXPANSION JOINT REPLACEMENT DETAILS S.N. 025-0087		F.A.S. RTE.	SECTION	COUNTY	TOTAL SHEETS	SHEET NO.
cd:\pwork\pwork\swartzrw\dms54418\077317-brgdetails-025-0087.dgn	PLOT SCALE = 20,0000 1/1 IN.	DRAWN - MEA	REVISED -				2796	(L,K)RS-2	EFFINGHAM	58	55
PLOT DATE = 3/18/2010	DATE -	CHECKED -	REVISED -				CONTRACT NO. 74317				
							ILLINOIS FED. AID PROJECT				