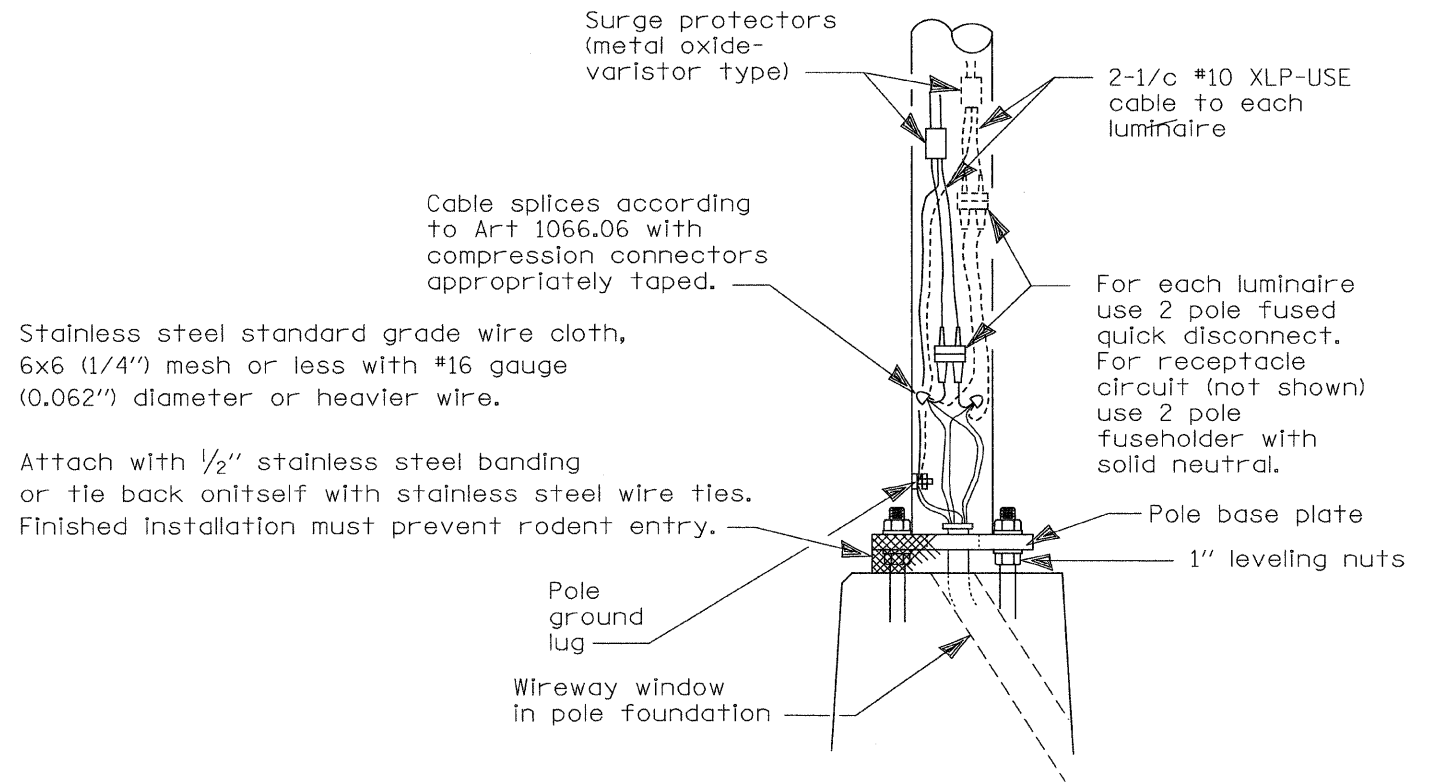
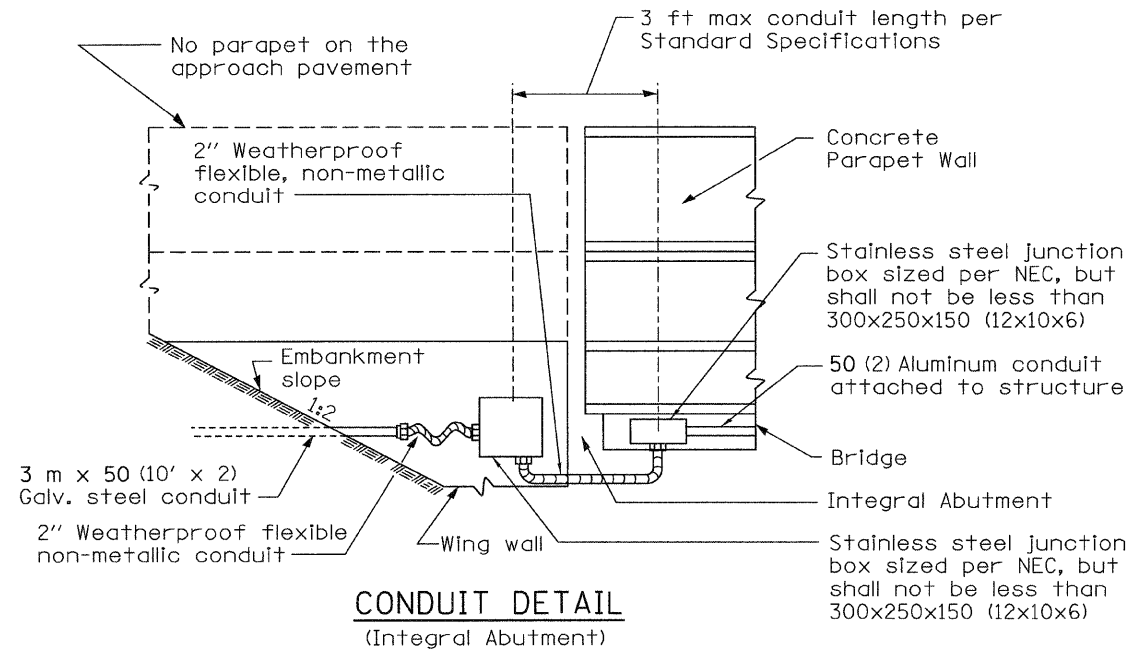


STATE OF ILLINOIS  
DEPARTMENT OF TRANSPORTATION



GENERAL NOTES

All taped splices shall use 2 layers of electrical tape over 3 layers of rubber tape as required by the Standard Specifications. Coat the finished taped splice with bonding compound.

All cable splices shall be taped unless another method has been specifically approved by the Engineer.

For example purposes the pole is shown on an anchor base. If the pole is required to be set on a breakaway base, consult the Standard Specifications.

**CONDUIT & WIRING DETAILS**  
**US 51 OVER I-72**  
**F.A.P. RTE. 322 - SEC. (58-64HB-1)B-1**  
**MACON COUNTY**  
**STA. 1154+77.78**  
**SN 058-0136**

All dimensions are in millimeters (inches) unless otherwise shown.

**THOUVENOT, WADE & MOERCHEN, INC.**  
CORPORATE OFFICE  
4940 Old Collinsville Road  
Swansea, Illinois 62226  
Tel: 618.624.4488  
Fax: 618.624.6688  
SWANSEA • WATERLOO • EDWARDSVILLE • CARBONDALE • ST. CHARLES



SHEET NO. 6  
9 SHEETS

F.A.P. RTE.	SECTION	COUNTY	TOTAL SHEETS	SHEET NO.
322	(58-64HB-1)B-1	MACON	149	56
CONTRACT NO. 74387				
FED. ROAD DIST. NO. - ILLINOIS FED. AID PROJECT				