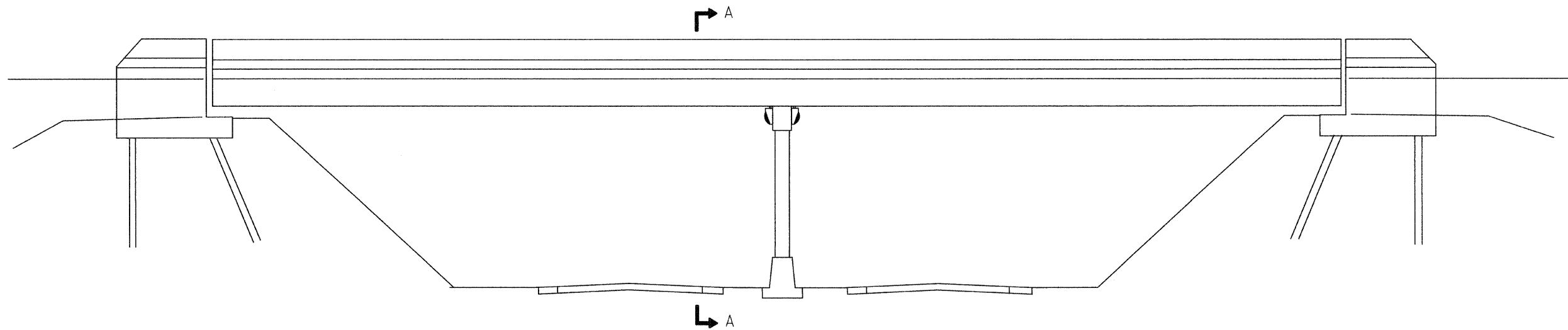
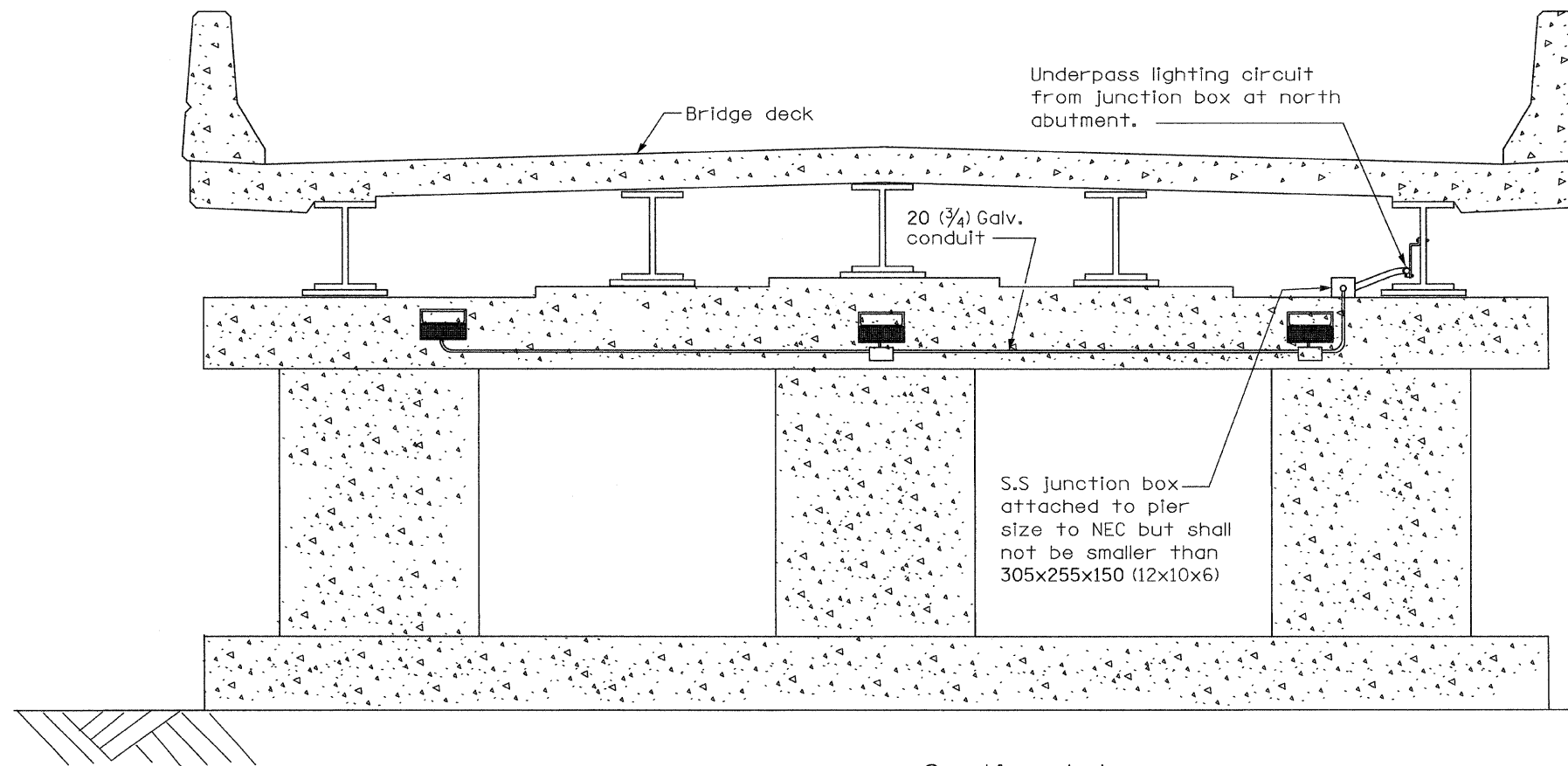


STATE OF ILLINOIS
DEPARTMENT OF TRANSPORTATION



OVERPASS ELEVATION
(Not to Scale)



Section A-A
(Underpass Lighting on Pier)

GENERAL NOTES

Conduit and wiring from junction box at bridge pier to the underpass luminaire(s) shall be incidental to the cost of the underpass luminaire(s). This includes all appurtenances including, but not limited to; straps, clamps, hangers, fittings, attachments, hardware, etc.

Conduit attached to structure shall be rigid galvanized conduit unless noted otherwise. All hardware shall be stainless steel and all conduit appurtenances, as noted above, shall be hot dip galvanized or stainless steel.

A stainless steel junction box and flex conduit shall be installed in the conduit at any opening in the bridge deck where road salt can run down onto the conduit system. Routing and method of attachment of the conduit on the bridge structure and across piers shall be as approved by the Engineer.

All dimensions are in millimeters (inches) unless otherwise shown.

UNDERPASS LIGHTING
US 51 OVER I-72
F.A.P. RTE. 322 - SEC. (58-64HB-1)B-1
MACON COUNTY
STA. 1154+77.78
SN 058-0136

**THOUVENOT,
WADE &
MOERCHEN, INC.**
CORPORATE OFFICE
4940 Old Collinsville Road
Swansea, Illinois 62226
Tel: 618.624.4488
Fax: 618.624.6688
SWANSEA • WATERLOO • EDWARDSVILLE • CARBONDALE • ST. CHARLES



SHEET NO. 7
9 SHEETS

F.A.P. RTE.	SECTION	COUNTY	TOTAL SHEETS	SHEET NO.
322	(58-64HB-1)B-1	MACON	149	57
CONTRACT NO. 74387				
FED. ROAD DIST. NO. - ILLINOIS FED. AID PROJECT				