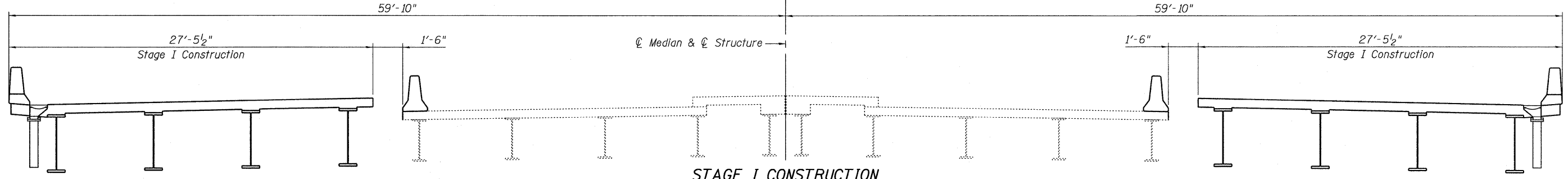
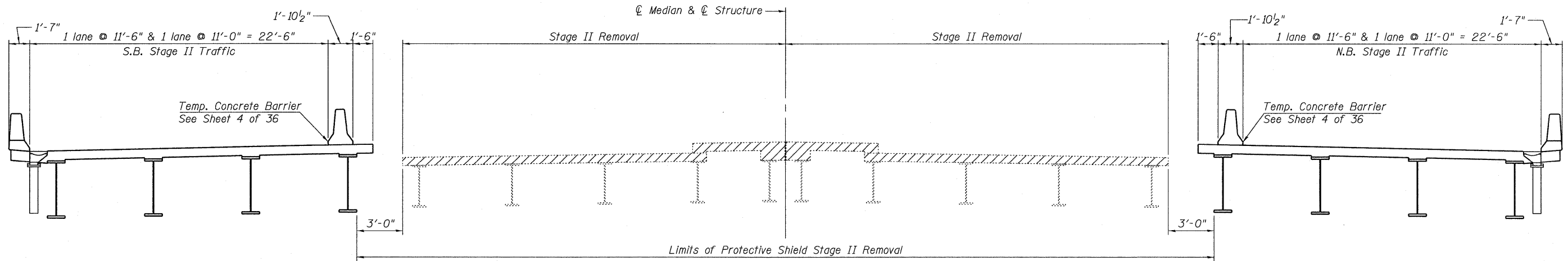


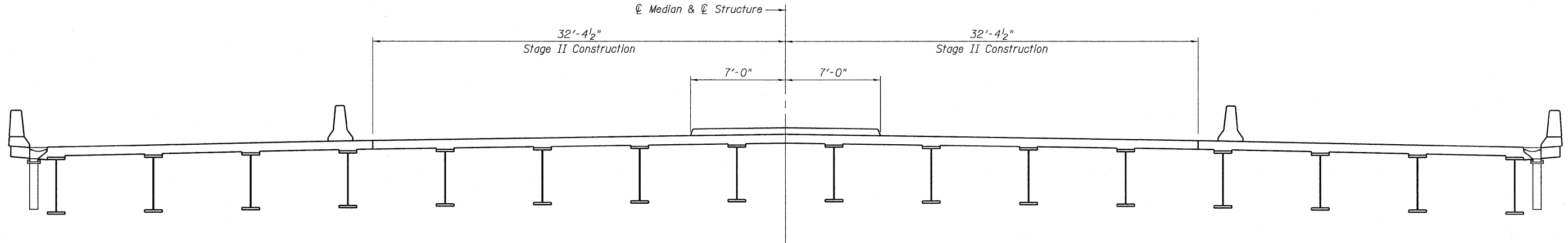
STAGE I REMOVAL



STAGE I CONSTRUCTION



STAGE II REMOVAL



STAGE II CONSTRUCTION

NOTES

Hatched areas indicate "Removal of Existing Structures".
 See Roadway Plans for type and quantity of Temporary Concrete Barrier.
 All cross sections are looking north.
 Protective Shield shall extend from ⊕ to ⊕ of Exist. abutments.
 A Temporary Support System is required at the existing pier during Stage I Removal and Construction. See Sheet 28 of 36 for details.

**STAGE CONSTRUCTION
 STRUCTURE NO. 058-0136**

CB Coombe-Bloxdorf P.C.
 -CIVIL ENGINEERS-
 -STRUCTURAL ENGINEERS-
 -LAND SURVEYORS-
 Design Firm License No. 184-002703

| | | |
|------------------------|---------------------|-------------|
| PROJECT NO. 08052-6 | SCALE | SHEET NO. 3 |
| DATE 1/14/10 | DESIGN BY BD/MCB | 36 SHEETS |
| DRAWN BY TFG/CFC | CHECKED BY MCB | |

| | | | | |
|---|---------------------------|-----------------|---------------------|-----------------|
| F.A.P. RTE. 322 | SECTION (58-64HB-1)B-1 | COUNTY MACON | TOTAL SHEETS 149 | SHEET NO. 62 |
| CONTRACT NO. 74387 | | | | |
| FED. ROAD DIST. NO. 7 ILLINOIS FED. AID PROJECT | | | | |

USER NAME = jreger