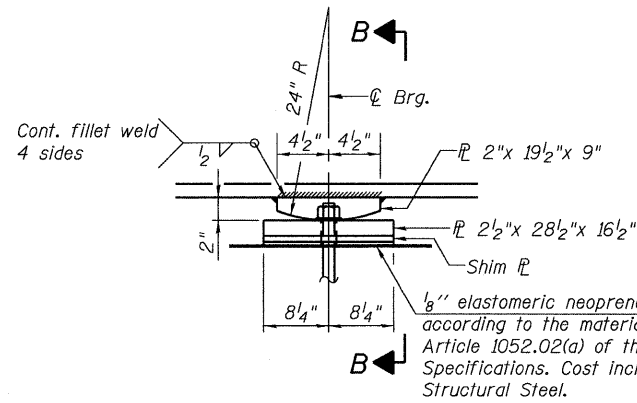
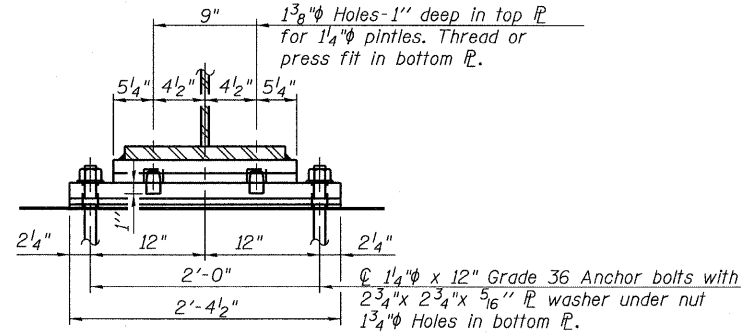


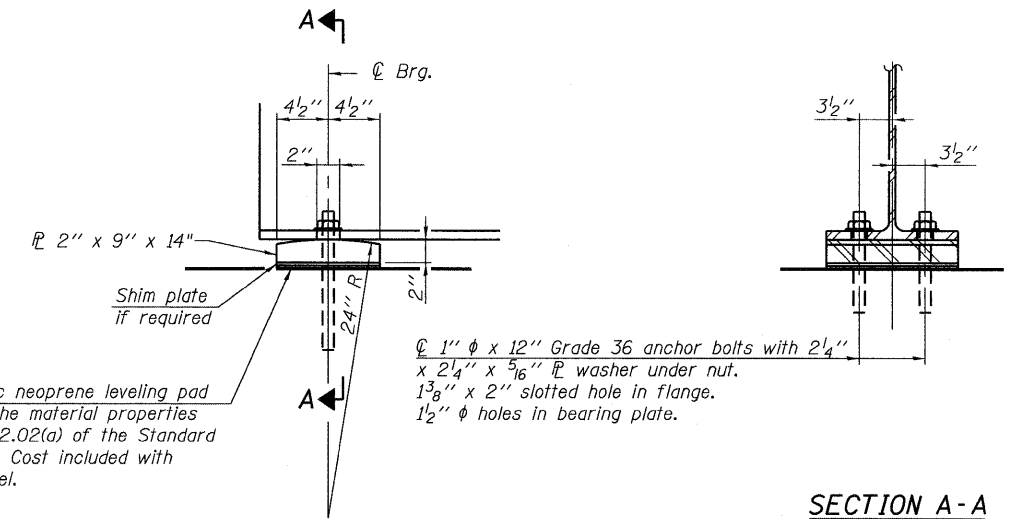
STATE OF ILLINOIS  
DEPARTMENT OF TRANSPORTATION



**ELEVATION AT PIER**



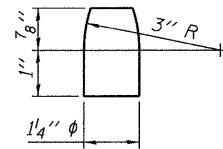
**SECTION B-B**



**ELEVATION AT ABUTMENT**

**SECTION A-A**

**FIXED BEARING**



**PINTLE**

**Notes:**

Anchor bolts shall be ASTM F1554 all-thread (or an Engineer-approved alternate material) of the grade(s) and diameter(s) specified. ASTM A307 Grade C anchor bolts may be used in lieu of ASTM F1554 Grade 36 (Fy=36ksi). The corresponding specified grade of AASHTO M314 anchor bolts may be used in lieu of ASTM F1554.

Anchor bolts at fixed bearings may be either cast in place or installed in holes drilled after the supported member is in place.

Drilled and set anchor bolts shall be installed according to Article 521.06 of the Standard Specifications.

The structural steel plates and pintles of the Fixed Bearing shall conform to the requirements of AASHTO M270, Grade 50.

Two 1/8 in. adjusting shims shall be provided for each bearing in addition to all other plates or shims and placed as shown on bearing details.

**FIXED BEARING**

**BEARING DETAILS**  
**SN 058-0136**

DESIGNED DJH
CHECKED ALN
DRAWN DJH
CHECKED ALN

**THOUVENOT,  
WADE &  
MOERCHEN, INC.**  
SWANSEA • WATERLOO • EDWARDSVILLE • CARBONDALE • ST. CHARLES

CORPORATE OFFICE  
4940 Old Collinsville Road  
Swansea, Illinois 62226  
Tel: 618.624.4488  
Fax: 618.624.6688



SHEET NO. 24

36 SHEETS

F.A.P. RTE.	SECTION	COUNTY	TOTAL SHEETS	SHEET NO.
322	(58-64HB-1)B-1	MACON	149	83
CONTRACT NO. 74387				
FED. ROAD DIST. NO. 7 ILLINOIS FED. AID PROJECT				