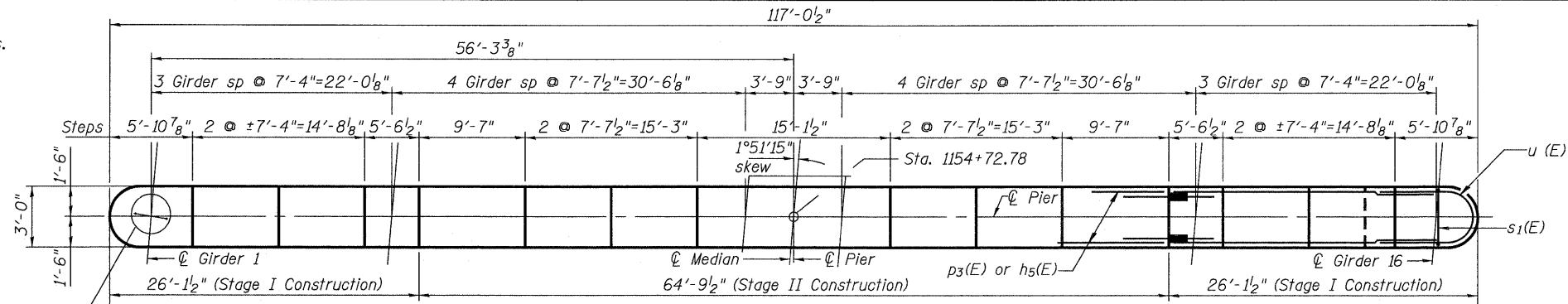
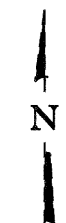


Notes:
 Space reinforcement in cap to miss anchor bolts.
 Pour steps monolithically with cap.
 For details of piles, see sheet 29 of 36.

PILE DATA

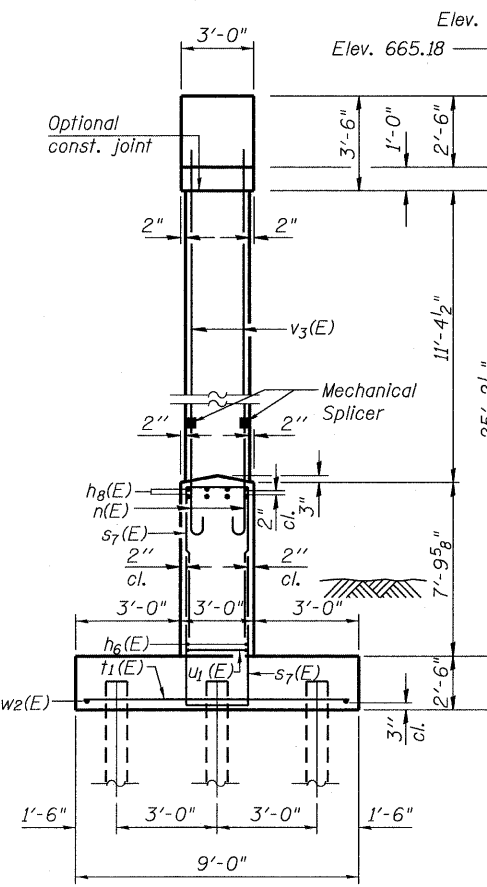
Type: Steel HP 14x73
 Nominal Required Bearing: 578 kips
 Factored Resistance Available: 289 kips
 Est. Length: 67'
 No. Production Piles: 53
 No. Test Piles: 1

See Anchor Bolt Location Detail



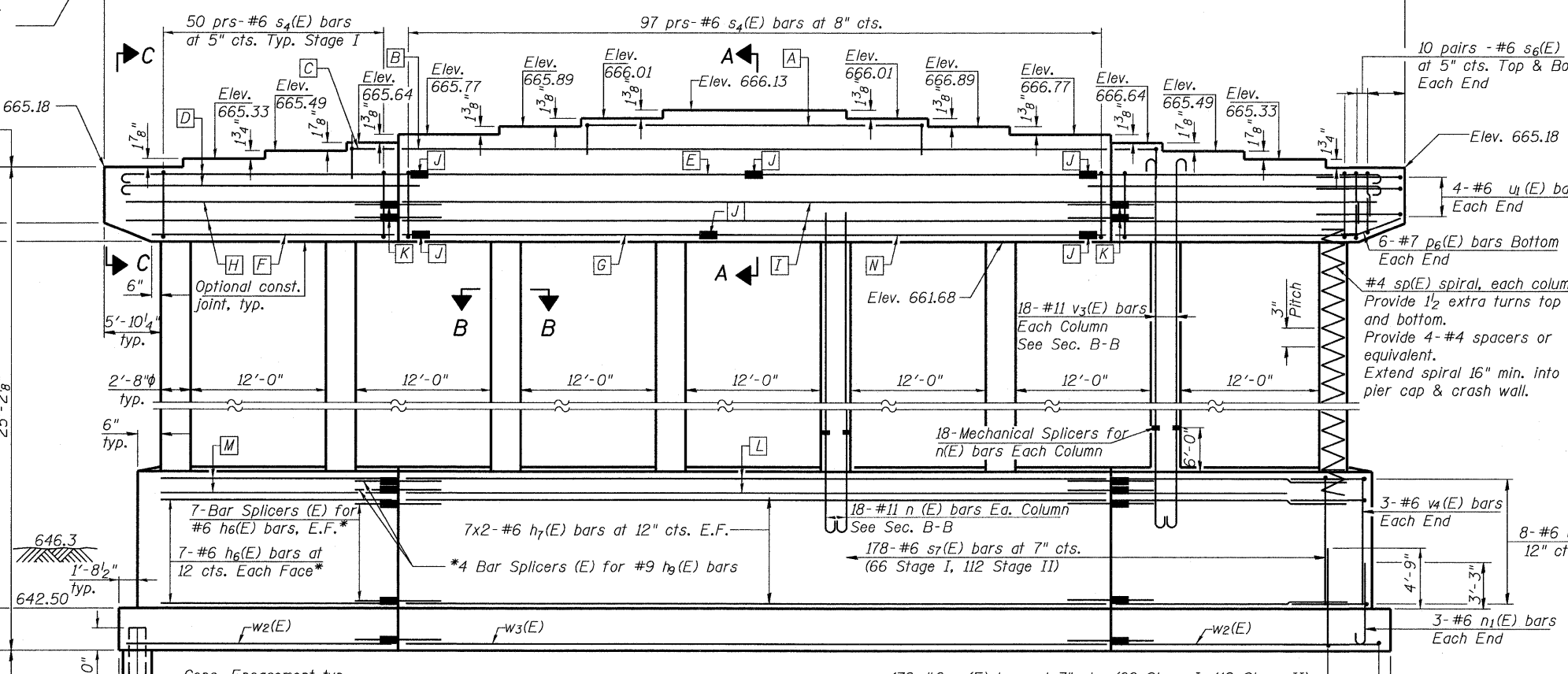
TOP PLAN

- [A] 1-#5 h3(E) bar Each Face
- [B] 1 x 2-#5 h2(E) bars Each Face
- [C] 1-#5 h1(E) bar Each Face*
- [D] 6-#11 p2(E) bars (Each Layer) *
- [E] 6x2-#11 p3(E) bars (Mechanically Spliced)
- [F] 6-#10 p4(E) bars *
- [G] 6-#10 p5(E) bars (Mechanically Spliced)
- [H] 2-#5 h4(E) bars Each Face*
- [I] 2 x 2-#5 h5(E) bars Each Face
- [J] Mechanical Bar Splicers
- [K] 2-#5 Splicers (E) for h4(E) bars Each Face*
- [L] 4x2-#9 h9(E) bars (Each Layer)
- [M] 4-#9 h8(E) bars (Each Layer)*
- [N] 6-#10 p7 (E) bars (Mechanically Spliced)

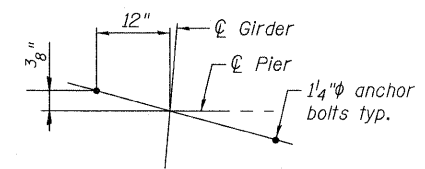


END VIEW

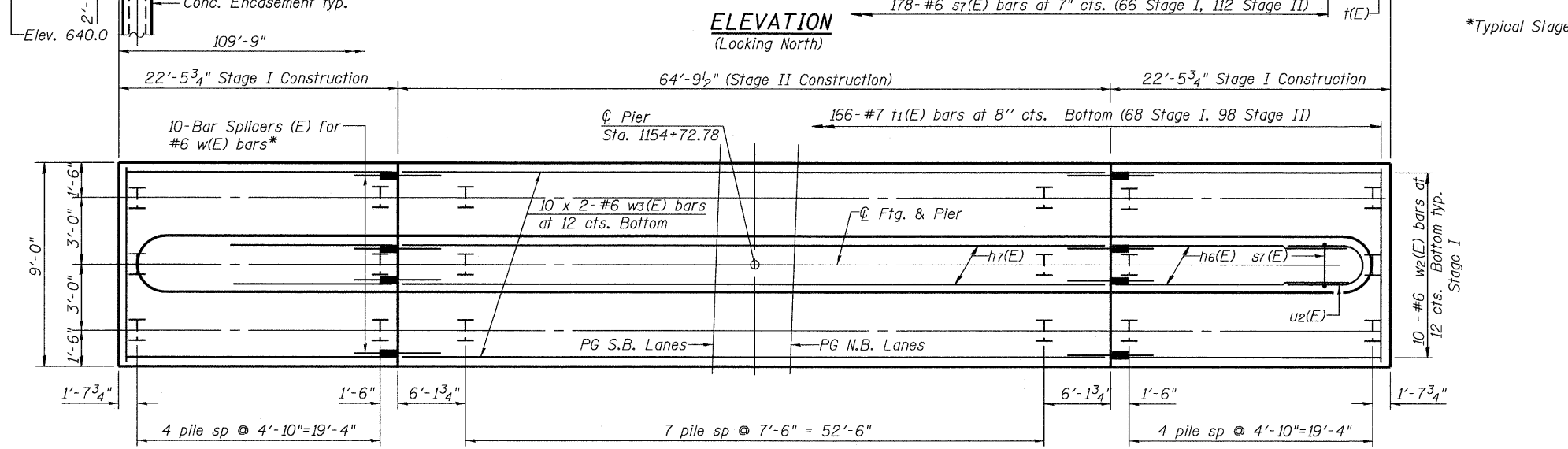
MIN BAR LAP
 #5 Bar = 2'-11"
 #6 Bar = 3'-6"
 #9 Bar = 7'-9"



ELEVATION
 (Looking North)



ANCHOR BOLT LOCATION DETAIL



FOOTING PLAN

Notes:
 See sheet 28 of 36 for Sections A-A, B-B, & C-C.
 See sheet 28 of 36 for Bar Details and Bill of Material.
 For details of piles and Concrete Encasement See Sheet 29 of 36.

PIER
STRUCTURE NO. 058-0136

| | | | | | | | |
|--|---------------------|--------------|--------------------|------------------------|---|------------------|--------------|
| | PROJECT NO. 08052-6 | SHEET NO. 27 | F.A.P. RTE. 322 | SECTION (58-64HB-1)B-1 | COUNTY MACON | TOTAL SHEETS 149 | SHEET NO. 86 |
| | SCALE 1/18/10 | | | | | | |
| | DATE 1/18/10 | DESIGN BY BD | CONTRACT NO. 74387 | | FED. ROAD DIST. NO. 7 ILLINOIS FED. AID PROJECT | | |