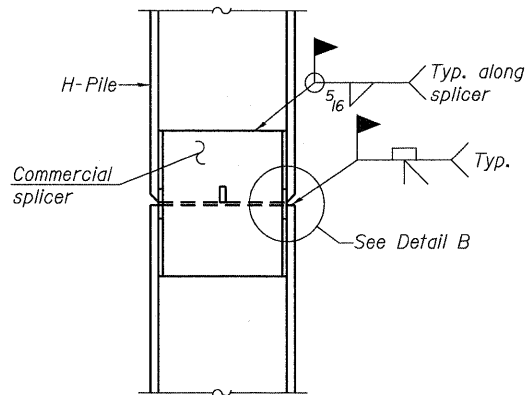
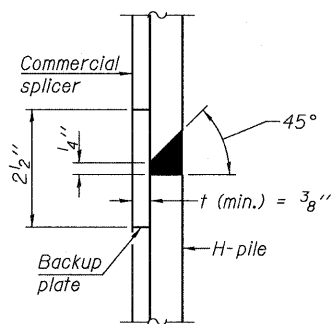


**STEEL PILE TABLE**

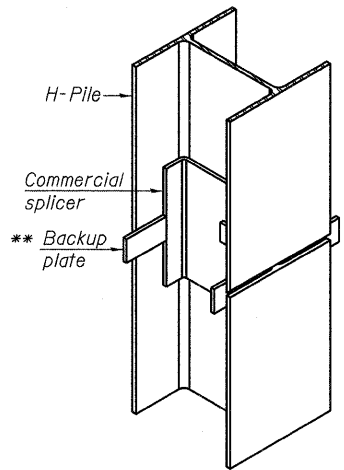
Designation	Depth $d$	Flange width $b_f$	Web and Flange thickness $t$	Encasement diameter A
HP 14x117	14 $\frac{1}{4}$ "	14 $\frac{7}{8}$ "	1 $\frac{3}{16}$ "	30"
x102	14"	14 $\frac{3}{4}$ "	1 $\frac{1}{16}$ "	30"
x89	13 $\frac{7}{8}$ "	14 $\frac{3}{4}$ "	5 $\frac{5}{8}$ "	30"
x73	13 $\frac{5}{8}$ "	14 $\frac{5}{8}$ "	1 $\frac{1}{2}$ "	30"
HP 12x84	12 $\frac{1}{4}$ "	12 $\frac{1}{4}$ "	1 $\frac{1}{16}$ "	24"
x74	12 $\frac{1}{8}$ "	12 $\frac{1}{4}$ "	5 $\frac{5}{8}$ "	24"
x63	12"	12 $\frac{1}{8}$ "	1 $\frac{1}{2}$ "	24"
x53	11 $\frac{3}{4}$ "	12"	7 $\frac{1}{16}$ "	24"
HP 10x57	10"	10 $\frac{1}{4}$ "	9 $\frac{9}{16}$ "	24"
x42	9 $\frac{3}{4}$ "	10 $\frac{1}{8}$ "	7 $\frac{1}{16}$ "	24"
HP 8x36	8"	8 $\frac{1}{8}$ "	7 $\frac{1}{16}$ "	18"



**ELEVATION**

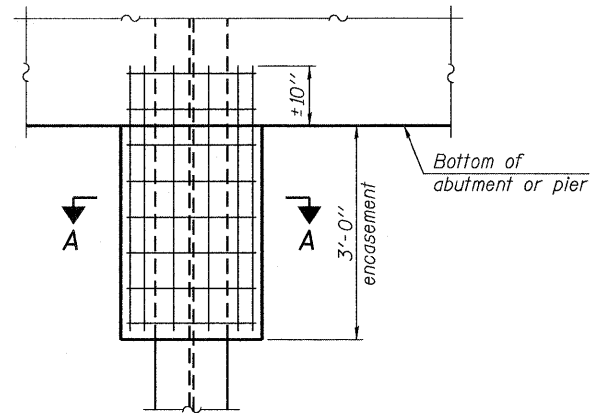


**DETAIL "B"**



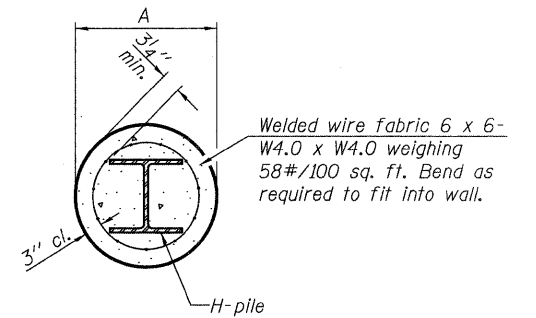
**ISOMETRIC VIEW**

**WELDED COMMERCIAL SPLICE**



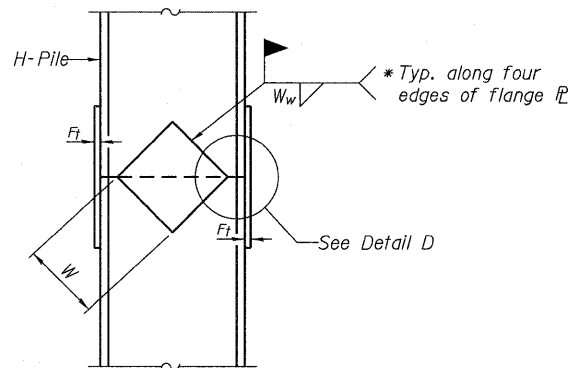
**ELEVATION**

**PILE ENCASEMENT**

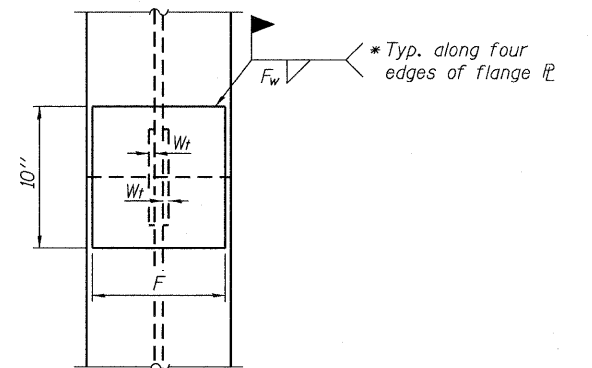


**SECTION A-A**

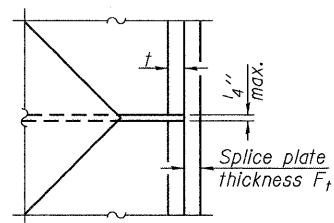
Note:  
Forms for encasement may be omitted when soil conditions permit.



**ELEVATION**



**END VIEW**



**DETAIL D**

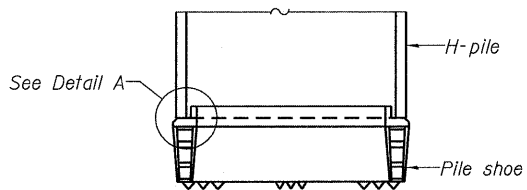
Designation	F	F <sub>t</sub>	F <sub>w</sub>	W	W <sub>t</sub>	W <sub>w</sub>
HP 14x117	12 $\frac{1}{2}$ "	1"	7 $\frac{3}{8}$ "	7 $\frac{3}{4}$ "	5 $\frac{5}{8}$ "	1 $\frac{1}{2}$ "
x102	12 $\frac{1}{2}$ "	7 $\frac{3}{8}$ "	3 $\frac{3}{4}$ "	7 $\frac{3}{4}$ "	5 $\frac{5}{8}$ "	1 $\frac{1}{2}$ "
x89	12 $\frac{1}{2}$ "	3 $\frac{3}{4}$ "	4 $\frac{1}{16}$ "	7 $\frac{3}{4}$ "	5 $\frac{5}{8}$ "	1 $\frac{1}{2}$ "
x73	12 $\frac{1}{2}$ "	5 $\frac{5}{8}$ "	9 $\frac{1}{16}$ "	7 $\frac{3}{4}$ "	5 $\frac{5}{8}$ "	1 $\frac{1}{2}$ "
HP 12x84	10"	7 $\frac{3}{8}$ "	4 $\frac{1}{16}$ "	6 $\frac{1}{2}$ "	5 $\frac{5}{8}$ "	1 $\frac{1}{2}$ "
x74	10"	7 $\frac{3}{8}$ "	4 $\frac{1}{16}$ "	6 $\frac{1}{2}$ "	5 $\frac{5}{8}$ "	1 $\frac{1}{2}$ "
x63	10"	5 $\frac{5}{8}$ "	1 $\frac{1}{2}$ "	6 $\frac{1}{2}$ "	1 $\frac{1}{2}$ "	3 $\frac{3}{8}$ "
x53	10"	5 $\frac{5}{8}$ "	1 $\frac{1}{2}$ "	6 $\frac{1}{2}$ "	1 $\frac{1}{2}$ "	3 $\frac{3}{8}$ "
HP 10x57	8"	3 $\frac{3}{4}$ "	9 $\frac{9}{16}$ "	5 $\frac{1}{4}$ "	1 $\frac{1}{2}$ "	3 $\frac{3}{8}$ "
x42	8"	5 $\frac{5}{8}$ "	9 $\frac{9}{16}$ "	5 $\frac{1}{4}$ "	1 $\frac{1}{2}$ "	3 $\frac{3}{8}$ "
HP 8x36	7"	5 $\frac{5}{8}$ "	7 $\frac{1}{16}$ "	4 $\frac{1}{4}$ "	1 $\frac{1}{2}$ "	3 $\frac{3}{8}$ "

**WELDED PLATE FIELD SPLICE**

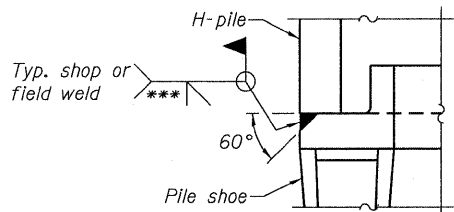
Note:  
The steel H-piles shall be according to AASHTO M270 Grade 50.

**WELDED COMMERCIAL SPLICE ALTERNATE**

- \* Interrupt welds 1/4" from end of web and/or each flange.
- \*\* Remove portions of backup plates that extend outside the flanges.
- \*\*\* Weld size per pile shoe manufacturer (5/16" min.).

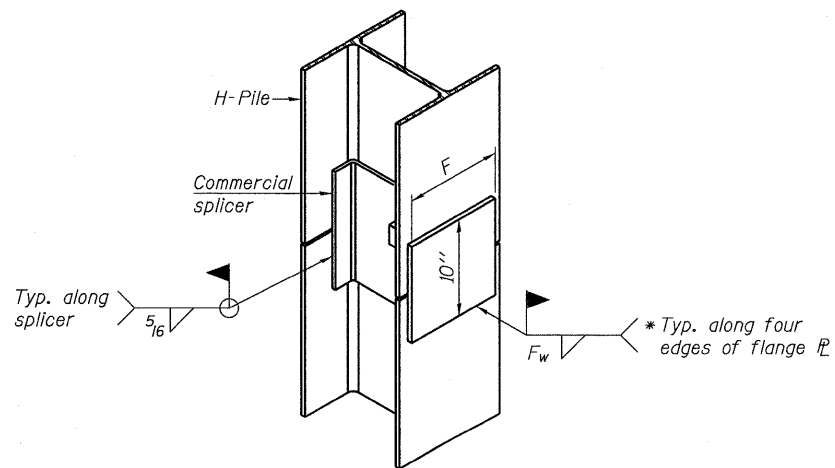


**ELEVATION**



**DETAIL A**

**H-PILE SHOE ATTACHMENT**



**ISOMETRIC VIEW**

**WELDED COMMERCIAL SPLICE ALTERNATE**

- \* Interrupt welds 1/4" from end of web and/or each flange.
- \*\* Remove portions of backup plates that extend outside the flanges.
- \*\*\* Weld size per pile shoe manufacturer (5/16" min.).

**HP PILE DETAILS  
STRUCTURE NO. 058-0136**

<p>Coombe-Bloxdorf P.C. -CIVIL ENGINEERS- -STRUCTURAL ENGINEERS- -LAND SURVEYORS- Design Firm License No. 184-002703</p>	PROJECT NO. 08052-6 SCALE DATE 12/09/09 DESIGN BY BD/MCB DRAWN BY TFG CHECKED BY MCB	SHEET NO. 29 36 SHEETS	F.A.P. RTE. 322 SECTION (58-64HB-1)B-1 COUNTY MACON TOTAL SHEETS 149 SHEET NO. 88 CONTRACT NO. 74387	FED. ROAD DIST. NO. 7 ILLINOIS FED. AID PROJECT
--	---	---------------------------	---	--