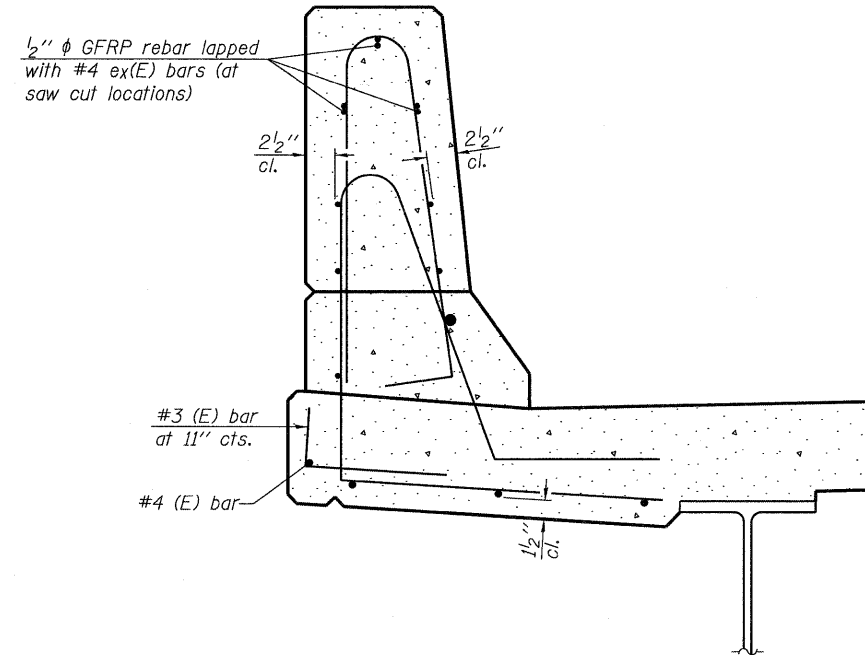
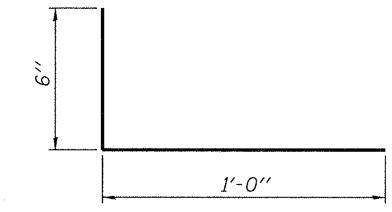


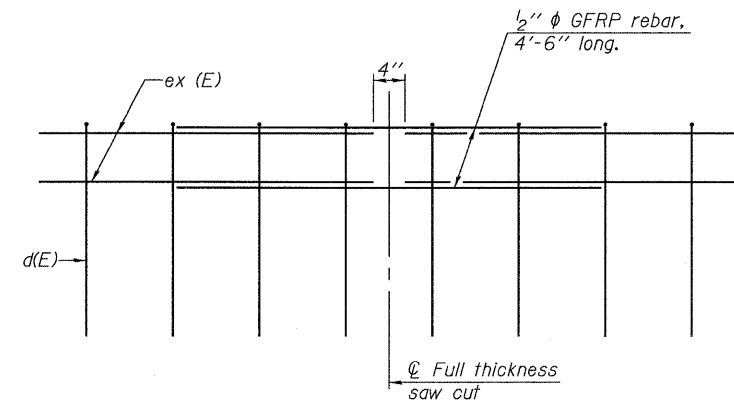
SECTION
(Showing dimensions)



SECTION
(Showing reinforcement clearances for slip forming and additional reinforcement bars)



#3 (E) BAR



GFRP REBAR STIFFENING DETAIL
(Place as shown in parapet section at each parapet joint location.)

GENERAL NOTES

All dimensions shall remain the same as shown on superstructure details, except dimensions A and B which are to be revised as shown to provide additional clearance. Additional concrete needed to revise dimension A and B = 0.0165 cu. yds./ft. of parapet.
Place aluminum sheet in curb portion at and near piers. Full thickness saw cut at all joint locations in lieu of cork joint filler.
Steel superstructure shown. Other superstructure types similar.

**CONCRETE PARAPET
SLIPFORMING OPTION
STRUCTURE NO. 058-0136**

Coombe-Bloxdorf P.C. -CIVIL ENGINEERS- -STRUCTURAL ENGINEERS- -LAND SURVEYORS- Design Firm License No. 184-002703	PROJECT NO. 08052-6 SCALE DATE 12/22/09 DESIGN BY DRAWN BY CFC CHECKED BY MCB	SHEET NO. 31 36 SHEETS	F.A.P. RTE. 322 SECTION (58-64HB-1)B-1	COUNTY MACON	TOTAL SHEETS 149	SHEET NO. 90
	FED. ROAD DIST. NO. ILLINOIS FED. AID PROJECT			CONTRACT NO. 74387		