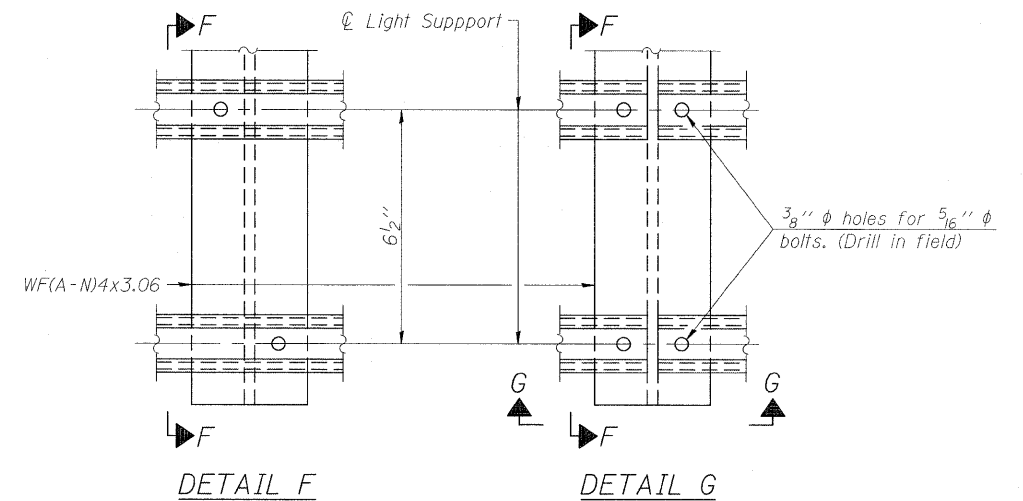
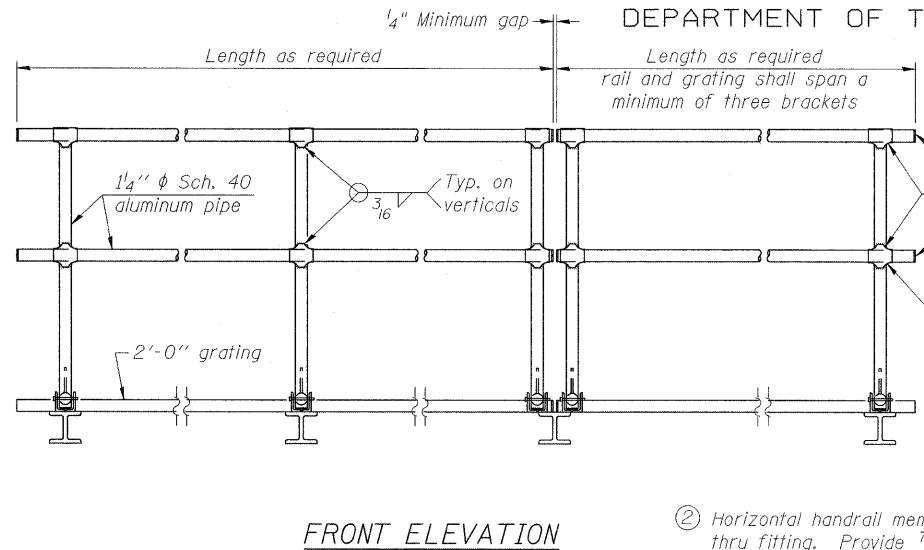
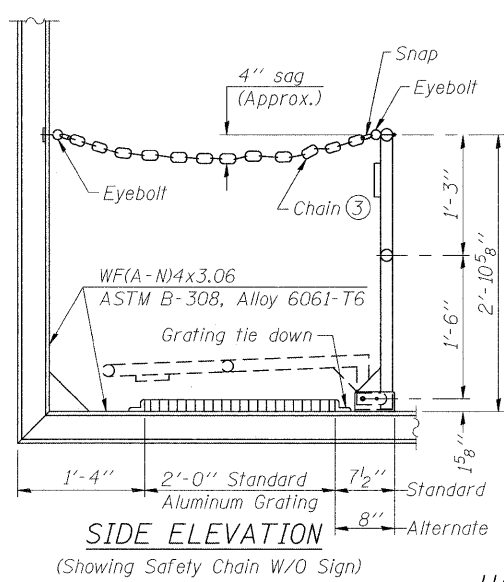
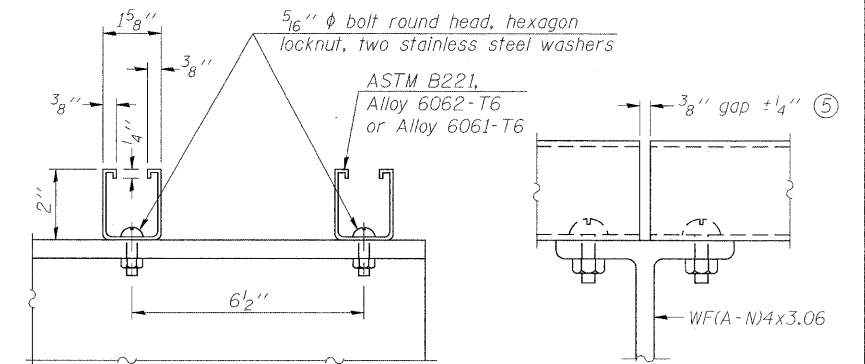
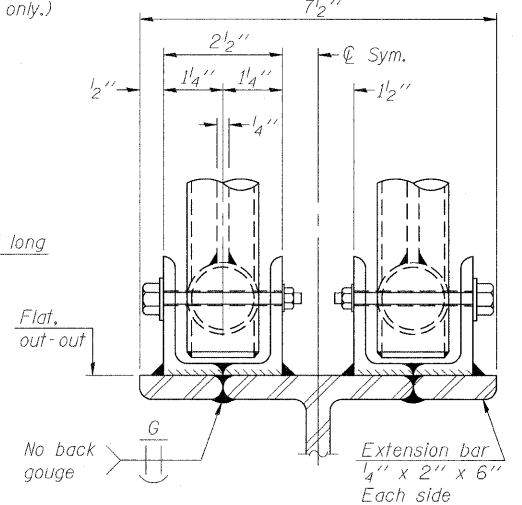
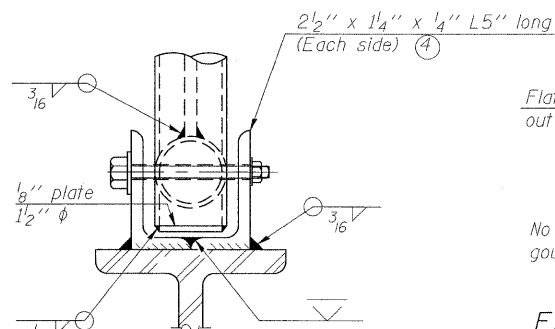
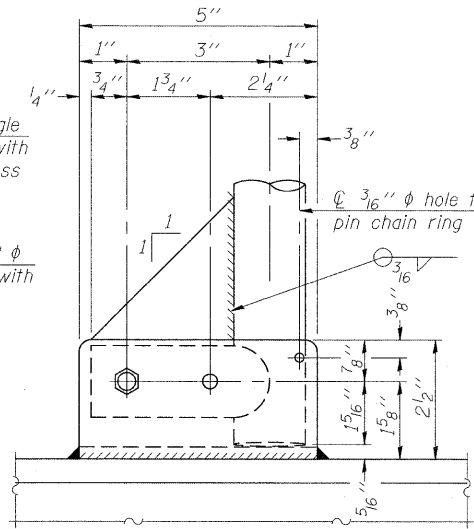
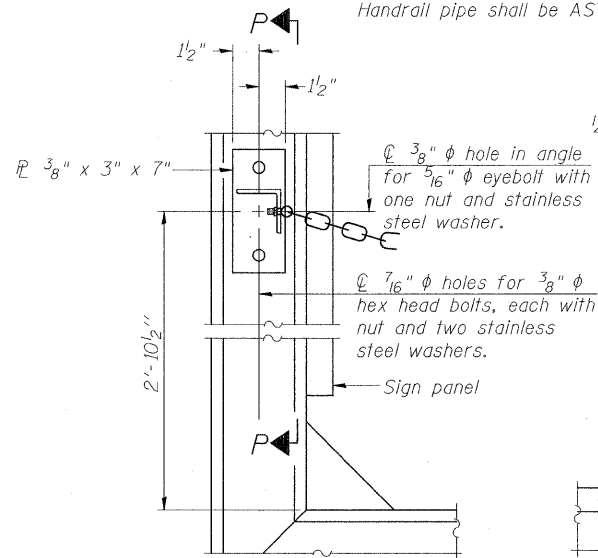


STATE OF ILLINOIS  
DEPARTMENT OF TRANSPORTATION



HANDRAIL DETAILS

Handrail pipe shall be ASTM B241 or B429, Alloy 6063-T6 or Alloy 6061-T6.



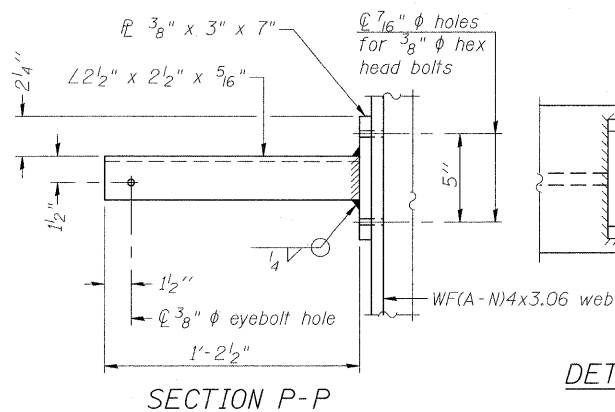
LIGHTING FIXTURE MOUNTS (IF REQUIRED)

⑤ Field cut ends of light support channels shall be free of burrs or hazardous projections and coated with zinc-rich primer or equivalent.

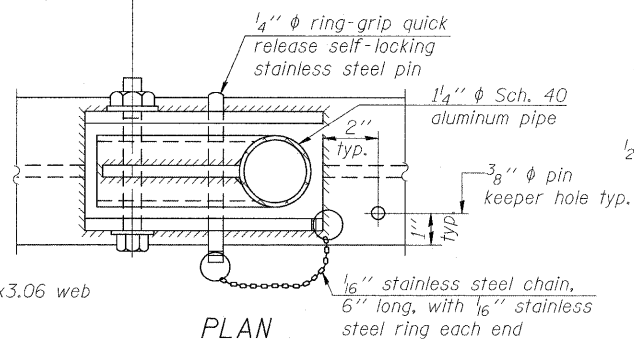
ALTERNATE SAFETY CHAIN ATTACHMENT

(With Sign Present)

Items not shown same as "Side Elevation" of "Handrail Details"

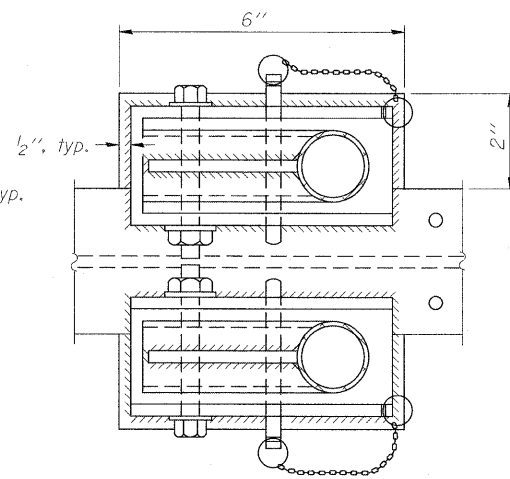


Drill and ream for 3/8" φ bolt with two hexagon locknuts and two stainless steel washers.

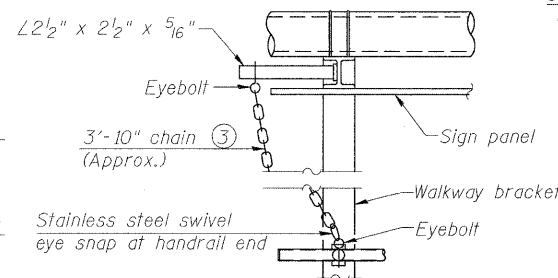


FRONT ELEVATION  
Details not shown same as "ELEVATION" at right.

FRONT ELEVATION



ELEVATION AT HANDRAIL JOINT ④  
Details not shown same as "FRONT ELEVATION"

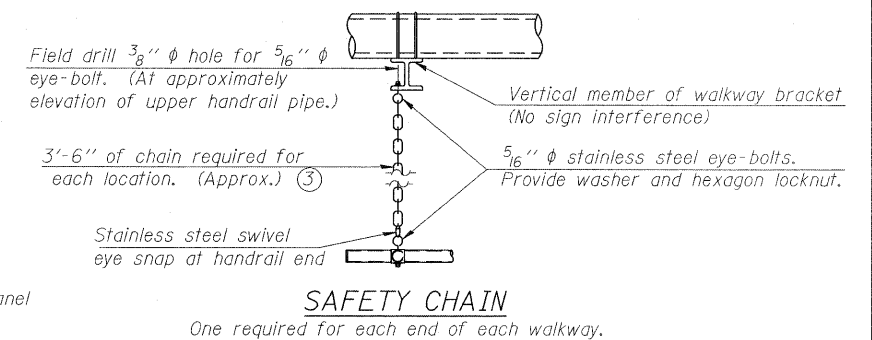


ALTERNATE SAFETY CHAIN ATTACHMENT

Details not shown similar to "Safety Chain" Details (Walkway omitted for clarity)

③ 3/16" Type 304L stainless steel chain, approximately 12 links per foot.

④ Extrusions may be used in lieu of the details shown, with approval of the Engineer.



DESIGNED MJJ	200
CHECKED JTH	EXAMINED
DRAWN MJJ	PASSED
CHECKED JTH/ALN	ENGINEER OF BRIDGE DESIGN
	ENGINEER OF BRIDGES AND STRUCTURES

NUMBER	REVISION	DATE

OSC-A-8 12-1-08

SHEET NO. 13  
15 SHEETS

CANTILEVER SIGN STRUCTURES HANDRAIL DETAILS ALUMINUM TRUSS & STEEL POST				
THOUVENOT, WADE & MOERCHEN, INC.		CORPORATE OFFICE 4940 Old Collinsville Road Swansea, Illinois 62226 Tel: 618.624.4488 Fax: 618.624.5688		TWM ENGINEERS • SURVEYORS • PLANNERS
F.A.P. RTE.	SECTION	COUNTY	TOTAL SHEETS	SHEET NO.
322	(58-64HB-1)B-1	MACON	149	108
US ROUTE 51		CONTRACT NO. 74387		
FED. ROAD DIST. NO. 7		ILLINOIS FED. AID PROJECT		

Printed by: m/lost 3/12/2010 4:28:59 PM P:\080276\US 51over 1-72\4-CADD\4.2-TR\SHEETS\0774387-sht-sign-013.dgn