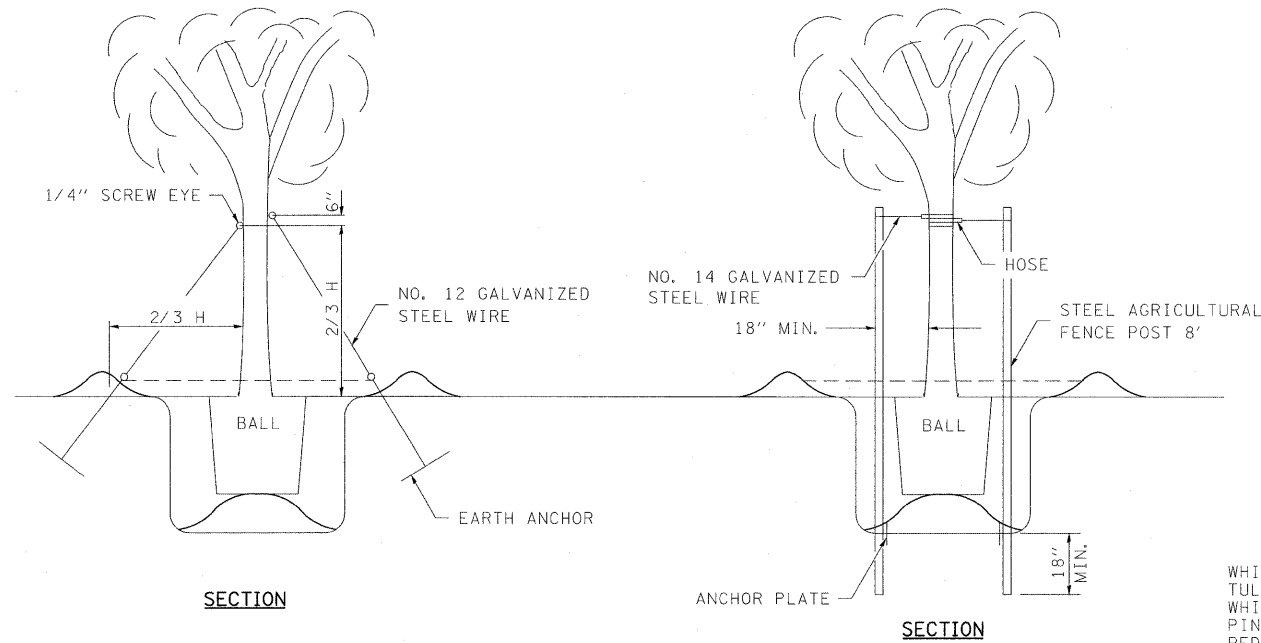
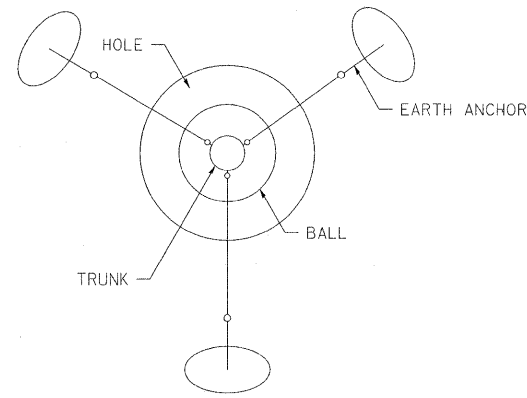


SEE SECTION 253 OF THE STANDARD SPECIFICATIONS FOR ROAD AND BRIDGE CONSTRUCTION FOR INFORMATION NOT SHOWN.



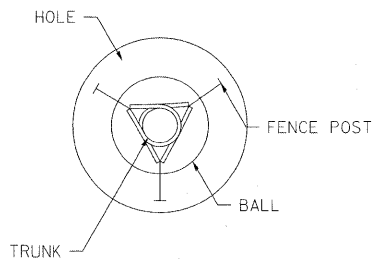
SECTION

SECTION



PLAN

TREES OVER 4 1/2" IN CALIPER

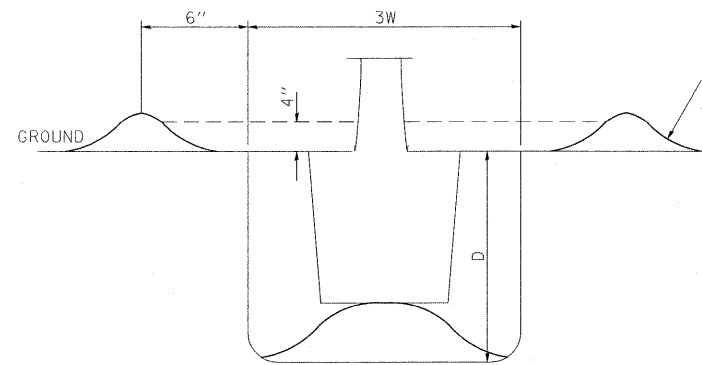


PLAN

TREES OVER 8' TALL AND 4 1/2" IN CALIPER AND ALL "A" & "D" CODED TREES*

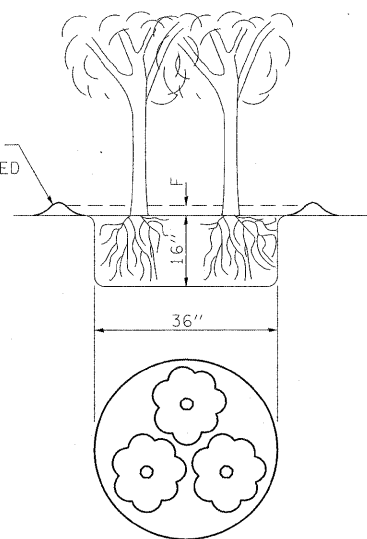
* OVER 4' TALL

BRACING DETAIL



SINGLE PLANT

PLANTING DETAIL MULCH AND WATER RING



GROUPED PLANTS

INFORMATION ONLY

COMMON NAME	LATIN NAME
WHITE PINE	Pinus strobus
TULIP POPLAR	Liriodendron tulipifera
WHITE OAK	Quercus alba
PIN OAK	Quercus palustris
RED OAK	Quercus rubra
SUGAR MAPLE	Acer saccharum
RED MAPLE	Acer Rubrum
SWEET GUM	Liquidambar styraciflua
DOGWOOD	Cornus florida
ASH	Fraxinus americana (Sps.)
CRAB APPLE	Malus sps.
RIVER BIRCH	Betula nigra
WITCH HAZEL	Hamamelis virginiana
RED BUD	Cercis canadensis
BRADFORD PEAR	Pyrus calleryana bradford
SHAGBARK HICKORY	Carya ovata
PINK FLOWERING DOGWOOD	Cornus florida rubra
WHITE CRAB APPLE	Malus snowdrift
NORWAY SPRUCE	Picea abies
TALL HEDGE (SHRUB)	Rhamnus fragula "columnaris"

SPACE LIMITATIONS IN THE ABBREVIATED PAY ITEM DESCRIPTION PRECLUDED SHOWING THE SIZES, YEARS OF GROWTH, AND OTHER CHARACTERISTICS OF TREES, SHRUBS, EVERGREENS AND VINES. THEREFORE, THESE CHARACTERISTICS HAVE BEEN CODED AS SHOWN FOR EACH CATEGORY OF PLANTS.

AN EXAMPLE OF THE APPLICATION OF PREFIX AND CODE IS:

CODE NUMBER ITEM (long description - short description)
A1002008 ACER SACCHARINUM 08 - ACER SACCINUM 08

A - IN THE CODE NUMBER INDICATES THE PREFIX
08 - IN THE ITEM DESCRIPTION IS FOR THE SIZE OF TREE (IN THIS CASE 2 - 2 1/2 INCH DIAMETER)

SHADE TREES (PREFIX "A")

CODE	SIZE INCH DIAMETER	
01	1 1/4 - 1 1/2	
02	1 1/4 - 1 1/2	BB
03	1 1/2 - 1 3/4	
04	1 1/2 - 1 3/4	BB
05	1 3/4 - 2	
06	1 3/4 - 2	BB
07	2 - 2 1/2	
08	2 - 2 1/2	BB
09	2 1/2 - 3	
10	2 1/2 - 3	BB
11	3 - 3 1/2	
12	3 - 3 1/2	BB
13	3 1/2 - 4	
14	3 1/2 - 4	BB
15	4 - 4 1/2	
16	4 - 4 1/2	BB
17	4 1/2 - 5	
18	4 1/2 - 5	BB
19	5 - 5 1/2	
20	5 - 5 1/2	BB
21	5 1/2 - 6	
22	5 1/2 - 6	BB
23	6 - 7	
24	6 - 7	BB

NOTES: SIZES ARE BARE ROOT EXCEPT WHEN FOLLOWED BY "BB" WHICH INDICATE BALL AND BURLAP.

EVERGREENS (PREFIX "D")

CODE	SIZE HEIGHT IN FEET	
01	1 1/2 - 2	BB
02	2 - 2 1/2	BB
03	2 1/2 - 3	BB
04	3 - 3 1/2	BB
05	3 1/2 - 4	BB
06	4 - 5	BB
07	5 - 6	BB
08	6 - 7	BB
09	7 - 8	BB
10	8 - 9	BB

BB = BALL AND BURLAP OR IN POTS

VINES/GROUNDCOVERS (PREFIX "E")

CODE	SIZE	
01	1 YR. # 1	
02	1 YR. # 1	BB
03	2 YR. # 1	
04	2 YR. # 1	BB
05	3 YR. # 1	
06	3 YR. # 1	BB
07	4 YR. # 1	
08	4 YR. # 1	BB
09	5 YR. # 1	
10	5 YR. # 1	BB

BB = BALL AND BURLAP OR IN POTS

INTERMEDIATE TREES (PREFIX "B")

CODE	SIZE HEIGHT IN FEET	
01	1 1/2 - 2	BB
02	1 1/2 - 2	BB
03	2 - 3	BB
04	2 - 3	BB
05	3 - 4	BB
06	3 - 4	BB
07	4 - 5	BB
08	4 - 5	BB
09	5 - 6	BB
10	5 - 6	BB
11	6 - 7	BB
12	6 - 7	BB
13	7 - 8	BB
14	7 - 8	BB
15	8 - 9	BB
16	8 - 9	BB
17	9 - 10	BB
18	9 - 10	BB
19	10 - 12	BB
20	10 - 12	BB
21	12 - 14	BB
22	12 - 14	BB
23	14 - 16	BB
24	14 - 16	BB

NOTES: SIZES ARE BARE ROOT EXCEPT WHEN FOLLOWED BY "BB" WHICH INDICATE BALL AND BURLAP.

SEEDLING TREES (PREFIX "F")

CODE	SIZE YEARS OF GROWTH & TIMES TRANSPLANTED "T"	
01	1 YR.	
02	2 YR.	
03	3 YR. T	
04	2 YR. T	
05	2 - 3'	BR
06	3 - 4'	BR
07	4 - 6'	BR
08	6 - 8'	BR
09	12 - 18"	
10	18 - 24"	

BR = "WHIPS" OR "LINERS"

SEEDLING SHRUBS (PREFIX "G")

CODE	SIZE CROWN DIAMETER IN INCHES, YEARS OF GROWTH & TIMES TRANSPLANTED "T"	
01	1/8 - 3/16	
02	3/16 - 1/4	
03	1/4 - 3/8	
04	1 YR. T	
05	1/2 - 3/4	
06	2 YR. T	

SHRUBS (PREFIX "C")

CODE	SIZE HEIGHT IN FEET	
01	1 1/2 - 2	
02	1 1/2 - 2	BB
03	2 - 3	
04	2 - 3	BB
05	3 - 4	
06	3 - 4	BB
07	4 - 5	
08	4 - 5	BB
09	5 - 6	
10	5 - 6	BB
11	6 - 7	
12	6 - 7	BB

NOTES: SIZES ARE BARE ROOT EXCEPT WHEN FOLLOWED BY "BB" WHICH INDICATE BALL AND BURLAP.

SEEDLING EVERGREENS (PREFIX "H")

CODE	SIZE YEARS OF GROWTH & TIMES TRANSPLANTED "T"	
01	1 YR.	
02	2 YR.	
03	2 YR. T	
04	3 YR.	
05	3 YR. T	