

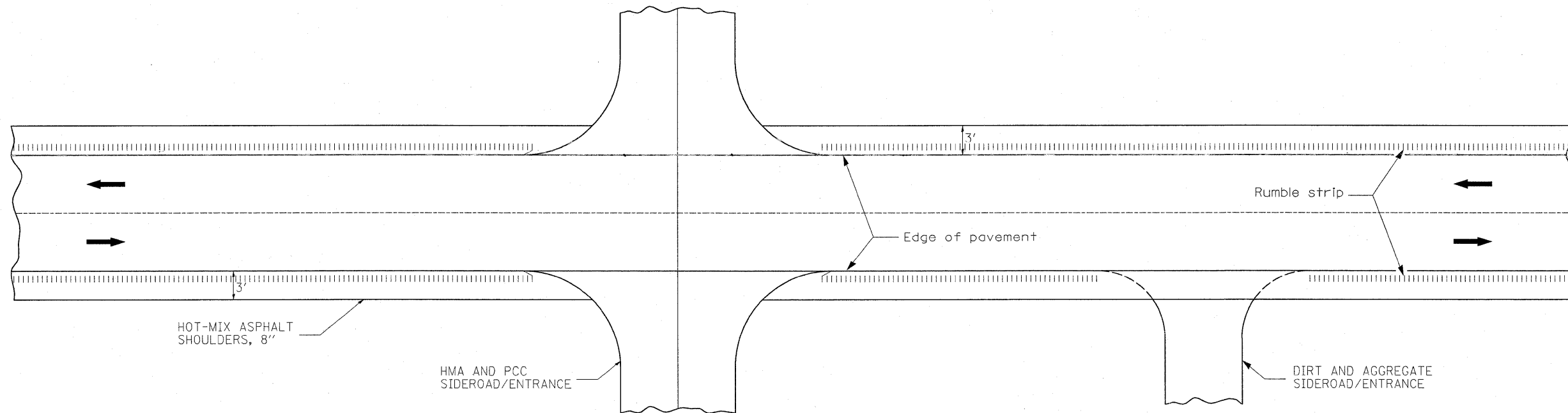
PLAN

SECTION A-A

SECTION B-B

NOTE: OMIT RUMBLE STRIPS ON ALL SIDEROADS, PRIVATE AND COMMERCIAL ENTRANCES AT RADIUS RETURNS, OMIT RUMBLE STRIPS AT MAILBOX TURNOUTS 60' BOTH SIDES OF THE MAILBOX OR AS DETERMINED BY THE ENGINEER. RUMBLE STRIPS SHALL NOT BE OMITTED ON FIELD ENTRANCES.

OMIT HOT-MIX ASPHALT SHOULDERS, 8" ON ALL HMA AND PCC SIDEROADS, ENTRANCES, AND CONCRETE GUTTER LOCATIONS.



TYPICAL APPLICATION AT SIDEROADS AND ENTRANCES

FILE NAME =	USER NAME = teasleyck	DESIGNED -	REVISED -	STATE OF ILLINOIS DEPARTMENT OF TRANSPORTATION	HMA SHOULDER AND RUMBLE STRIP DETAIL				F.A.P. RTE. 325	SECTION •	COUNTY Shelby	TOTAL SHEETS 8	SHEET NO. 6
ca\pw_kor-k\p\DOT\TEASLEYCK\d0177449\07	74444-shr-details.dgn	DRAWN -	REVISED -		SCALE:	SHEET NO.	OF	SHEETS	STA.	TO STA.	CONTRACT NO. 74444		
	PLOT SCALE = 50.0000 / IN.	CHECKED -	REVISED -								ILLINOIS FED. AID PROJECT		
	PLOT DATE = 3/19/2010	DATE -	REVISED -										