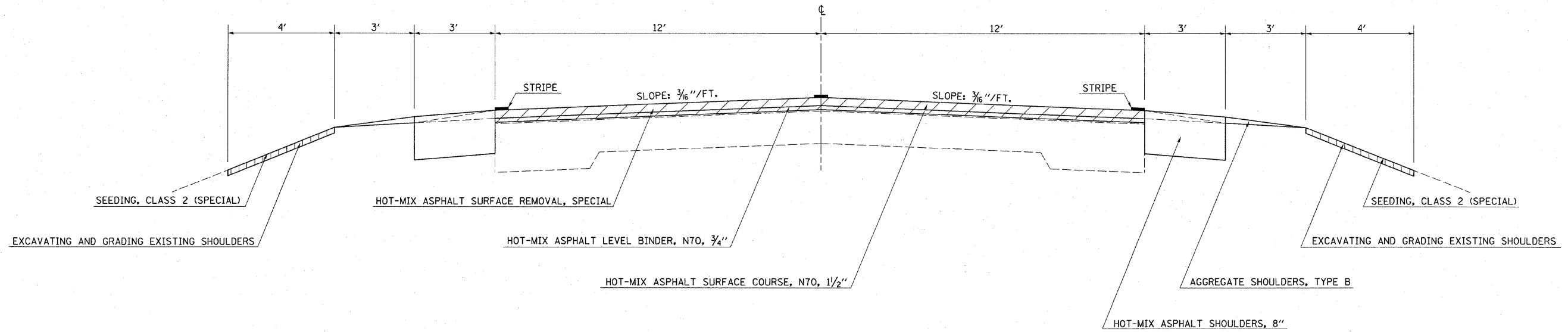


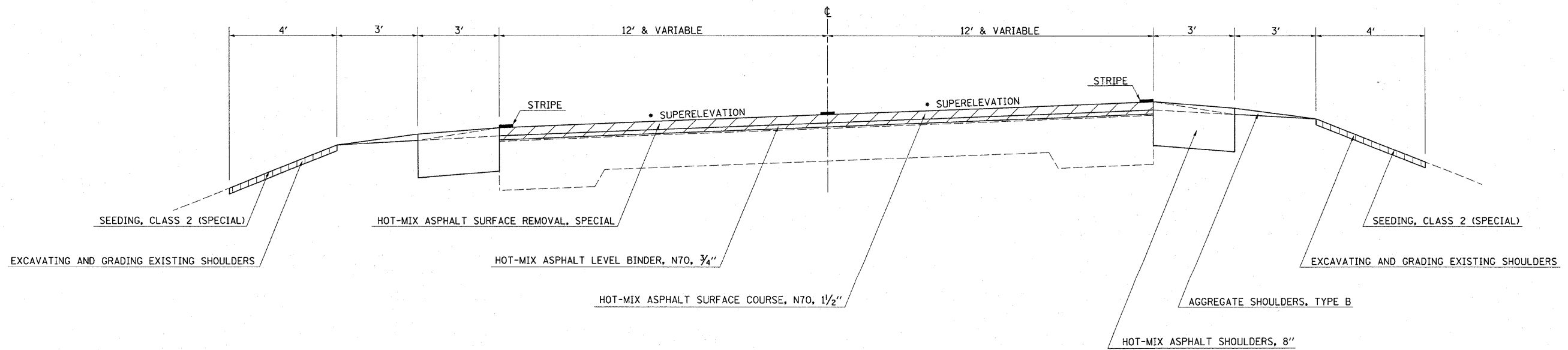
**PROPOSED TYPICAL CROSS SECTION**

STA. 458+33.00 TO STA. 461+57.81  
 STA. 470+73.81 TO STA. 473+58.00



**PROPOSED TYPICAL CROSS SECTION**

STA. 461+57.81 TO STA. 470+73.81



\* SEE SUPERELEVATION SCHEDULE FOR APPLICABLE RATES.

NOTE: NOT DRAWN TO SCALE

FILE NAME =	USER NAME = swartzw	DESIGNED -	REVISED -	<b>STATE OF ILLINOIS DEPARTMENT OF TRANSPORTATION</b>	<b>TYPICAL CROSS SECTIONS</b>			F.A.P. RTE.	SECTION	COUNTY	TOTAL SHEETS	SHEET NO.	
c:\pwwork\pwwork\swartzw\d0177578\d77447-shs-typicals.dgn		DRAWN -	REVISED -		SCALE: NA	SHEET NO. 2 OF 3 SHEETS	STA.	TO STA.	116	D7 HMA RESURF 2010-1	RICHLAND	31	5
		CHECKED -	REVISED -										
		DATE -	REVISED -										

CONTRACT NO. 74447  
 ILLINOIS FED. AID PROJECT