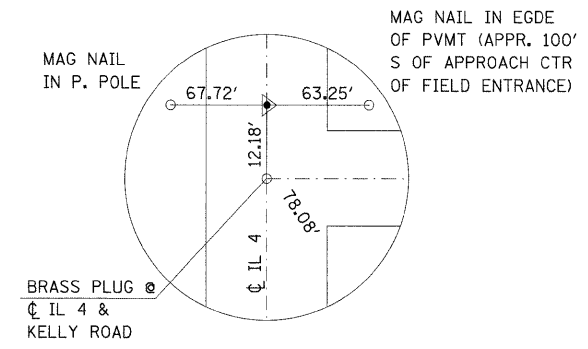
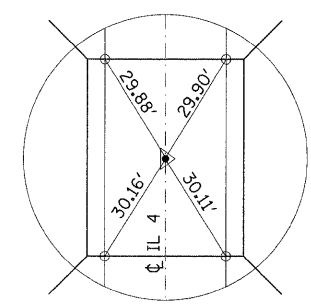


**TIE POINT # 301**  
PT STA 782+00.00



**TIE POINT # 302**  
PT STA 803+00.00



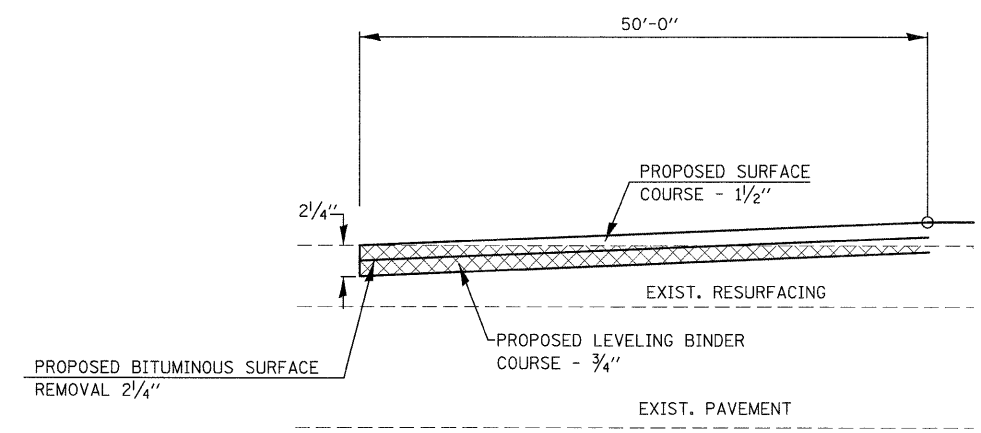
**TIE POINT # 300**  
PT STA 792+87.98  
MAG NAIL @ CTR OF BRIDGE

**BENCHMARK**

BM #1: RAN 3-6 IDOT  
DISK IN NW WINGWALL  
STA 793+15.13 20.68' LT  
ELEVATION = 454.84

NOTE: ALL TIES PULLED DIRECT

**BUTT JOINT**  
DRAWING NOT TO SCALE



FILE NAME =	USER NAME = gelnh	DESIGNED - HG	REVISED -	<b>STATE OF ILLINOIS DEPARTMENT OF TRANSPORTATION</b>	<b>TIE POINTS, BENCHMARKS, &amp; SURFACE REMOVAL DETAILS</b>	F.A.P. RTE.	SECTION	COUNTY	TOTAL SHEETS	SHEET NO.
at\pw\work\pwidot\gelinh\dms52514\plan02.dgn	DRAWN - HG	REVISED -	682			21BR, 21-I-1	RANDOLPH	77	10	
PLOT SCALE = 50.000' / IN.	CHECKED -	REVISED -	CONTRACT NO. 76126							
PLOT DATE = 1/22/2010	DATE -	REVISED -	FED. ROAD DIST. NO. ILLINOIS FED. AID PROJECT							
					SCALE: 1" = 20"	SHEET NO. OF SHEETS STA.		TO STA.		