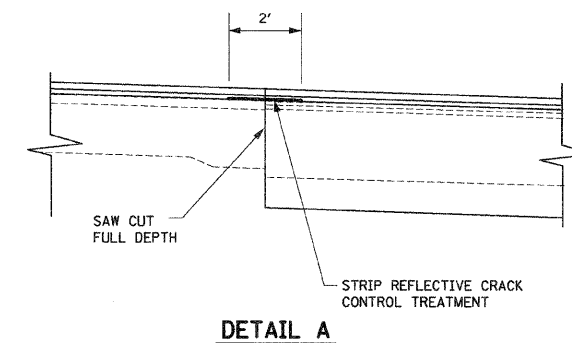
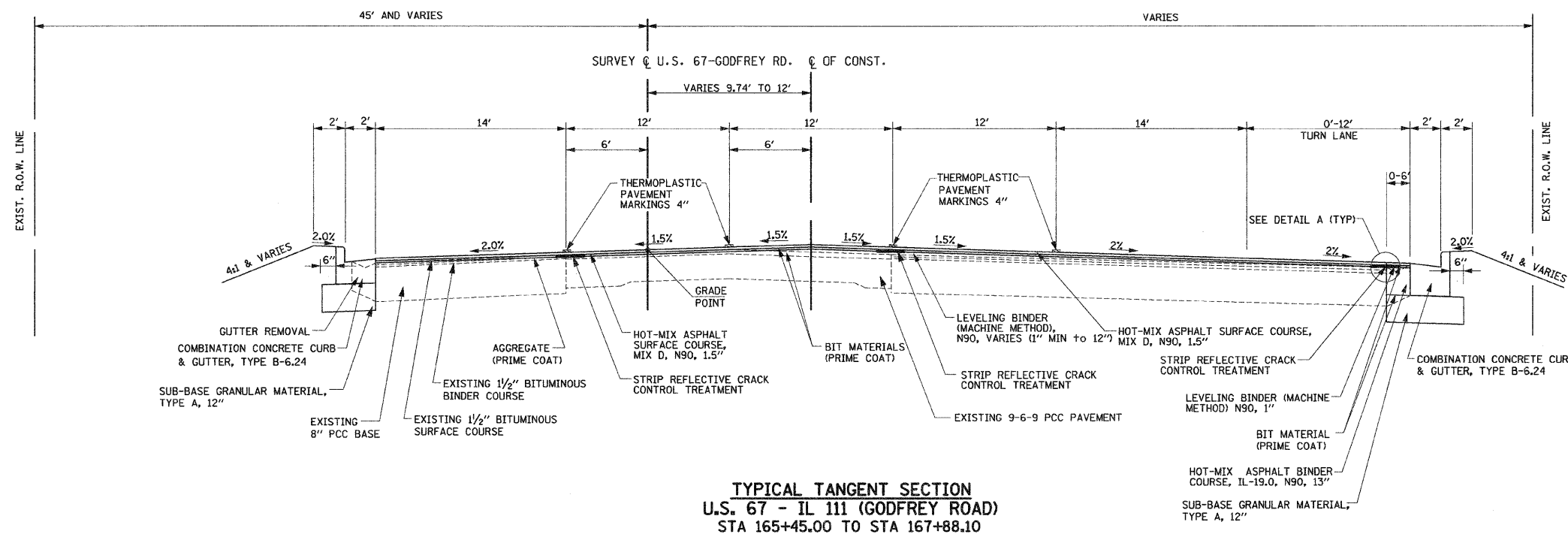


F.A.P. RTE.	SECTION	COUNTY	TOTAL SHEETS	SHEET NO.
310	60-16	MADISON	662	10
STA.		TO STA.		
FED. ROAD DIST. NO. 8		ILLINOIS	FED. AID PROJECT	
CONTRACT NO. 76311				



** PROPOSED COMBINATION CONCRETE CURB & GUTTER, TYPE B-6.24 FROM STA 167+40.00 TO 167+88.10

STRUCTURAL DESIGN DATA
U.S. 67 - IL 111 (GODFREY ROAD)

STRUCTURAL DESIGN TRAFFIC:	YEAR	2014
PV=	24521	SU= 626 MU= 939
ROAD/STREET CLASSIFICATION:	CLASS	I

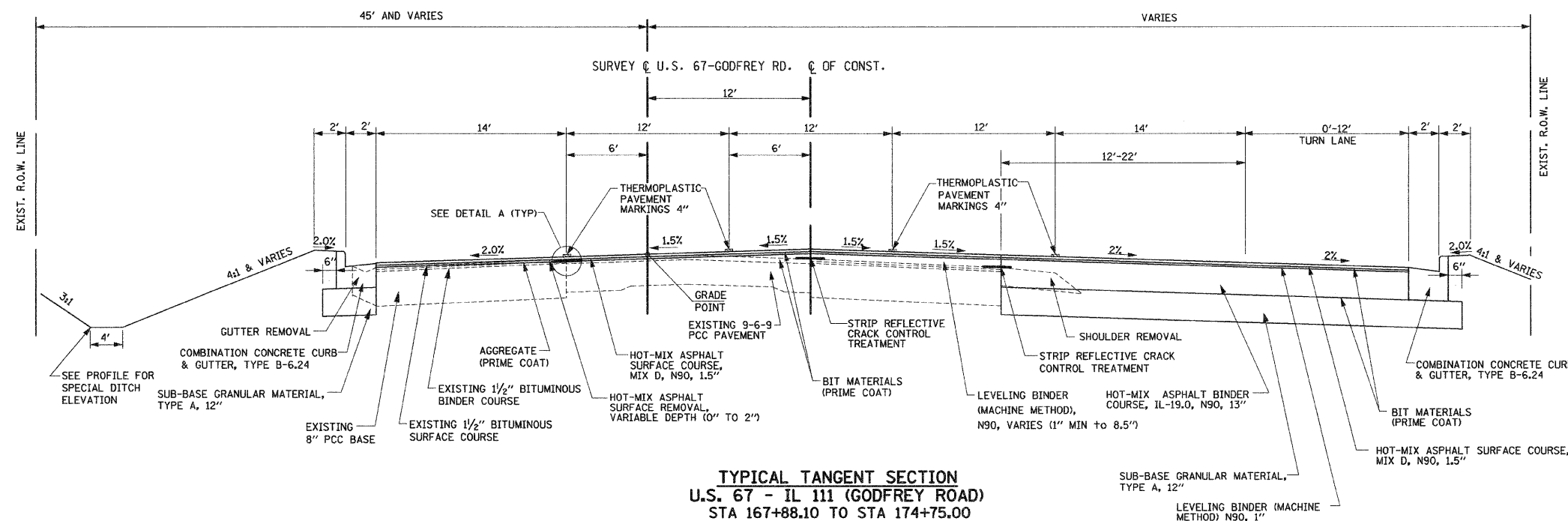
PERCENT OF STRUCTURAL DESIGN TRAFFIC IN DESIGN LANE:

P=	32	S=	45	M=	45
----	----	----	----	----	----

TRAFFIC FACTOR: ACTUAL TF= 4.85
MINIMUM TF= 4.27 AC TYPE= AC-20

SUBGRADE SUPPORT RATING:
SSR= POOR (STA 165+45 TO 167+71.74)
SSR= POOR (STA 167+71.74 TO 172+06.10)

USE: HOT-MIX ASPHALT SURFACE COURSE, 1.5"
LEVELING BINDER, 1"
HOT MIX ASPHALT BINDER COURSE, 13"



REVISIONS	
NAME	DATE

ILLINOIS DEPARTMENT OF TRANSPORTATION

TYPICAL SECTIONS

SCALE: NO SCALE
DATE: 09-04-09

DRAWN BY: U.J.
CHECKED BY: J.J.C.

E:\32867-3\roadway\111\111.dgn 9/4/2009 1:20:02 PM