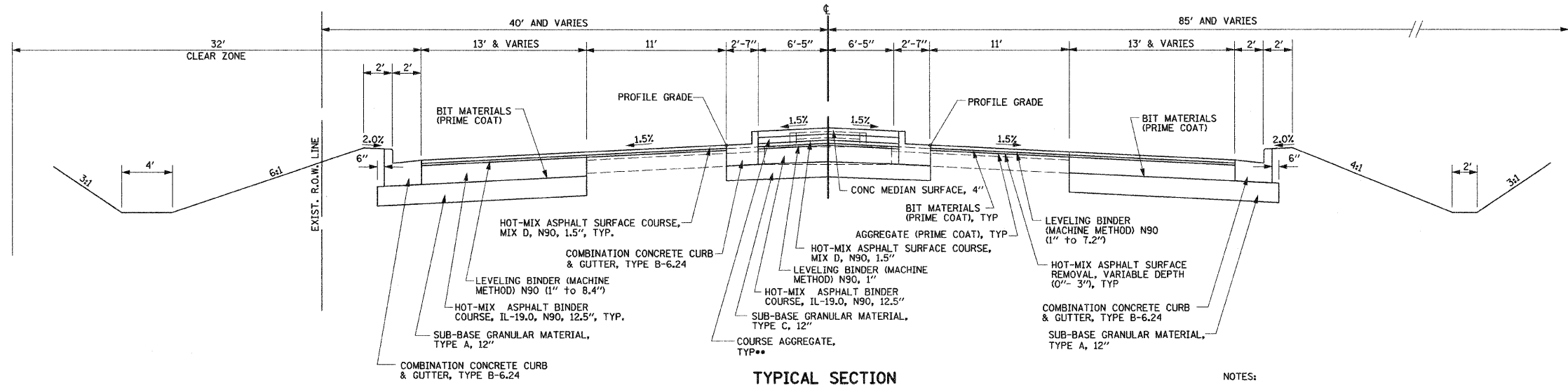
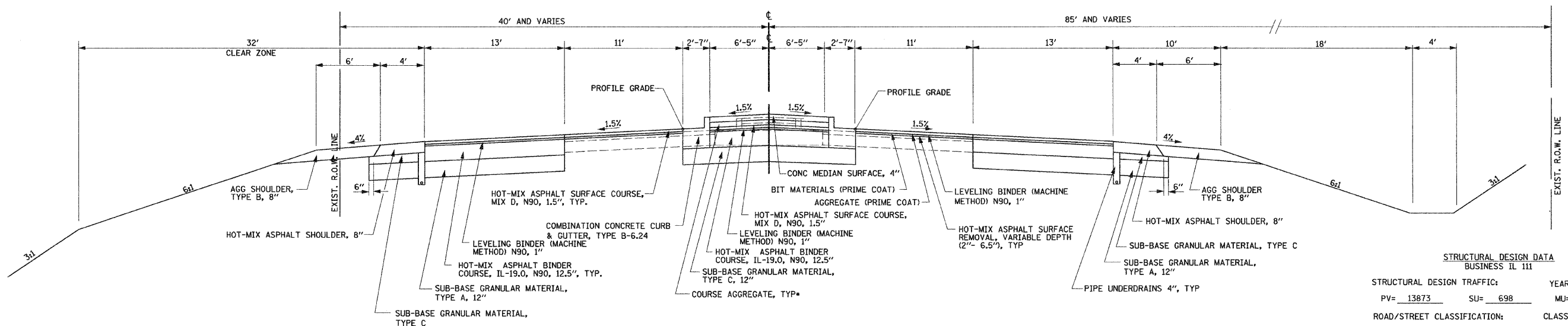


F.A.P. RTE.	SECTION	COUNTY	TOTAL SHEETS	SHEET NO.
310	60-16	MADISON	662	17
STA.		TO STA.		
FED. ROAD DIST. NO. 8		ILLINOIS FED. AID PROJECT		
CONTRACT NO. 76311				



TYPICAL SECTION
IL 111
STA 1172+56.10 TO STA 1174+86.83*

NOTES:
 SEE SCHEDULE FOR LOCATION OF CROSS ROAD 4" PIPE UNDERDRAINS
 * STA 1174+30.84 TO STA 1174+86.83 RT BEGIN HOT-MIX ASPHALT SHOULDER
 ** COST INCLUDED IN CONCRETE MEDIAN SURFACE, 4"

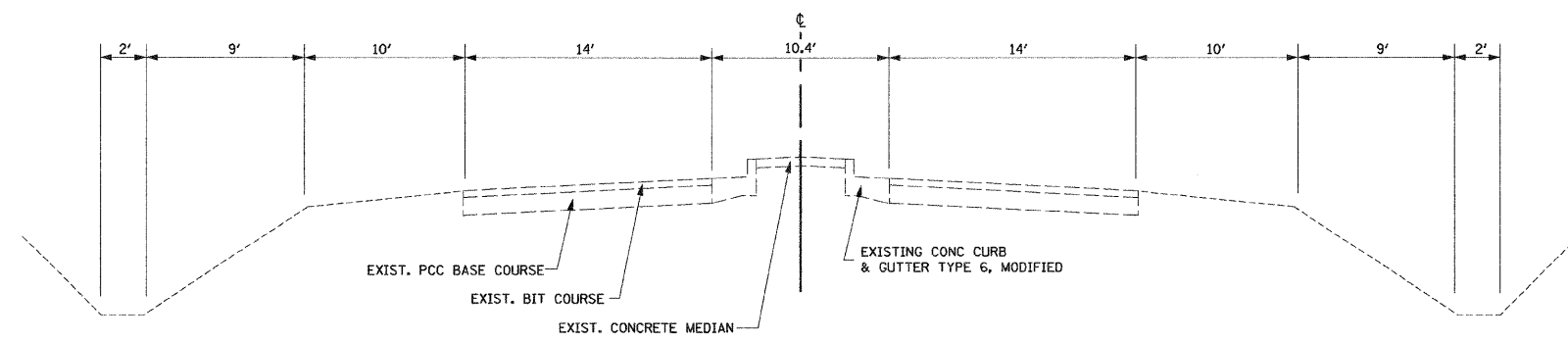


TYPICAL SECTION
IL 111
STA 1174+86.83 TO STA 1179+40.00

NOTES:
 SEE SCHEDULE FOR LOCATION OF CROSS ROAD 4" PIPE UNDERDRAINS
 * COST INCLUDED IN CONCRETE MEDIAN SURFACE, 4"

STRUCTURAL DESIGN DATA
 BUSINESS IL 111

STRUCTURAL DESIGN TRAFFIC:	YEAR	2014
PV= 13873	SU= 698	MU= 930
ROAD/STREET CLASSIFICATION:	CLASS	I
PERCENT OF STRUCTURAL DESIGN TRAFFIC IN DESIGN LANE:		
P= 32	S= 45	M= 45
TRAFFIC FACTOR:	ACTUAL TF=	4.88
MINIMUM TF= 4.27	AC TYPE=	20
SUBGRADE SUPPORT RATING:		
SSR= POOR	(STA 172+50.10 TO 180+00)	
USE: HOT-MIX ASPHALT PAVEMENT, (FULL DEPTH) 15" (SUB-BASE GRANULAR MATERIAL, TYPE A, 12")		



EXISTING TYPICAL SECTION
IL 111
STA 1172+56.10 TO STA 1180+00.00

REVISIONS	
NAME	DATE

ILLINOIS DEPARTMENT OF TRANSPORTATION

TYPICAL SECTIONS

SCALE: NO SCALE
 DATE: 09-04-09

DRAWN BY: U.J.
 CHECKED BY: J.J.C.