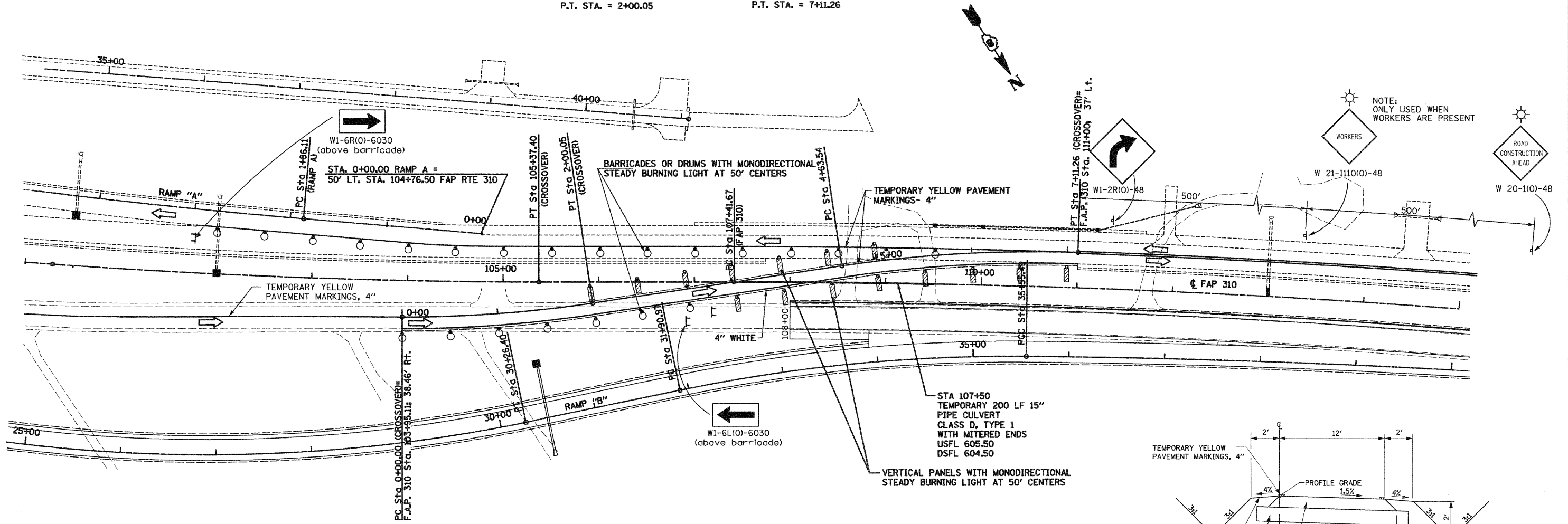
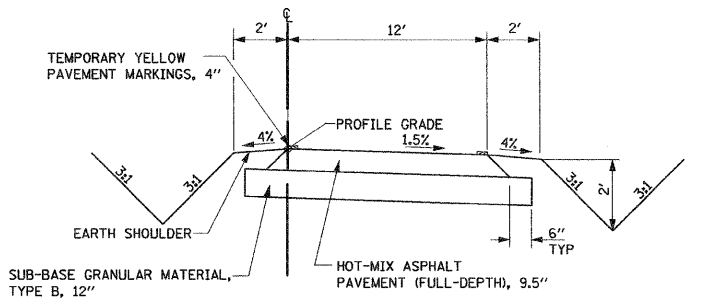


CROSS OVER CURVE DATA
 PI STA. = 1+00.21
 $\Delta = 8^\circ 29' 26''$ (LT)
 $D = 4^\circ 14' 39''$
 $R = 1,350.00'$
 $T = 100.21'$
 $L = 200.05'$
 $E = 3.71'$
 P.C. STA. = 0+00.00
 P.T. STA. = 2+00.05

CROSS OVER CURVE DATA
 PI STA. = 5+87.74
 $\Delta = 10^\circ 30' 49''$ (RT)
 $D = 4^\circ 14' 39''$
 $R = 1,350.00'$
 $T = 124.21'$
 $L = 247.72'$
 $E = 5.70'$
 P.C. STA. = 4+63.54
 P.T. STA. = 7+11.26

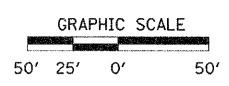
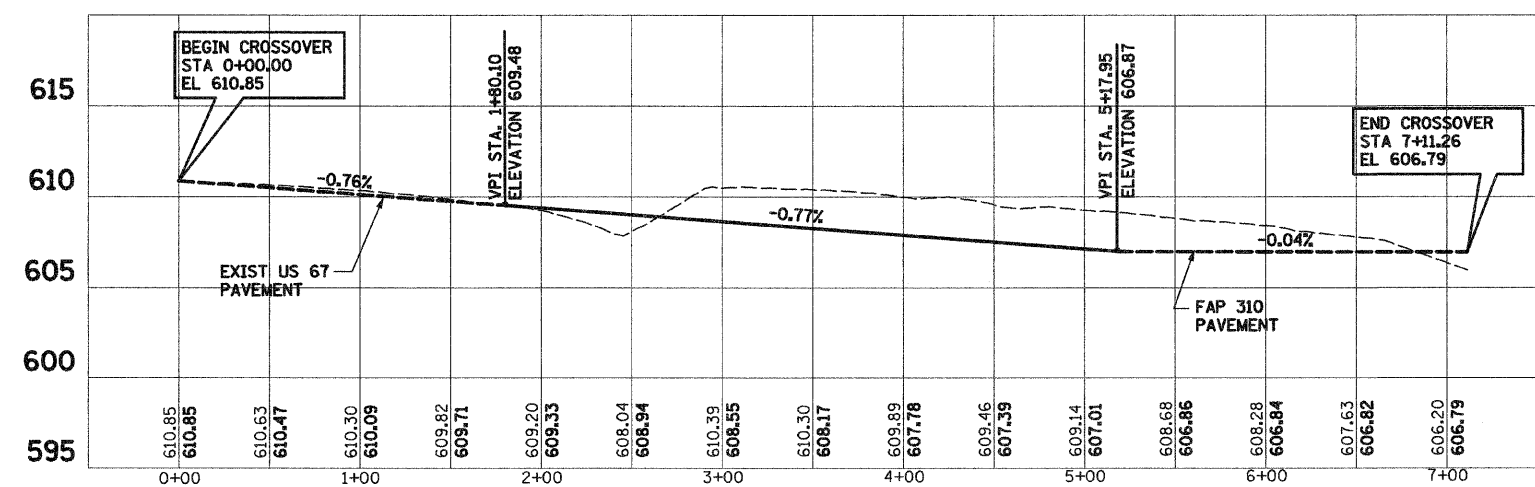


ADDITIONAL SIGNING AND TRAFFIC CONTROL SHALL BE IN ACCORDANCE WITH TRAFFIC CONTROL AND PROTECTION, SPECIAL I (SEE SHEET 94 FOR DETAILS)



TYPICAL SUPERELEVATED SECTION FOR CROSSOVER

- SYMBOLS**
- Sign
 - Barricade or drum with monodirectional steady burning light
 - Vertical panel with Monodirectional Steady Burning Lights
 - Type III barricade with Flashers
 - Flashing Light
 - Arrow Board
 - Directional Indicator Barricades



REVISIONS	
NAME	DATE

ILLINOIS DEPARTMENT OF TRANSPORTATION

CROSS OVER DETAIL NO. 1

SCALE: VERT. _____
 HORIZ. _____
 DATE: 09-04-09

DRAWN BY: T.W.C.
 CHECKED BY: J.J.C.