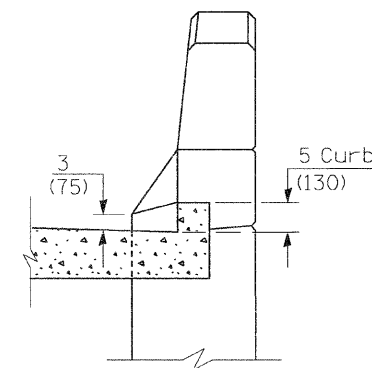
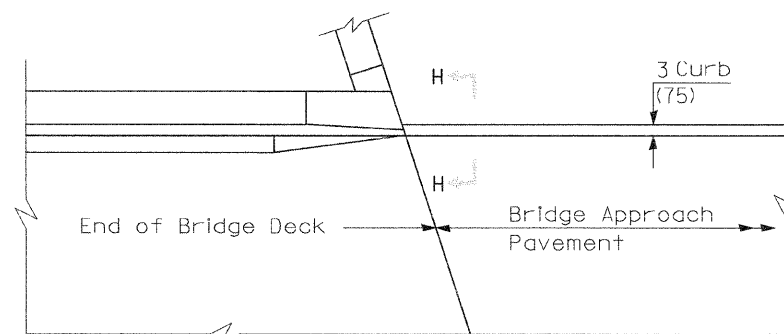


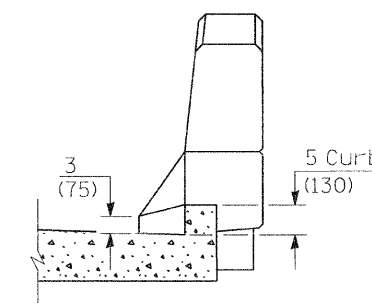
**PARAPET TO CURB TRANSITION
PILE BENT ABUTMENT**



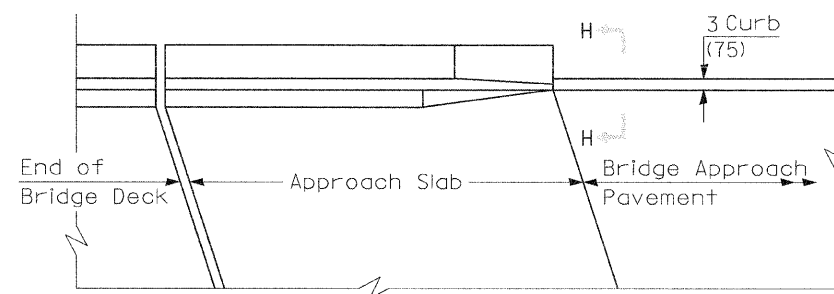
SECTION I - I



**PARAPET TO CURB TRANSITION
INTEGRAL ABUTMENT**



SECTION H - H



**PARAPET TO CURB TRANSITION
VAULTED ABUTMENT**

REVISIONS	
NAME	DATE

ILLINOIS DEPARTMENT OF TRANSPORTATION
**BRIDGE APPROACH
PAVEMENT DETAILS**
(Sheet 4 of 4)
SCALE: VERT. NO SCALE
HORIZ. DATE: 09-04-09
DRAWN BY : C.J.C.
CHECKED BY : J.L.G.