

F. A. RTE.	SECTION	COUNTY	TOTAL SHEETS	SHEET NO.
310	60-16	MADISON	662	199
STAL.		TO STA.		
FED. ROAD DIST. NO.		ILLINOIS	FED. AID PROJECT	
CONTRACT NO. 76311				

620

620

615

615

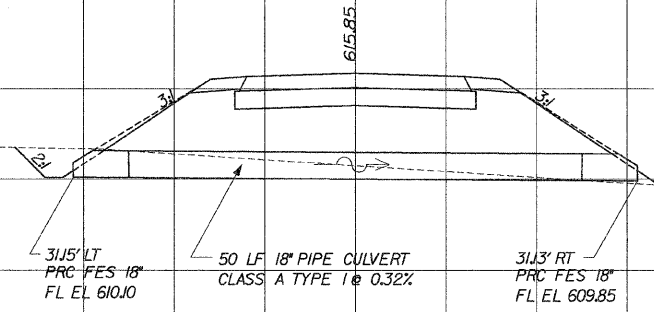
610

610

605

605

51+50.00
ACCESS ROAD 1



620

620

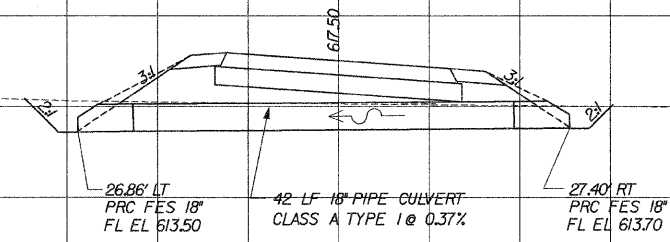
615

615

610

610

46+00.00
ACCESS ROAD 1



620

620

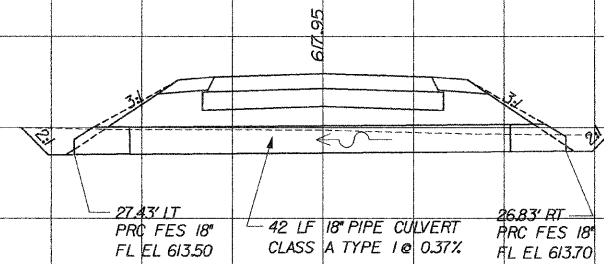
615

615

610

610

44+50.00
ACCESS ROAD 1



100

50

0

50

100

150

PIPE CULVERTS



SURVEY PLOTTED TEMPLATE AREAS CHECKED
NOTE BOOK NO.

SURVEY PLOTTED TEMPLATE AREAS CHECKED
NOTE BOOK NO.