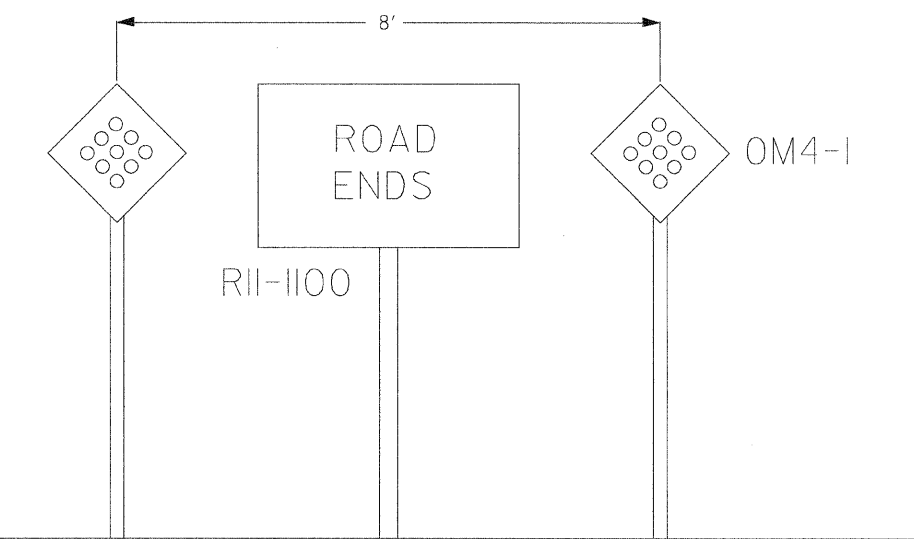
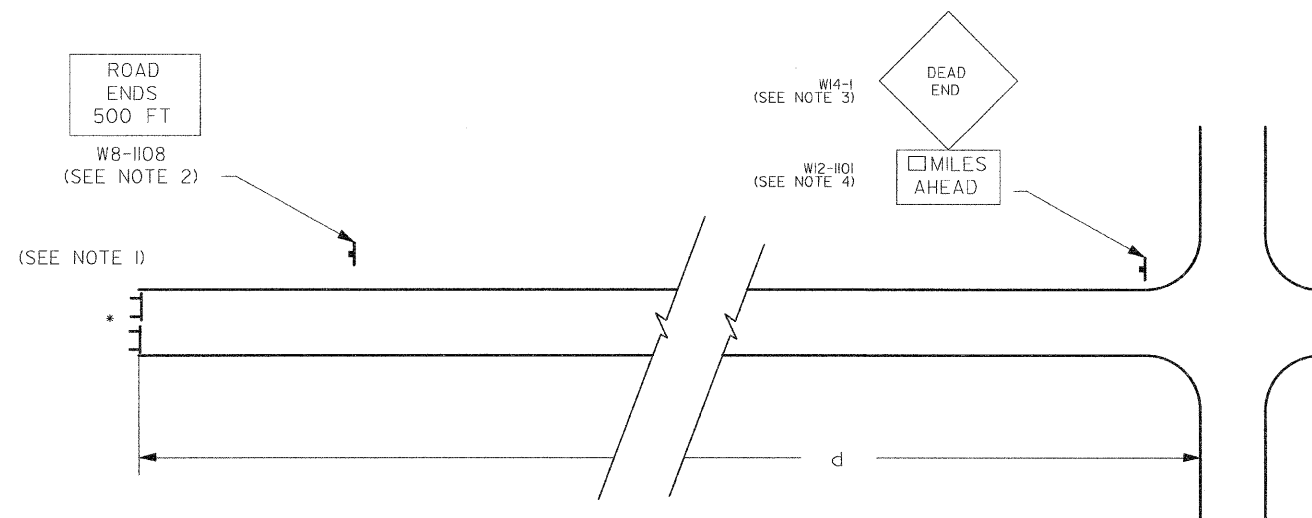


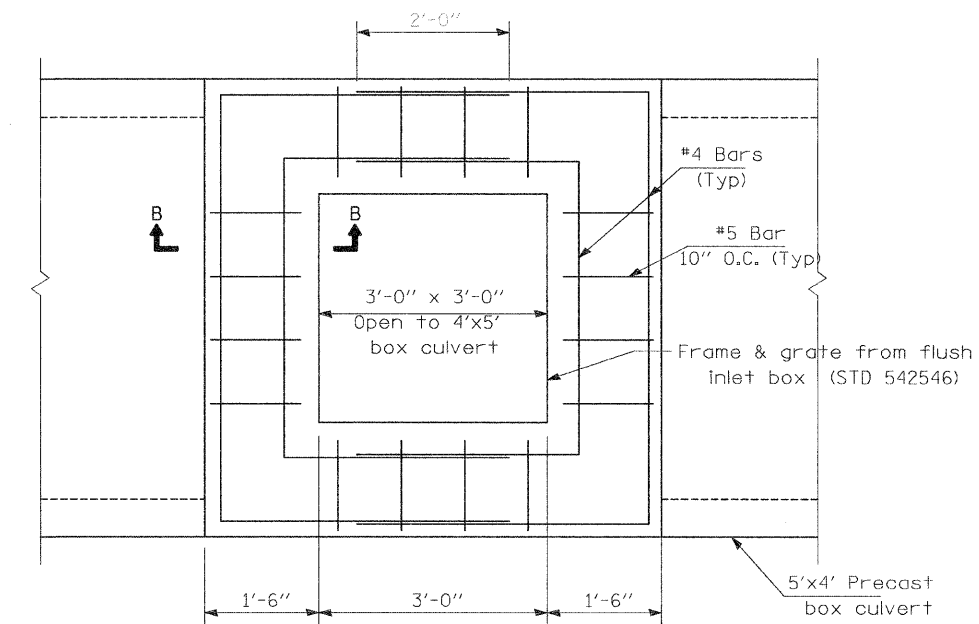
F.A.P. RTE.	SECTION	COUNTY	TOTAL SHEETS	SHEET NO.
310	60-16	MADISON	662	213
STA.		TO STA.		
FED. ROAD DIST. NO. 8		ILLINOIS FED. AID PROJECT		
CONTRACT NO. 76311				



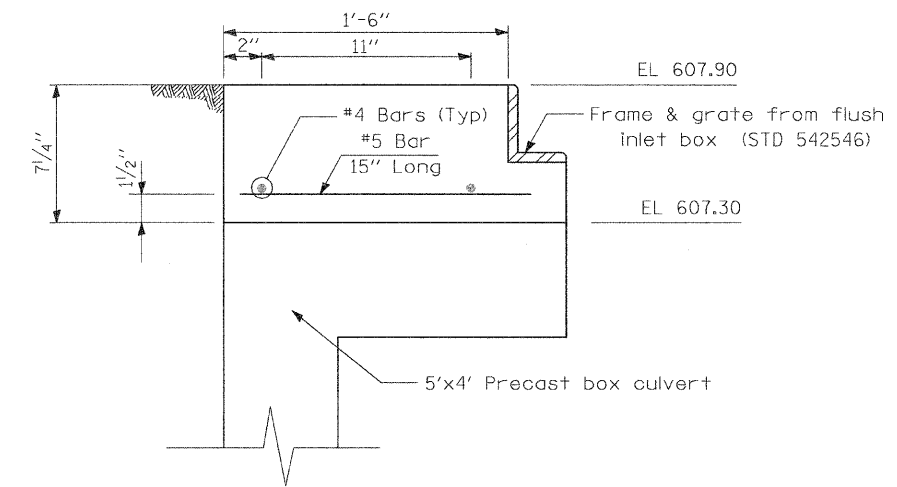
LOW VOLUME ROAD CLOSURE DETAIL  
NTS

NOTES:

1. IF THE ROAD ENDS AT THE RIGHT-OF-WAY LINE OF ANOTHER HIGHWAY OR WHERE SOME SIGNIFICANT HAZARD EXISTS BEYOND THE CLOSURE POINT, THE SIGNS MAY BE MOUNTED ON A TYPE III BARRICADE "FENCE". GUARDRAIL MAY BE USED IN LIEU OF OR IN CONJUNCTION WITH THE BARRICADE "FENCE" WHERE IT IS NECESSARY TO PREVENT DELIBERATE ENTRY ONTO ACCESS CONTROLLED RIGHT-OF-WAY OR AN EXTREME HAZARD EXISTS IMMEDIATELY BEYOND THE CLOSURE POINT. BARRICADES, WHEN USED, SHALL BE STRIPED RED AND WHITE AND FULLY REFLECTORIZED. IF PRACTICAL, OLD PAVEMENT SHOULD BE REMOVED TO SOME DISTANCE BEYOND THE CLOSURE POINT OR COVERED WITH DIRT TO MINIMIZE THE ILLUSION OF THE ROAD CONTINUING AND TO PROVIDE A REASONABLE SAFE RECOVERY AREA. THE MARKERS FOR THE END OF THE ROADWAY SHALL BE RED AND CONFORM WITH SECTION 3C-4 OF THE MUTCD.
2. USE WHERE "D" EXCEEDS 1,500 FEET OR WHERE SIGHT DISTANCE TO THE CLOSURE IS LESS THAN 500 FEET.
3. THE DEAD END SIGN (W14-1) SHOULD BE USED IN ALL CASES EXCEPT WHERE THE CLOSURE POINT IS VISIBLE FROM THE CROSSROAD.
4. WHERE THE POINT OF CLOSURE IS OVER 1 MILE FROM THE LAST CROSSROAD, A ----- MILES AHEAD PLATE (W21-1100) MAY BE USED.



PLAN



SECTION B-B

FLUSH INLET BOX FOR MEDIAN  
STANDARD 542546, (SPECIAL)

REVISIONS	
NAME	DATE

ILLINOIS DEPARTMENT OF TRANSPORTATION

## CONSTRUCTION DETAILS

SCALE: NO SCALE  
DATE: 09-04-09

DRAWN BY: U.J.  
CHECKED BY: J.J.C.